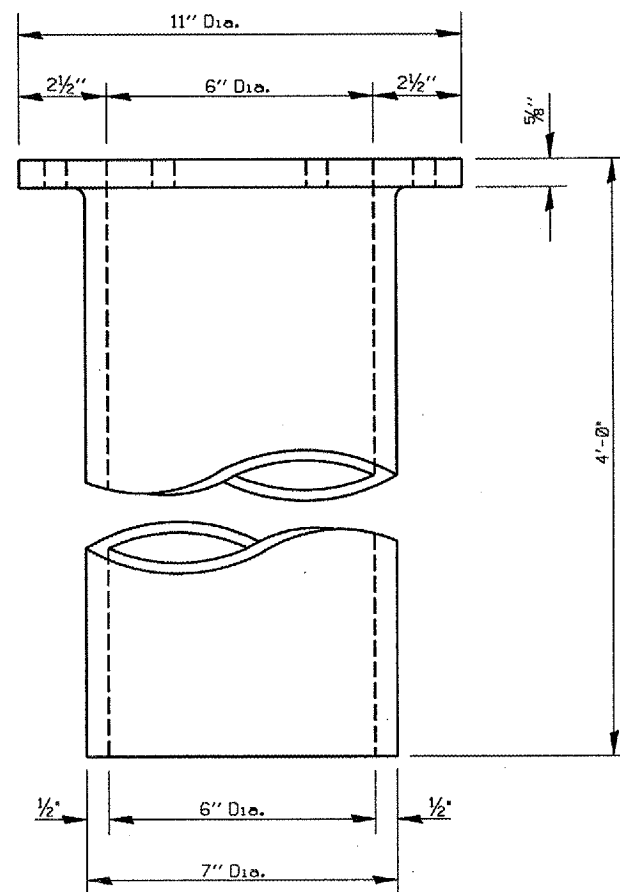
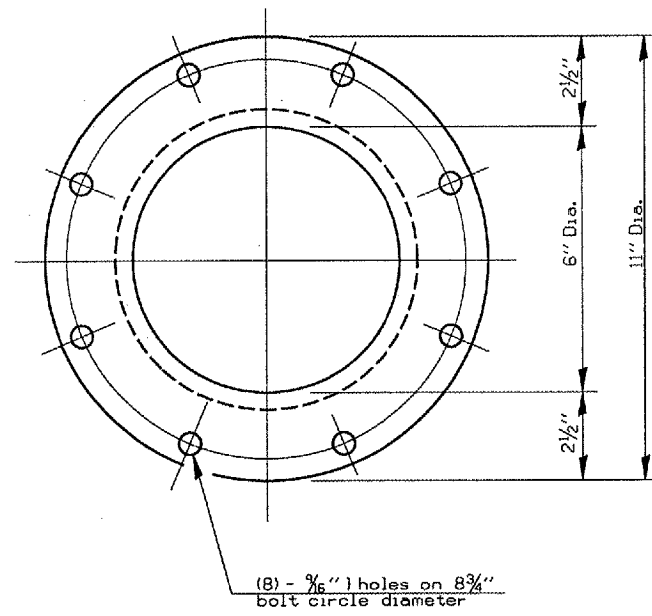
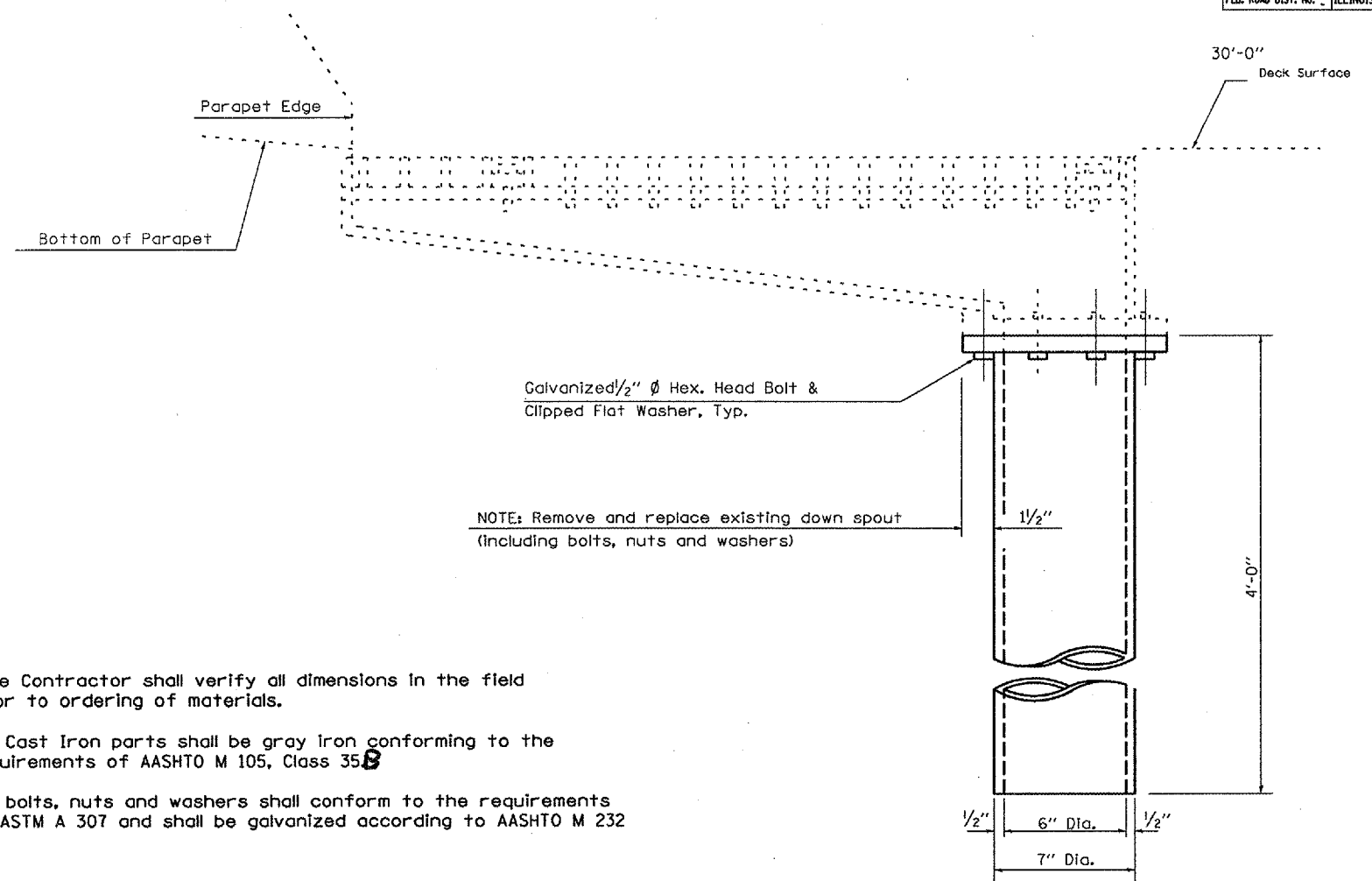


F.A.I. RTE.	SECTION	COUNTY	TOTAL SHEETS	SHEET NO.
412	(50-8VB)I	LASALLE	31	26
FED. ROAD DIST. NO. ILLINOIS				



DOWNSPOUT



DRAINAGE SCUPPER

NOTES: The Contractor shall verify all dimensions in the field prior to ordering of materials.

All Cast Iron parts shall be gray iron conforming to the requirements of AASHTO M 105, Class 35B

All bolts, nuts and washers shall conform to the requirements of ASTM A 307 and shall be galvanized according to AASHTO M 232

S.N. 050-0163 (SB)

Item	Unit	Total
Deck Drain Replacement	Each	2

S.N. 050-0164 (NB)

Item	Unit	Total
Deck Drain Replacement	Each	2

REVISIONS	
NAME	DATE

ILLINOIS DEPARTMENT OF TRANSPORTATION
DECK DRAIN DETAILS
 F.A.I. 412 OVER BNSF RAILROAD
 SECTION (50-8VB)I
 LASALLE COUNTY
 STA. 758 + 10

DATE 06/01/2005

DRAWN BY RLV

JULY 1, 2005 C:\PROJECTS\DMA\NO6\CN318\DETAILS.DGN