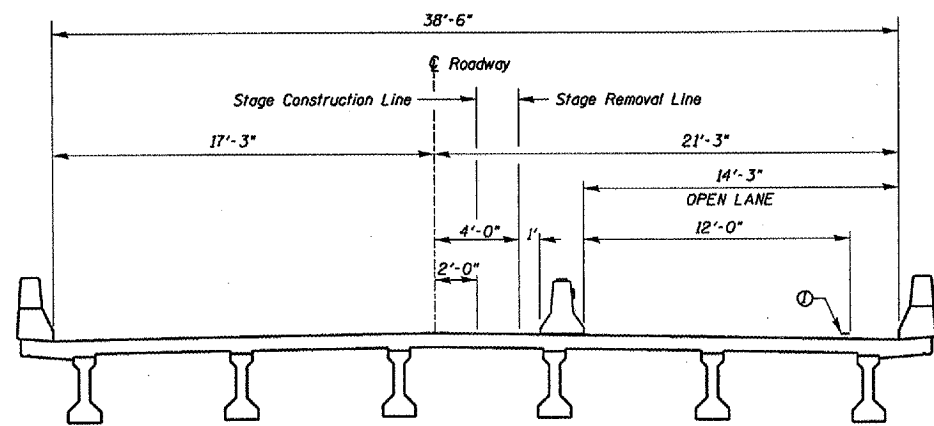
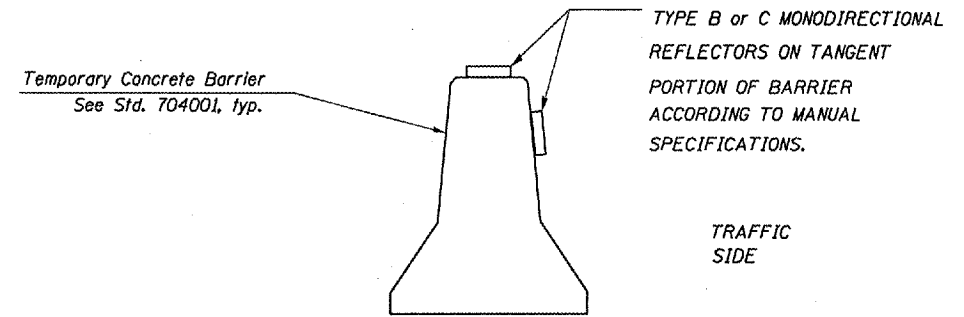
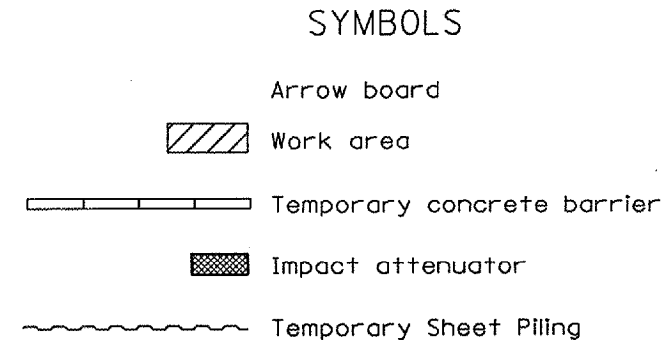


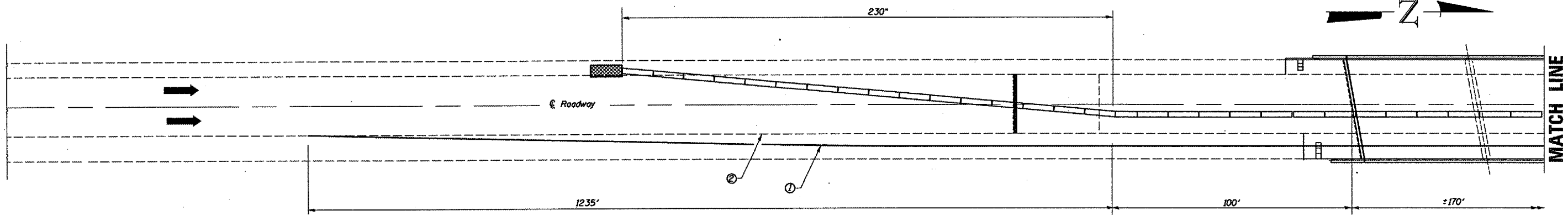
F.A.I. RTE.	SECTION	COUNTY	TOTAL SHEETS	SHEET NO.
412	(50-8VB)I	LASALLE	31	28
FED. ROAD DIST. NO. ILLINOIS				



CROSS SECTION
LOOKING IN DIRECTION OF TRAFFIC



TEMPORARY CONCRETE BARRIER



PLAN VIEW
NORTHBOUND LANE SHOWN
SOUTHBOUND LANE SIMILAR

GENERAL NOTES

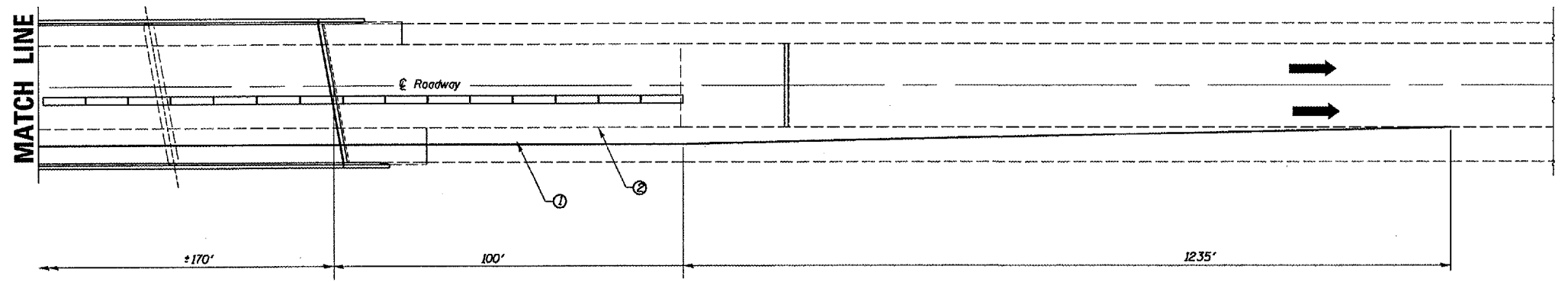
This Detail is used where at any time any vehicle, equipment, workers or their activities will encroach on the lane adjacent to the shoulder, or on the shoulder within 24" of the edge of pavement.

This Detail must always be used in combination with Standard 701402 (Special)

Monodirection reflectors as shown on the temporary concrete barrier shall not be paid for separately but shall be included with the cost of the temporary concrete barrier

① Reflectorized temporary pavement marking tape shall be placed throughout the work area as shown. The edge line shall be white for right lane closure and yellow for left lane closures.

② Pavement Marking Removal



PLAN VIEW
NORTHBOUND LANE SHOWN
SOUTHBOUND LANE SIMILAR

WORK THIS DETAIL WITH TRAFFIC CONTROL AND PROTECTION STANDARD 701402 (SPECIAL)

REVISIONS	
NAME	DATE

ILLINOIS DEPARTMENT OF TRANSPORTATION
STAGING & TRAFFIC CONTROL
STAGE I
F.A.I. 412 OVER BNSF RAILROAD
SECTION (50-8VB)I
LASALLE COUNTY
STA. 758 + 10
DATE 06/01/2005 DRAWN BY RLW

JULY 1, 2005
C:\PROJECTS\CMA\NOB\CN318\DETAILS.DGN