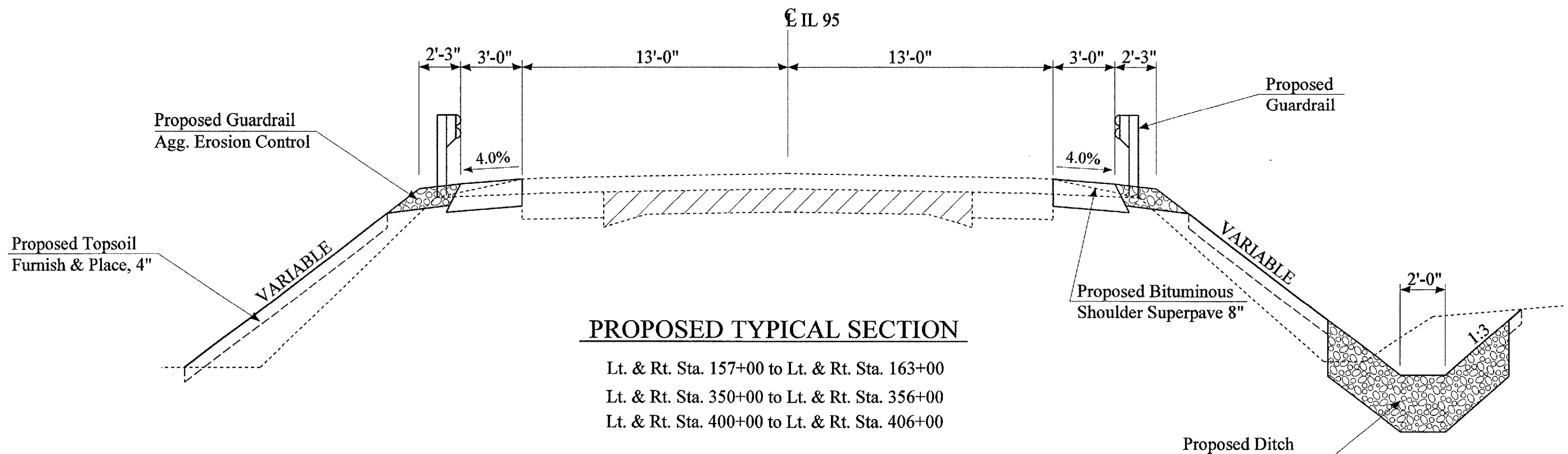
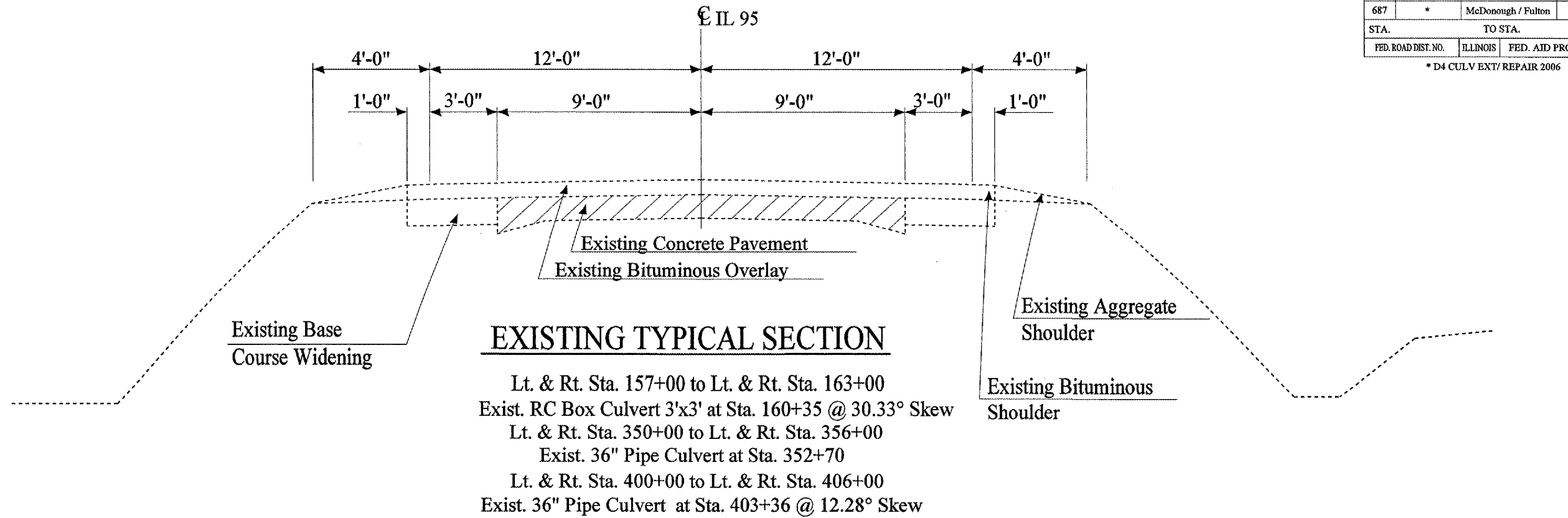


F.A.P. RTE.	SECTION	COUNTY	TOTAL SHEETS	SHEET NO.
687	*	McDonough / Fulton	58	6
STA.		TO STA.		
FED. ROAD DIST. NO.	ILLINOIS	FED. AID PROJECT		

\* D4 CULV EXT/ REPAIR 2006



LOCATION NO. 1,2 & 3  
 TYPICAL SECTIONS