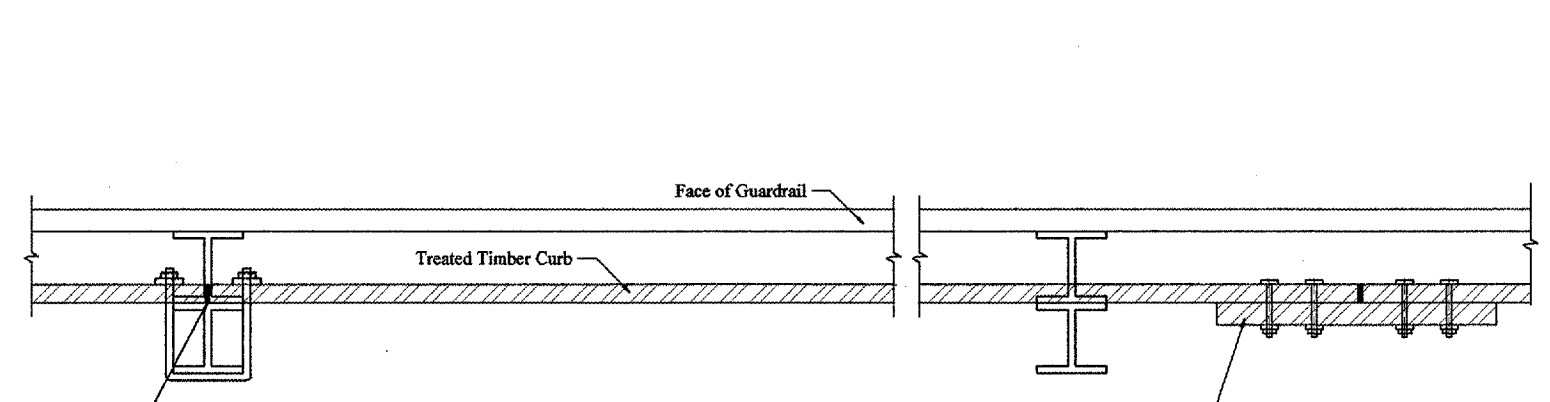


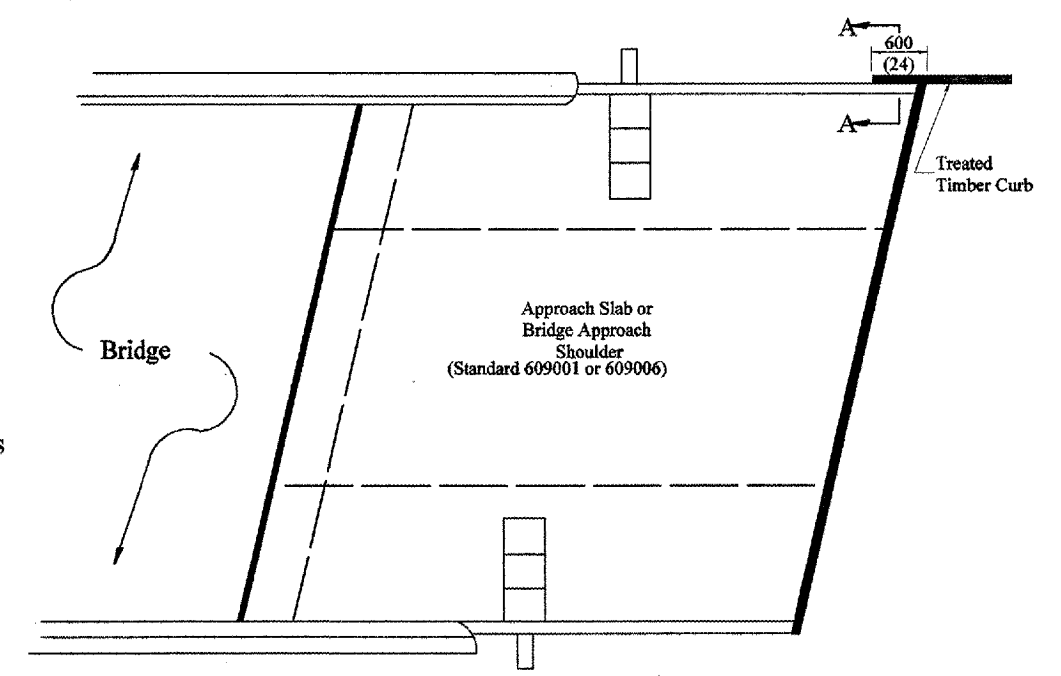
F.A.P. RTE.	SECTION	COUNTY	TOTAL SHEETS	SHEET NO.
687	*	McDonough / Fulton	58	55
STA.		TO STA.		
FED. ROAD DIST. NO.	ILLINOIS	FED. AID PROJECT		
* D4 CULV EXT/ REPAIR 2006				



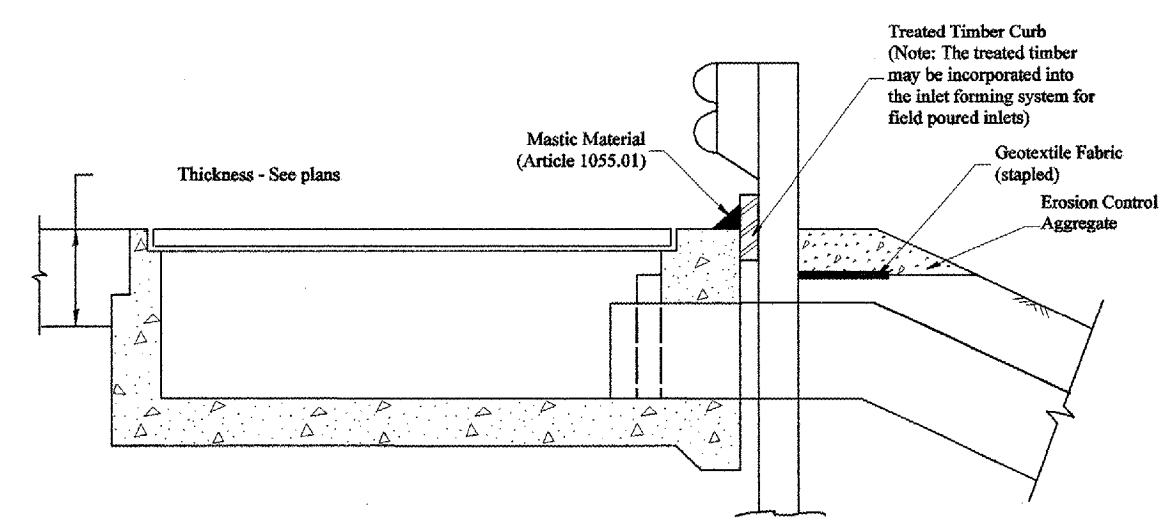
SPLICE LOCATED AT GUARDRAIL POST
M12(Φ) galvanized U-bolt with 1/2 galvanized U-bolt with nut & washer

SPLICE LOCATED BETWEEN GUARDRAIL POSTS
treated timber splice plate 50x300 (2x12), actual size 40+290 (1 1/2 x 11 1/2), 600 (24) long with 8 evenly spaced M12 (1/2) galvanized bolts with nuts & washers.

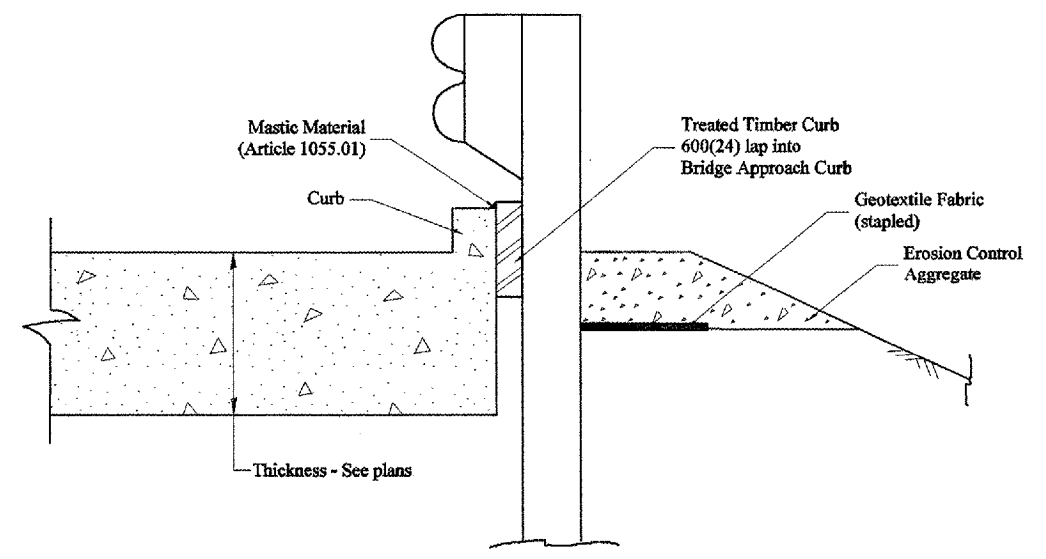
DETAIL A
(Typical Treated Timber Splices)



PLAN VIEW
APPROACH SLAB OR BRIDGE APPROACH SHOULDER
(STANDARD 609001 or 609006)



TYPICAL SECTION WITH EROSION CONTROL CURB
AT INLETS TYPE E & F (STANDARD 610001)



SECTION A-A
TYPICAL SECTION WITH EROSION CONTROL CURB
AT BRIDGE APPROACH CURB
(STANDARD 609001 OR 609006)

All dimensions are in millimeters (inches) unless otherwise noted.

ILLINOIS DEPARTMENT OF TRANSPORTATION	
DISTRICT CADD STANDARD	
GUARDRAIL EROSION CONTROL TREATMENTS	
CADD STD NO. 630101-D4(2)	SHEET 2 OF 2
SCALE: NOT DRAWN TO SCALE	DRAWN BY CADD
	CHECKED BY

SSDATESS

DGN-ONLY