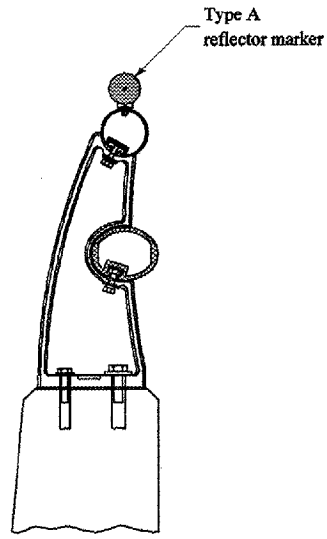


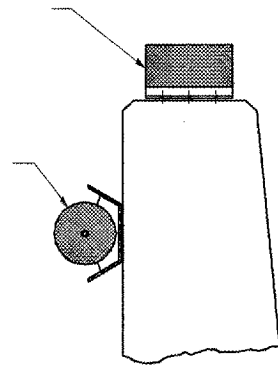
F.A.P. RTE.	SECTION	COUNTY	TOTAL SHEETS	SHEET NO.
687	*	McDonough / Fulton	58	58
STA.		TO STA.		
FED. ROAD DIST. NO.	ILLINOIS	FED. AID PROJECT		

* D4 CULV EXT/ REPAIR 2006



TYPICAL MOUNTING DETAIL FOR BRIDGE RAIL REFLECTOR

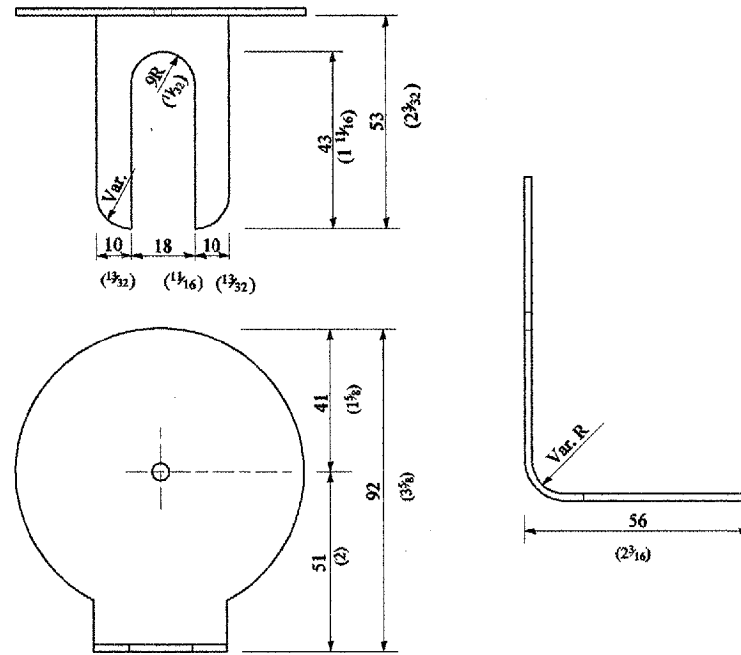
Type B or C reflector marker (type C shown)



Type B or C reflector marker (type B shown)

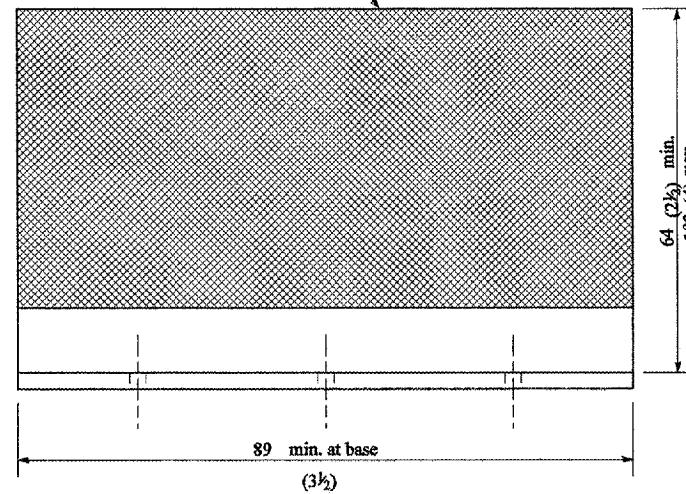
TYPICAL MOUNTING DETAIL FOR BARRIER WALL REFLECTOR

REFLECTOR MOUNTING



REFLECTOR MARKER TYPE A

Min. reflective area 4,194 mm² (6 1/2 Sq. in.) each side. May be rectangular or slight trapezoid.

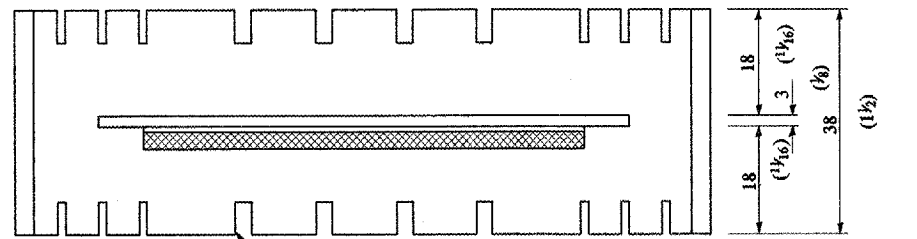
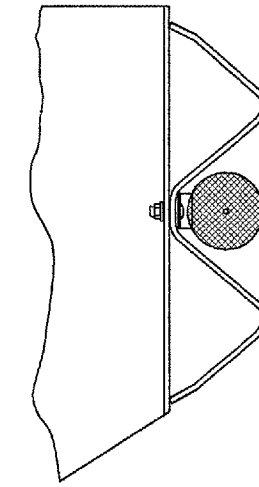


REFLECTOR MARKER TYPE C

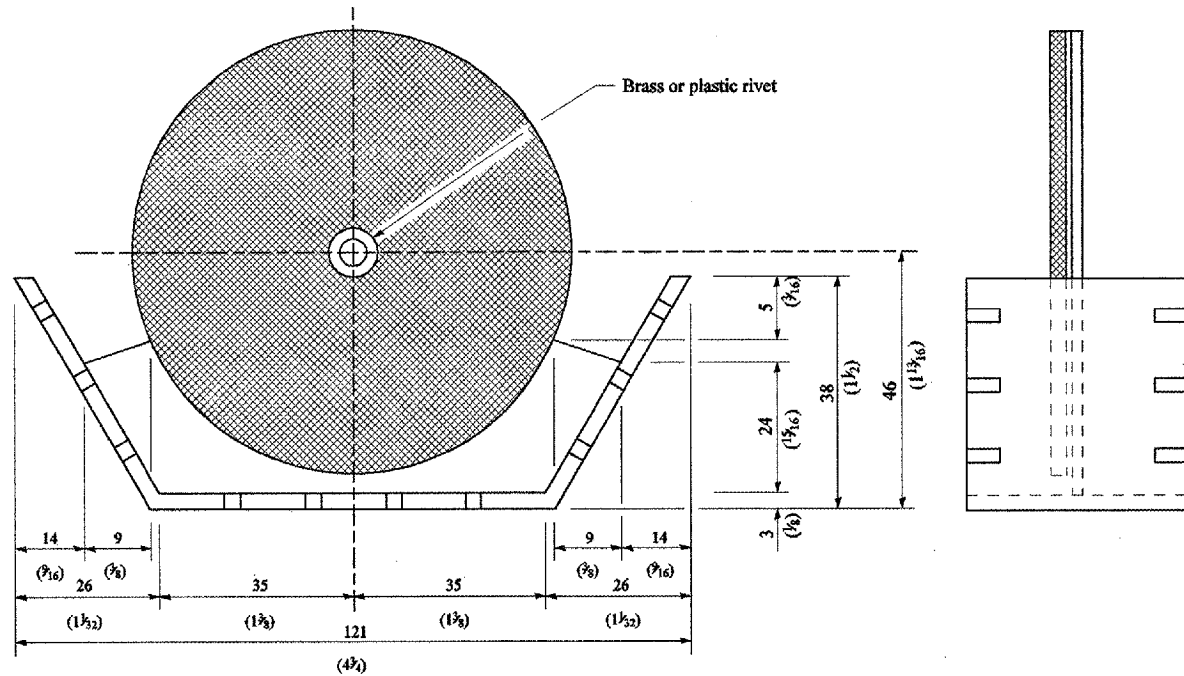
3 min. adhesive weep holes or slots each side, variable spacing.

Minimum total area of base 4,516 mm² (7.0 Sq. in.)

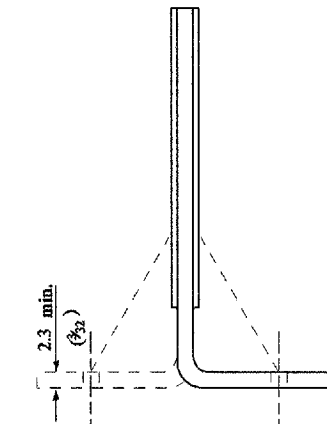
TYPICAL GUARDRAIL MOUNTING WITH REFLECTOR MARKER TYPE A



Adhesive weep slots or holes equally spaced on both sides



REFLECTOR MARKER TYPE B



Cross section may be "T" or "L" shaped and may have side supports at ends.

REFLECTORS

All dimensions are in millimeters (inches) unless otherwise noted.

ILLINOIS DEPARTMENT OF TRANSPORTATION	
DISTRICT CADD STANDARD	
GUARDRAIL AND BARRIER WALL DELINEATION	
CADD STD. NO. 635101-D4	SHEET 3 OF 3
SCALE: NOT DRAWN TO SCALE	DRAWN BY CADD
	CHECKED BY