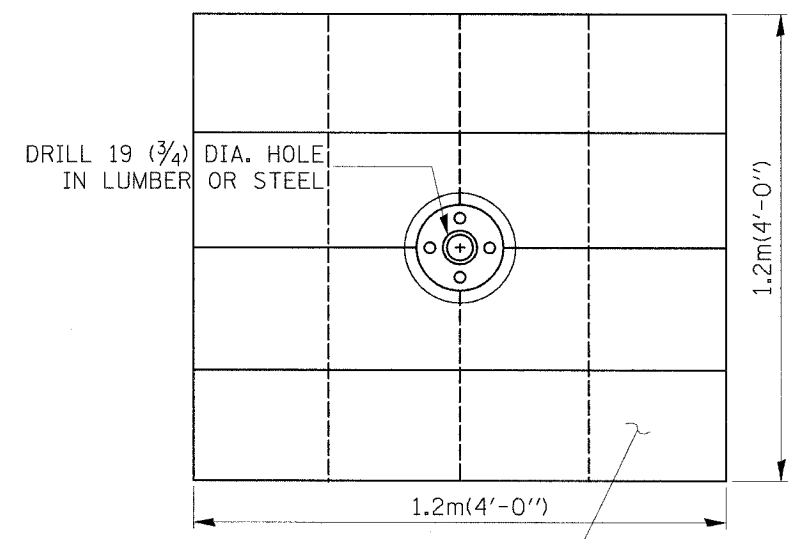
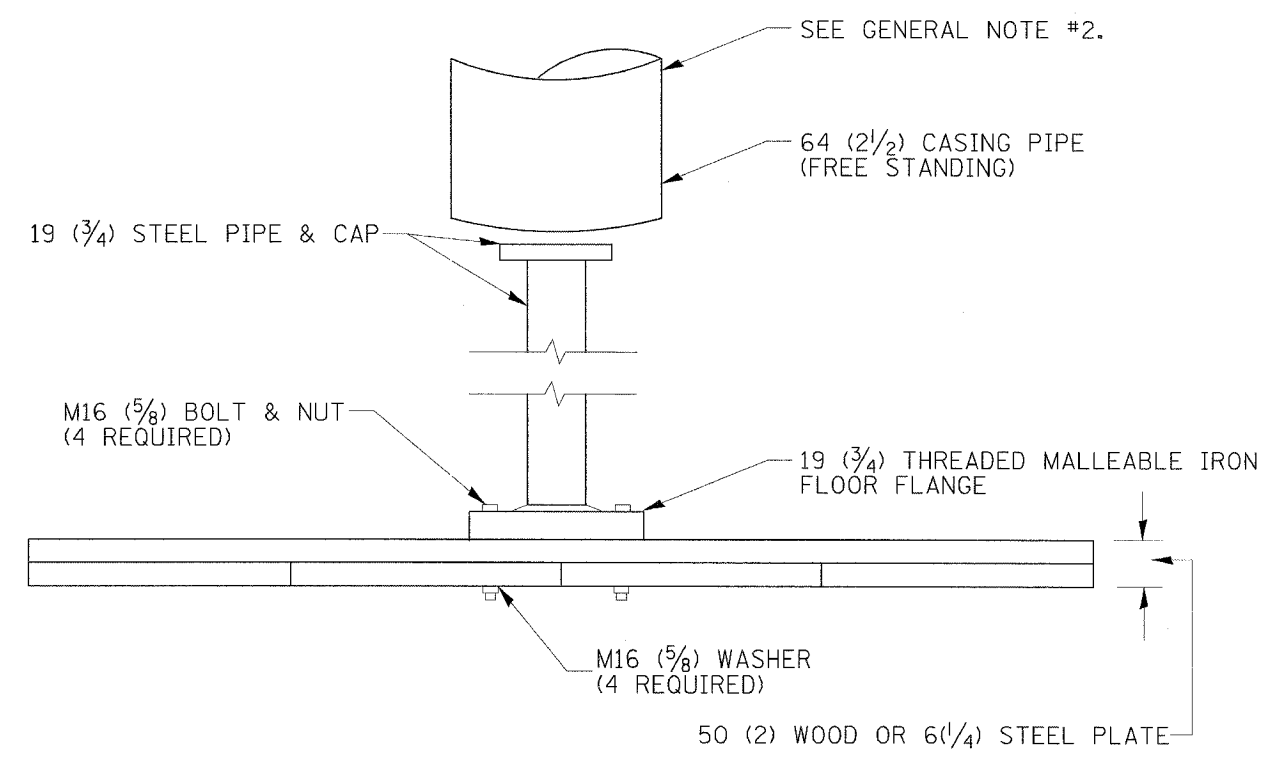


68452

F.A.P. RTE.	SECTION	COUNTY	TOTAL SHEETS	SHEET NO.
315	155-21A	McDONOUGH	55	28
STA.	TO STA.			
FED. ROAD DIST. NO. 4	ILLINOIS	FED. AID PROJECT		



SOUND LUMBER - 25(1) x 300(12) NAILED TOGETHER OR 6(1/4) THICK BY 1.2m(4') SQUARE STEEL PLATE

**GENERAL NOTES:**

1. Settlement Platform shall be in accordance with the applicable portions of Article 204.06 of the Standard Specifications.
2. Do Not install casing pipe until after one section of 19 mm(3/4") has been covered with earth. The casing pipe should not rest on platform.

All dimensions are in millimeters (Inches) unless otherwise noted.

ILLINOIS DEPARTMENT OF TRANSPORTATION  
DISTRICT CADD STANDARD

DATE	REVISIONS	BY
1-1-97	RENUM. L-5.04, NEW REVISION BOX, REVISED NOTES, REVISED TITLE BOX	T.P.
4-14-99	ADDED "CASING PIPE" REQUIREMENT	J.A.
5-19-99	CORRECTIONS TO CASING PIPE	J.A.
8-23-01	UPDATE FOR NEW SPEC	M.A.

**SETTLEMENT PLATFORM**  
CADD STD. 205101-D4  
SCALE: NOT DRAWN TO SCALE  
DATE \*\*DATE\*\*  
DRAWN BY CADD  
CHECKED BY

DESIGNER NOTES:  
1. SEE SOILS REPORT AND BUREAU OF MATERIALS FOR USAGE, LOCATIONS, AND SETTLEMENT RATES.  
2. CONSIDER USE ON BRIDGE EMBANKMENT AND OTHER SETTLEMENT SENSITIVE FILLS.  
3. THIS DRAWING ALLOWS FOR WOODBASE PLATE OPTION.

\$\$\$DATE\$\$\$