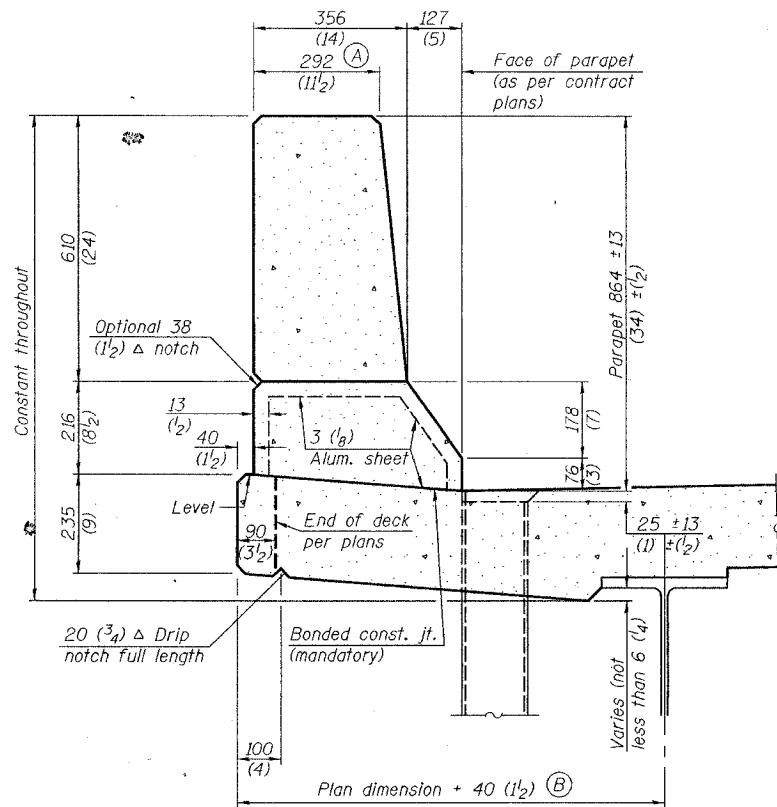


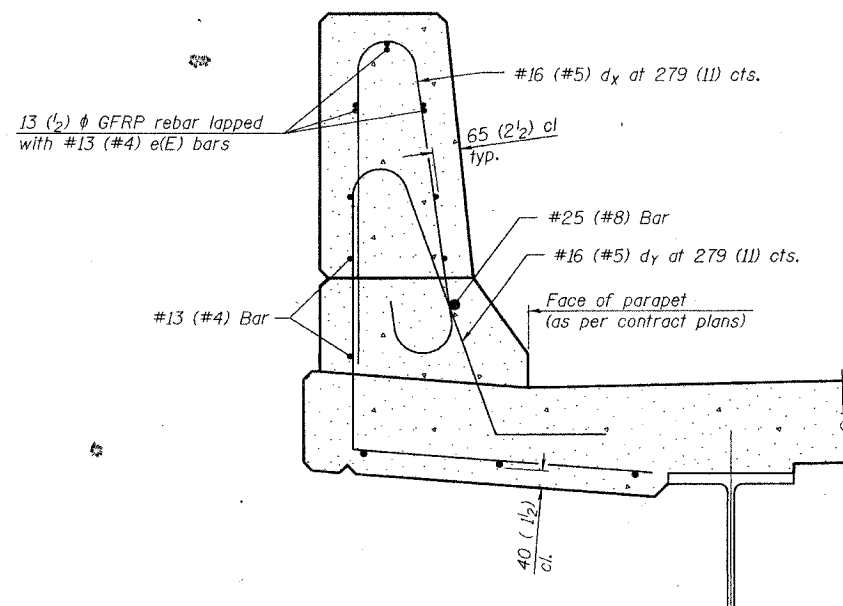
STATE OF ILLINOIS  
DEPARTMENT OF TRANSPORTATION

ROUTE NO.	SECTION	COUNTY	TOTAL SHEETS	SHEET NO.	SHEET NO.
FAP 310	B1B-1	MORGAN	114	7A.	
FED. ROAD DIST. NO. 7		ILLINOIS	FED. AID PROJECT		

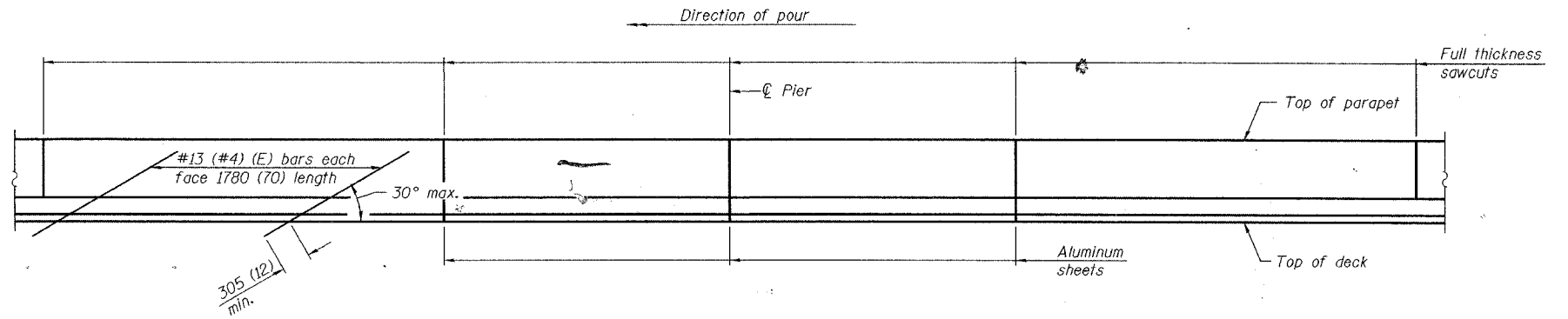
Contract # 72528



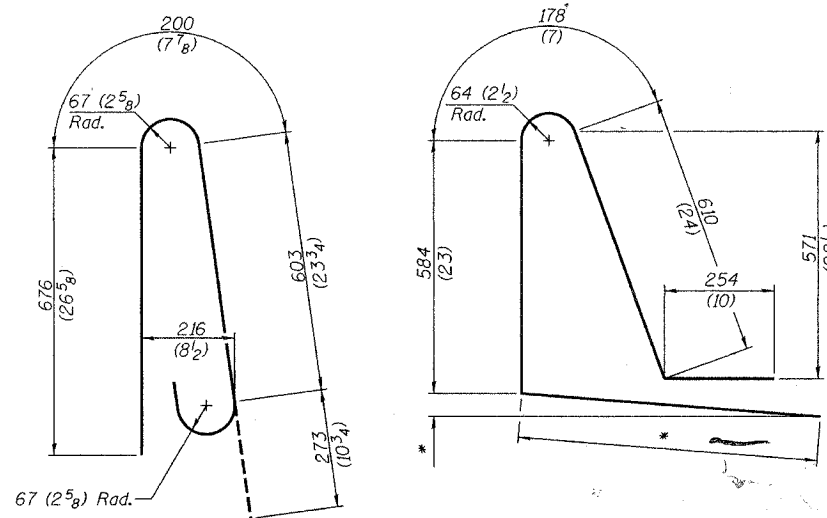
**SECTION**  
(Showing dimensions)



**SECTION**  
(Showing required reinforcement)

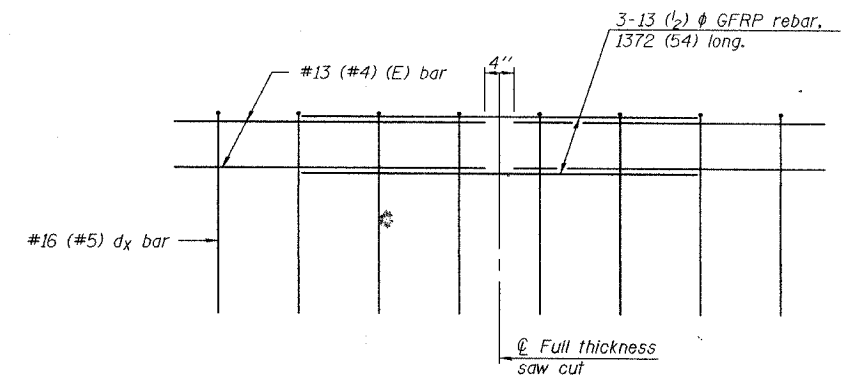


**ELEVATION**  
(Showing parapet joints and typical stiffening reinforcement between joints)



**BAR dx(e)**

**BAR dx(e)**  
\* Per contract plans



**GFRP REBAR STIFFENING DETAIL**  
(Place as shown in parapet section)

**GENERAL NOTES**

All dimensions shall remain the same as shown on contract plans, except dimensions A and B which are to be revised as shown to provide additional clearance. Additional concrete needed to revise dimension A and B = 0.0422 m<sup>3</sup>/m (.0165 cu. yds./ft.) of parapet. Place aluminum sheet in curb portion at and near piers. Full thickness saw cut at all other locations. Adjust/add joint locations to maintain 3 to 6 meter (10 to 20 foot) spacing.

**CONCRETE PARAPET  
SLIPFORMING OPTION**

Added Sheet 11-1-05