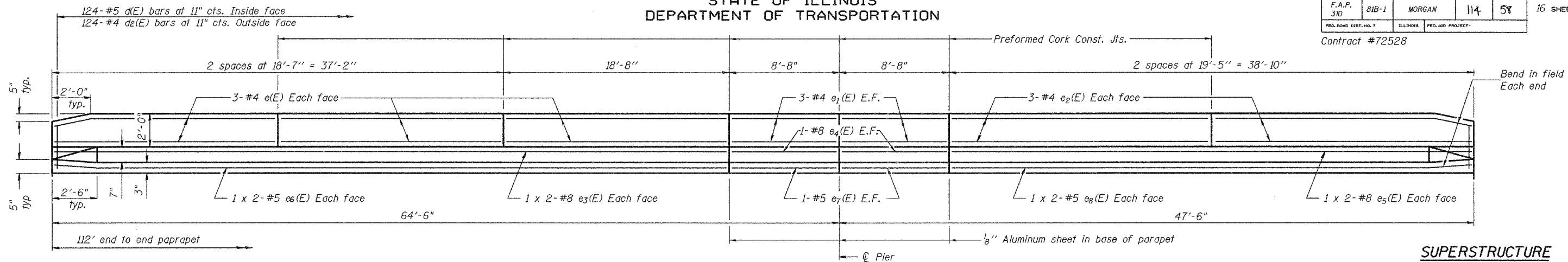


STATE OF ILLINOIS
DEPARTMENT OF TRANSPORTATION

| | | | | | |
|----------------------------|------------------|------------------|----------------|-------------------|--------------------------|
| ROUTE NO. F.A.P. 310 | SECTION 81B-1 | COUNTY MORGAN | STATION 144 | SHEET 58 | SHEET NO. 7 16 SHEETS |
| FED. ROAD DIST. NO. 7 | | ILLINOIS | | FED. AID PROJECT- | |

Contract #72528



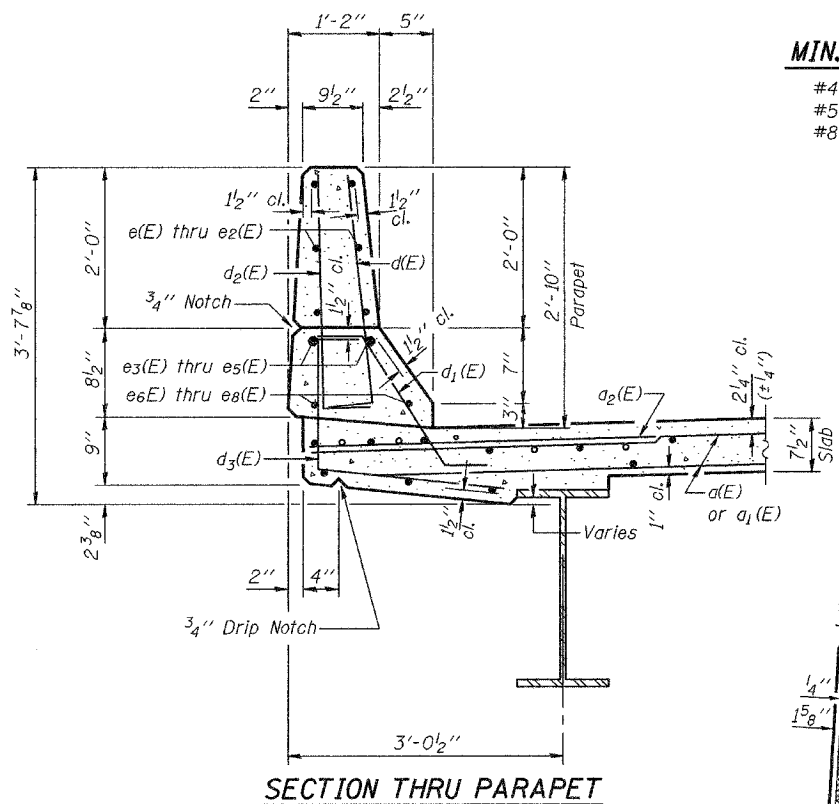
INSIDE ELEVATION OF PARAPET

SUPERSTRUCTURE
BILL OF MATERIAL

| Bar | No. | Size | Length | Shape |
|----------------------------------|-----|----------|---------|-------|
| d(E) | 392 | #5 | 23'-0" | — |
| d1(E) | 392 | #5 | 19'-6" | — |
| d2(E) | 224 | #6 | 4'-0" | — |
| b(E) | 192 | #5 | 29'-2" | — |
| b1(E) | 43 | #6 | 38'-0" | — |
| b2(E) | 210 | #5 | 23'-8" | — |
| d(E) | 248 | #5 | 3'-0" | — |
| d1(E) | 236 | #5 | 2'-5" | — |
| d2(E) | 248 | #4 | 3'-0" | — |
| d3(E) | 248 | #4 | 3'-8" | — |
| d4(E) | 12 | #5 | 2'-2" | — |
| e(E) | 36 | #4 | 18'-4" | — |
| e1(E) | 24 | #4 | 8'-5" | — |
| e2(E) | 24 | #4 | 19'-2" | — |
| e3(E) | 8 | #8 | 29'-6" | — |
| e4(E) | 8 | #8 | 8'-5" | — |
| e5(E) | 8 | #8 | 21'-0" | — |
| e6(E) | 8 | #5 | 28'-8" | — |
| e7(E) | 8 | #5 | 8'-5" | — |
| e8(E) | 8 | #5 | 20'-2" | — |
| m(E) | 4 | #6 | 18'-10" | — |
| m1(E) | 4 | #6 | 22'-4" | — |
| m2(E) | 6 | #6 | 19'-6" | — |
| m3(E) | 6 | #6 | 23'-0" | — |
| m4(E) | 12 | #6 | 9'-6" | — |
| m5(E) | 12 | #6 | 8'-4" | — |
| m6(E) | 10 | #6 | 7'-1" | — |
| m7(E) | 4 | #6 | 2'-8" | — |
| s(E) | 92 | #5 | 6'-10" | — |
| s1(E) | 92 | #4 | 8'-10" | — |
| v(E) | 84 | #5 | 3'-4" | — |
| Reinforcement Bars, Epoxy Coated | | Pound | 39,890 | |
| Concrete Superstructure | | Cu. Yds. | 164.8 | |

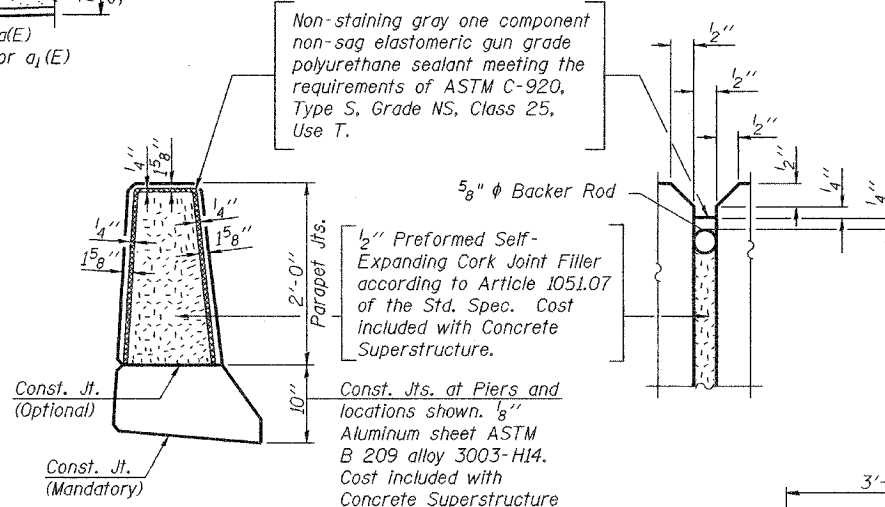
MIN. BAR LAPPS

#4 bars = 1'-4"
#5 bars = 1'-8"
#8 bars = 3'-5"

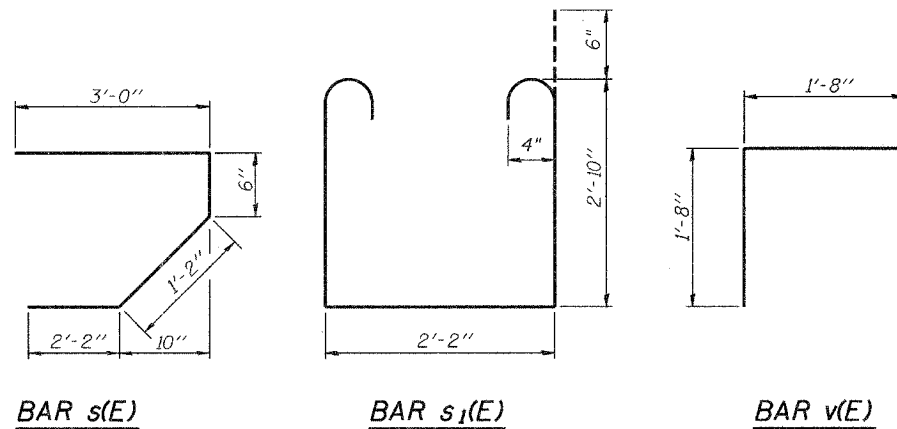
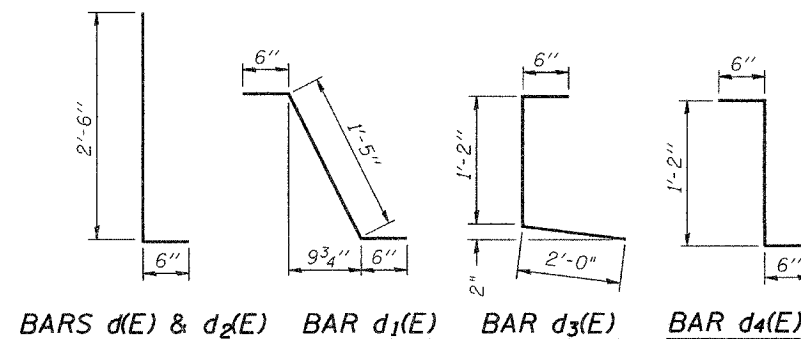


SECTION THRU PARAPET

Non-staining gray one component non-sag elastomeric gun grade polyurethane sealant meeting the requirements of ASTM C-920, Type S, Grade NS, Class 25, Use T.



PARAPET JOINT DETAILS



Reinforcement bars designated (E) shall be epoxy coated.
Bars indicated thus 1 x 3-#5 etc. indicates 1 line of bars with 3 lengths per line.

SUPERSTRUCTURE DETAILS
F.A.P. ROUTE 310 - SECTION 81B-1
MORGAN COUNTY
STATION 140+34.43
STRUCTURE NO. 069-0504

| | |
|----------|-----------------|
| DESIGNED | A.B.G. |
| CHECKED | W.A.B. |
| DRAWN | DMC Frank Lowry |
| CHECKED | A.B.G & W.A.B. |

September 30, 2005
EXAMINED *Thomas J. Demasak*
PASSED *Ralph E. Anderson*
ENGINEER OF BRIDGE DESIGN
ENGINEER OF BRIDGES AND STRUCTURES