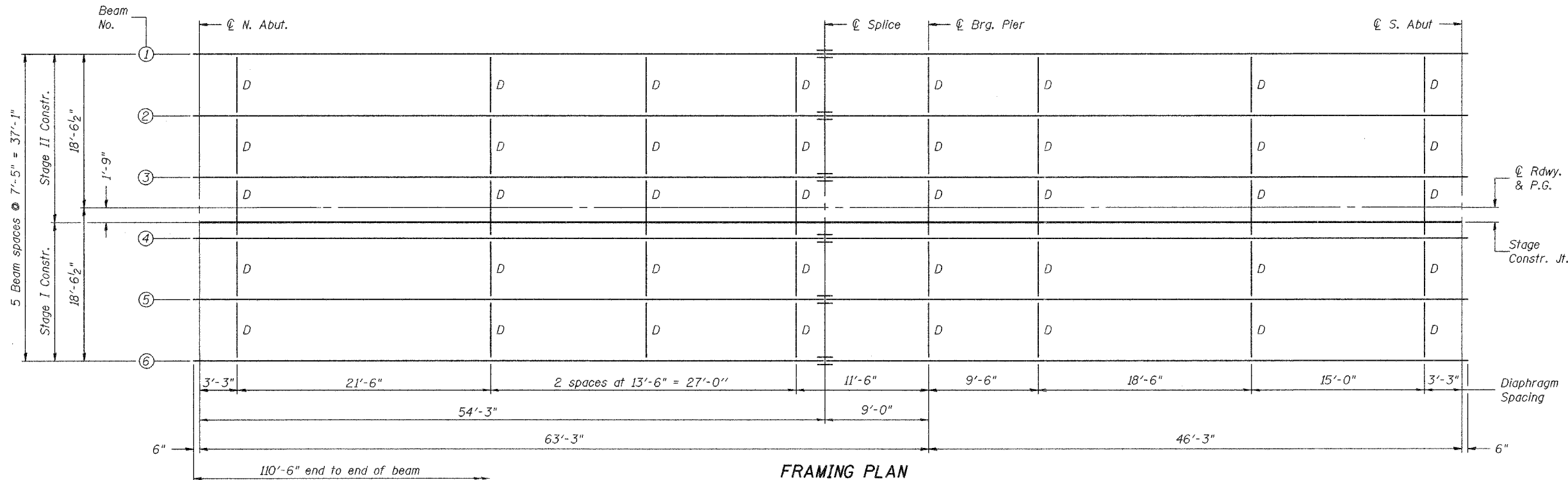


STATE OF ILLINOIS
DEPARTMENT OF TRANSPORTATION

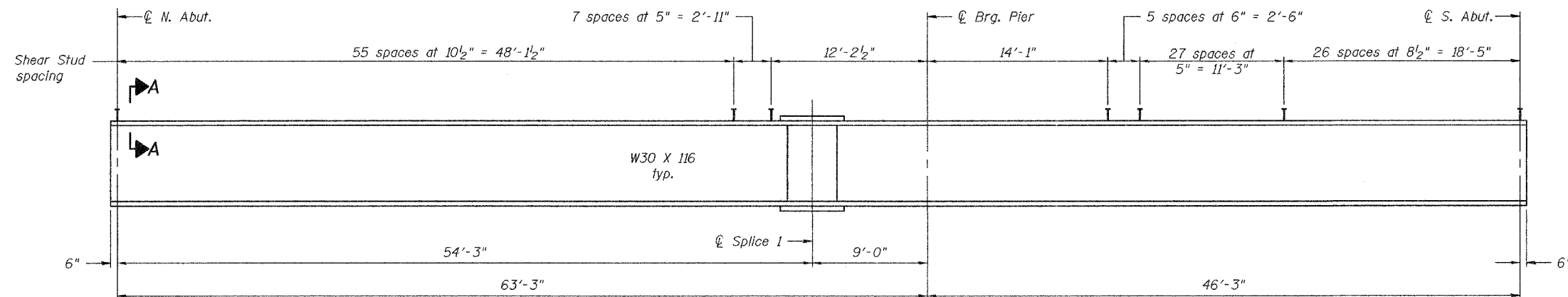
ROUTE NO. F.A.P. 310	SECTION 81B-1	COUNTY MORGAN	STATION 114	SHEET 60	SHEET NO. 9 16 SHEETS
FED. ROAD DIST. NO. 7		ILLINOIS		FED. AID PROJECT-	

Contract #72528

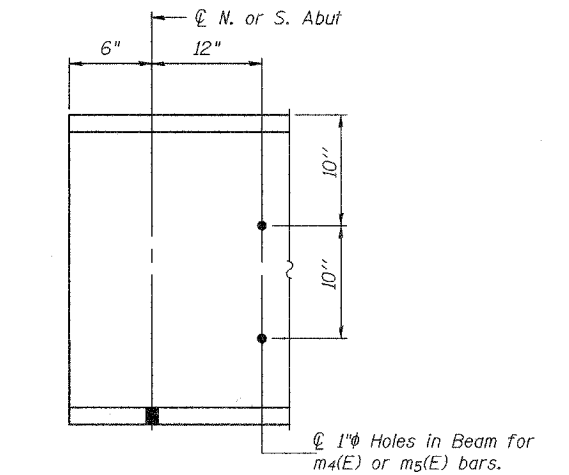


FRAMING PLAN

All beams are W30 x 116 AASHTO M270, Grade 50W, NTR.



BEAM ELEVATION



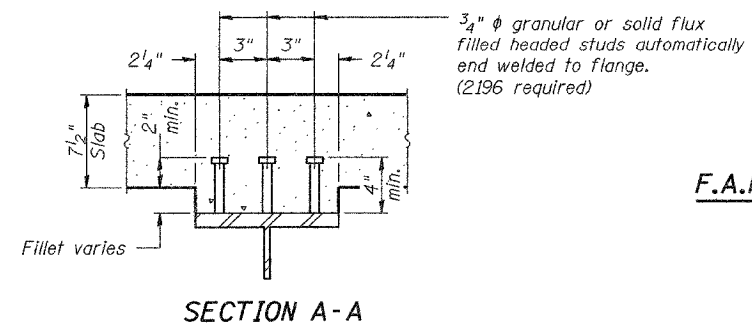
END OF BEAM ELEVATION

Notes:
NTR denotes members to which Notch Toughness Requirements are applicable.
For Splice and Diaphragm details see sheet 10 of 16.

***** TOP OF BEAM ELEVATIONS**

Location	N. Abut.	Splice	Pier	S. Abut.
Beams 1 & 6	605.855	607.038	607.307	608.565
Beams 2 & 5	606.005	607.188	607.457	608.776
Beams 3 & 4	606.121	607.304	607.573	608.892

*** For Fabrication only



SECTION A-A

STRUCTURAL STEEL
F.A.P. ROUTE 310 - SECTION 81B-1
MORGAN COUNTY
STATION 140+34.43
STRUCTURE NO. 069-0504

DESIGNED	A.B.G.
CHECKED	W.A.B.
DRAWN	ØMC Frank Lowry
CHECKED	A.B.G & W.A.B.

September 30, 2005
EXAMINED *Thomas J. Demagala*
PASSED *Ralph E. Anderson*
ENGINEER OF BRIDGE DESIGN
ENGINEER OF BRIDGES AND STRUCTURES