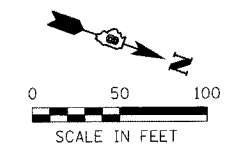


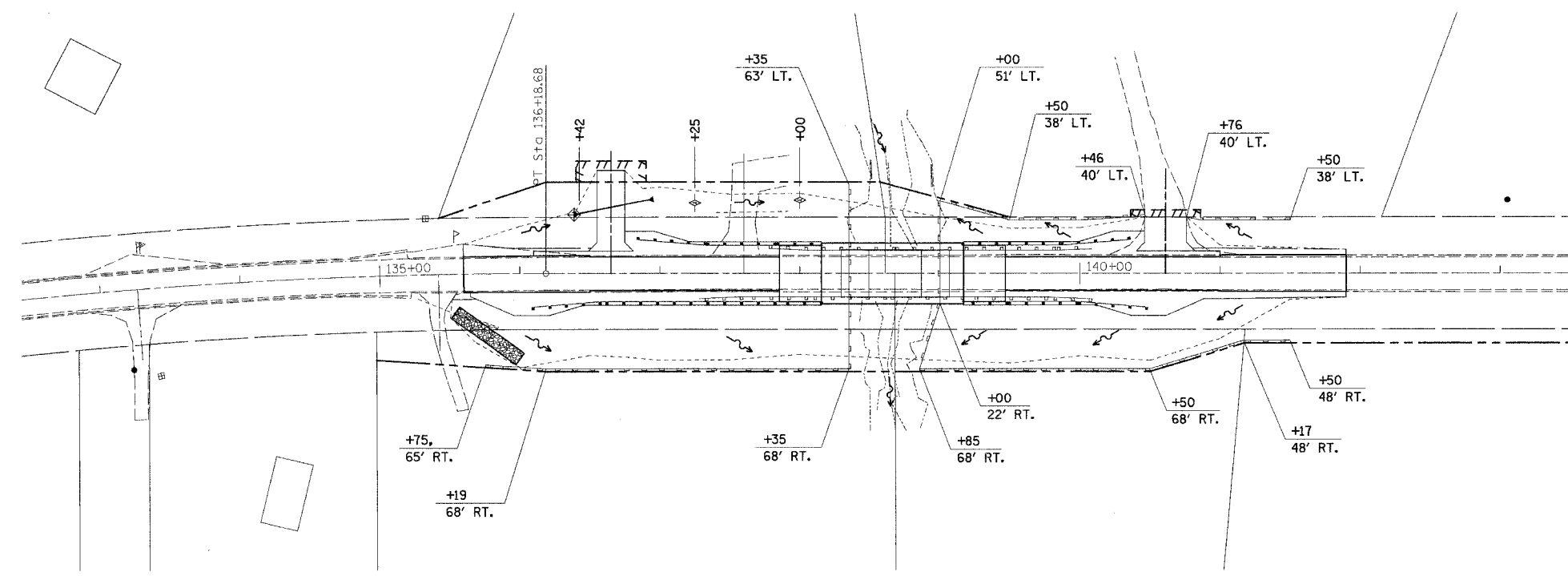
F.A. RTE.	SECTION	COUNTY	TOTAL SHEETS	SHEET NO.
609	***	ST. CLAIR	46	17
STA. 133+00		TO STA. 143+00		
FED. ROAD DIST. NO.		ILLINOIS FED. AID PROJECT		
*** SEC. 76-3BR				
CONTRACT NO. 76268				



PLAN	SURVEYED	BY	DATE
NOTE BOOK NO.	ADJUSTMENT CHECKED		
	RT. OF WAY CHECKED		
	POB FILE NAME		

PROF FILE	SURVEYED	BY	DATE
NOTE BOOK NO.	GRANDS CHECKED		
	BEAM NOTED		
	STRUCTURE NOTATIONS CHKD		

FILE NAME = J:\0206\DRAWINGS\ER63BR.dgn
 PLOT DATE = 8/30/05 4:01:35 PM
 PLOT DATE = 8/30/05 4:01:35 PM
 OPERATOR = MDP/KS



LEGEND

- TEMPORARY DITCH CHECK
- PERIMETER EROSION BARRIER
- INLET AND PIPE PROTECTION
- CONSTRUCTION LIMITS
- STONE RIPRAP, CLASS A4

ILLINOIS DEPARTMENT OF TRANSPORTATION
STORM WATER POLLUTION PREVENTION PLAN
 FAP ROUTE 609 (IL. RTE. 163)
 SECTION 76-3BR
 ST. CLAIR COUNTY

REVISIONS	
NAME	DATE

SCALE: VERT. _____
 HORIZ. _____
 DATE: 10/11/04

DRAWN BY: SUTHEARD
 DESIGNED BY: COLBROOK
 CHECKED BY: COLBROOK

GREENE & BRADFORD, INC.
 OF SPENSFIELD
 CONSULTING ENGINEERS
 PROFESSIONAL ENGINEERING FIRM NO. 041-0074
 2011 W. 85th St. P.O. Box 1077, Springfield, IL 62762

COMPUTER FILE NO.
 ER163BR
 PROJECT 02076
 4/19/05-MDS

IDOTPL-50 1"=50' 8/07/00

STORM WATER POLLUTION PREVENTION PLAN