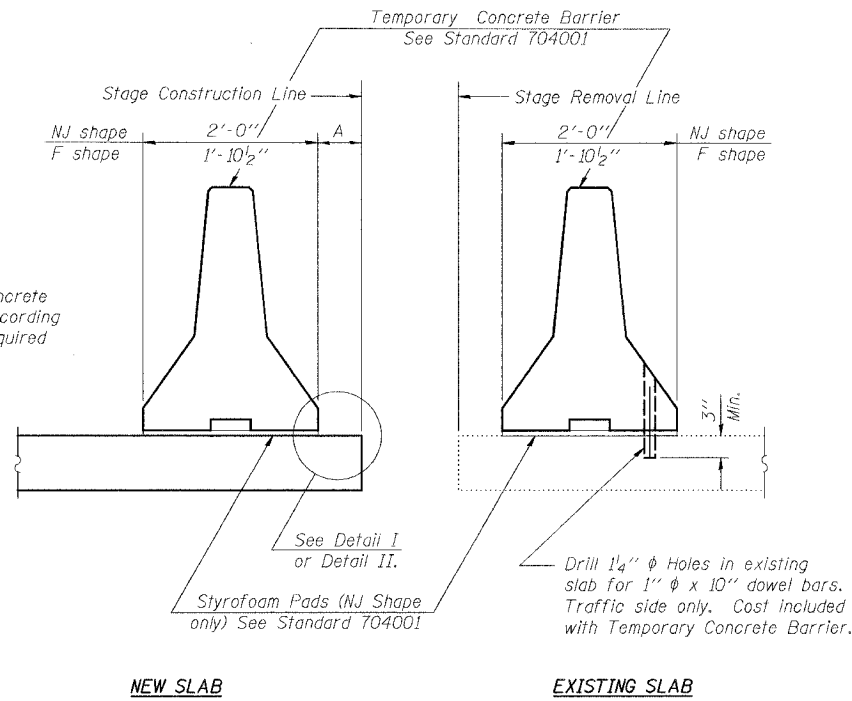


STATE OF ILLINOIS
DEPARTMENT OF TRANSPORTATION

ROUTE NO.	SECTION	COUNTY	TOTAL SHEETS	SHEET NO.	SHEET NO. 3
FAP 609	*	ST. CLAIR	46	23	15 SHEETS
FED. ROAD DIST. NO.	ILLINOIS	FED. AID PROJECT-	76268		

* 76-3BR

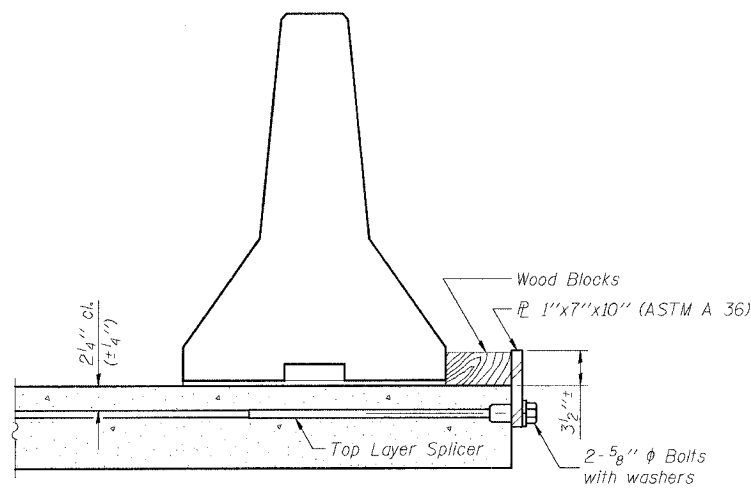


When "A" is 3'-6" or less, the temporary concrete barrier shall be anchored to the new slab according to Detail I or Detail II. No anchorage is required when "A" is greater than 3'-6".

SECTIONS THRU SLAB

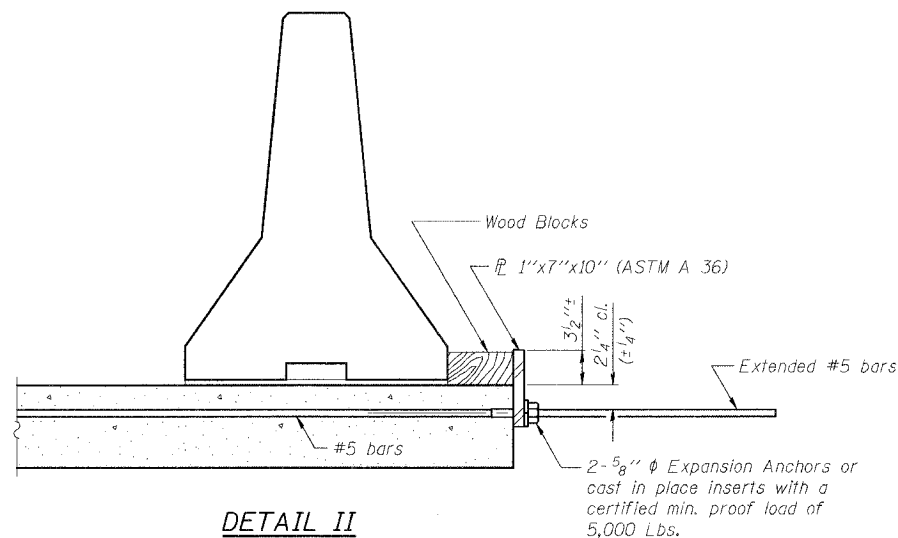
NOTES

- Detail I - With Bar Splicer or Couplers:
Connect one (1) 1"x7"x10" steel \bar{r} to the top layer of couplers with 2-5/8" ϕ bolts screwed to coupler at approximate \bar{c} of each barrier panel.
- Detail II - With Extended Reinforcement Bars:
Connect one (1) 1"x7"x10" steel \bar{r} to the concrete slab with 2-5/8" ϕ Expansion Anchors or cast in place inserts spaced between the top layer of reinforcement at approximate \bar{c} of each barrier panel.
- Cost of anchorage is included with Temporary Concrete Barrier.



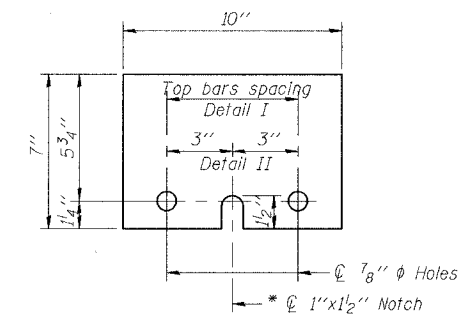
DETAIL I

The 1"x7"x10" Plate shall not be removed until Stage II Construction forms and reinforcement bars are in place.



DETAIL II

The 1"x7"x10" Plate shall not be removed until Stage II Construction forms and all reinforcement bars are in place and the concrete is ready to be placed.



1"x7"x10"

* Required only with Detail II

REVISIONS	
NAME	DATE

ILLINOIS DEPARTMENT OF TRANSPORTATION
TEMPORARY CONCRETE BARRIER
FOR STAGE CONSTRUCTION

FAP RTE 609 (IL. 163) PRAIRIE DU PONT CR.
FAS RTE 609 - SEC. 76 BR-1
ST. CLAIR COUNTY
STA. 138+66.06
S.N. 082-0305

SCALE: VERT.
HORIZ.
DATE: 7/26/04

DRAWN BY: LANDREY
DESIGNED BY: WATKINS
CHECKED BY: SANFORD

COMPUTER FILE NO.
SN0820305_TCB

PROJECT 02076
4/28/05-MML



GREENE & BRADFORD, INC.
OF SPRINGFIELD

REGISTERED PROFESSIONAL ENGINEERS
ILLINOIS LICENSE NO. 0215
PROFESSIONAL DESIGN FIRM NO. 04-0097
PROFESSIONAL & CONSULTING ENGINEERING CORPORATION
1211 7th Street, Springfield, IL 62761-1000
(217) 792-8941, (217) 792-4227 FAX: (217) 792-4227

FILE NAME = I:\02076\dr-awings\asn082-0305\asn0820305_tcb.dgn
PLOT SCALE = 1/8"=1'-0"
PLOT TIME = 10:56:01 AM
OPERATOR = michalei

R-27 9-01-03