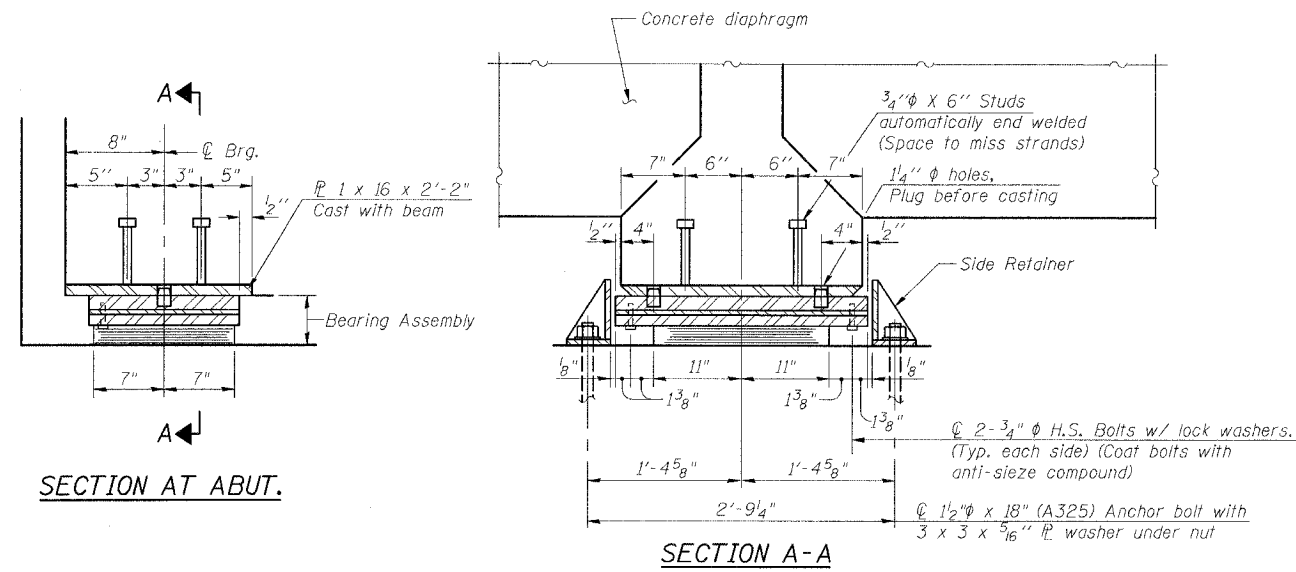


STATE OF ILLINOIS
DEPARTMENT OF TRANSPORTATION

ROUTE NO.	SECTION	COUNTY	TOTAL SHEETS	SHEET NO.	SHEET NO. 10
FAP 609	*	ST. CLAIR	46	30	15 SHEETS
FED. ROAD DIST. NO.	ILLINOIS	FED. AID PROJECT-			76268

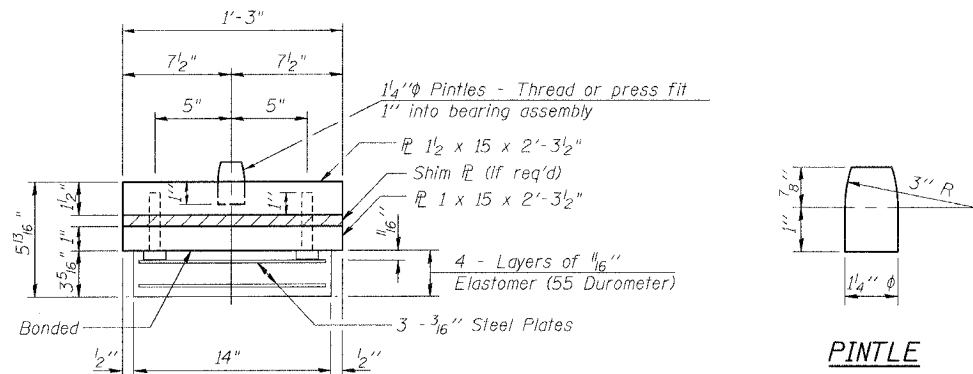
* 76-3BR



SECTION AT ABUT.

SECTION A-A

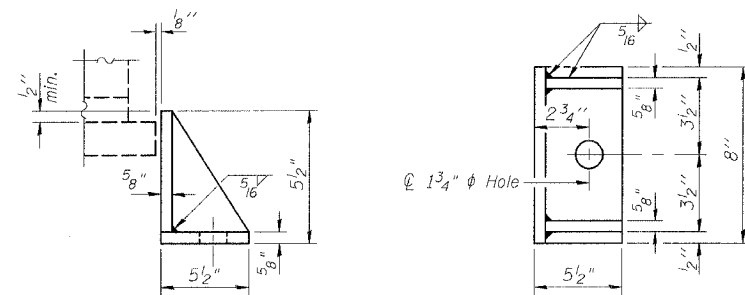
TYPE I ELASTOMERIC EXP. BRG.
(South Abutment)



BEARING ASSEMBLY

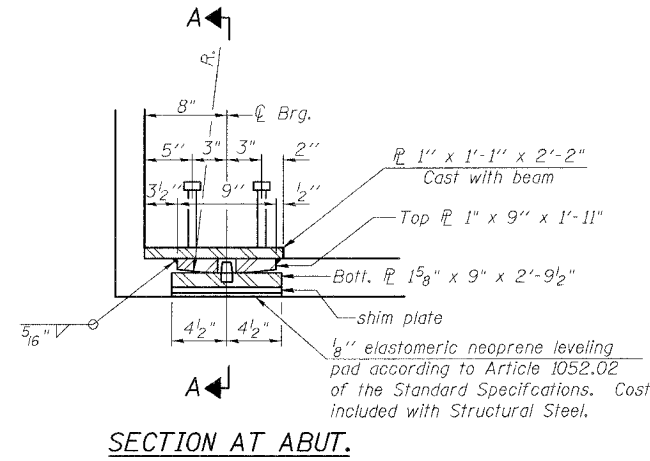
Note: Shim plates shall not be placed under Bearing Assembly.

PINTLE

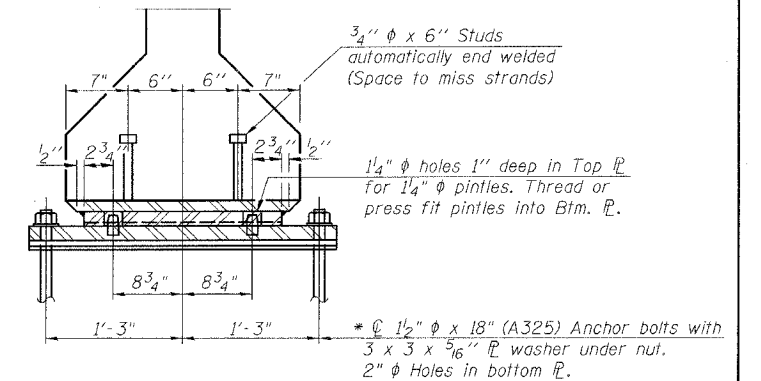
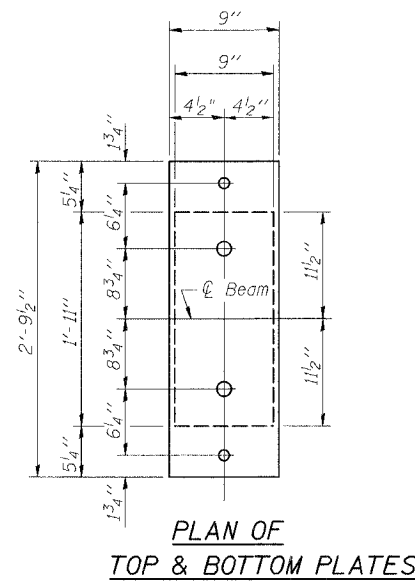


SIDE RETAINER

Equivalent rolled angle with stiffeners will be allowed in lieu of welded plates.

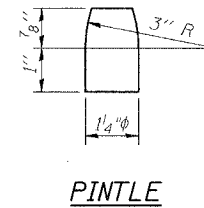


FIXED BEARING
(North Abutment)



SECTION A-A

* Anchor bolts may be built into the masonry or drilled and grouted in place after all beams have been erected. See sheet 13 of 15 for anchor bolt installation.



PINTLE

BILL OF MATERIAL

Item	Unit	Total
Elastomeric Bearing Assembly, Type I	Each	6

ILLINOIS DEPARTMENT OF TRANSPORTATION

BEARING DETAILS

FAP RTE 609 (IL. 163) PRAIRIE DUPONT CR.
SECTION 76-3BR
ST. CLAIR COUNTY
STA. 138+66.06
S.N. 082-0305

REVISIONS	
NAME	DATE

SCALE: VERT.
HORIZ.
DATE: 7/26/04

DRAWN BY: LANDREY
DESIGNED BY: WATKINS
CHECKED BY: SANFORD

COMPUTER FILE NO.
SM0820305.BRG

PROJECT 02076
4/28/05-MML

