

STATE OF ILLINOIS  
DEPARTMENT OF TRANSPORTATION

ROUTE NO.	SECTION	COUNTY	TOTAL SHEETS	SHEET NO.
F.A.S. 754	4RS-2, 4BR	CALHOUN	87	43
FED. ROAD DIST. NO. 7	ILLINOIS	FED. AID PROJECT		

CONTRACT NO. 76269

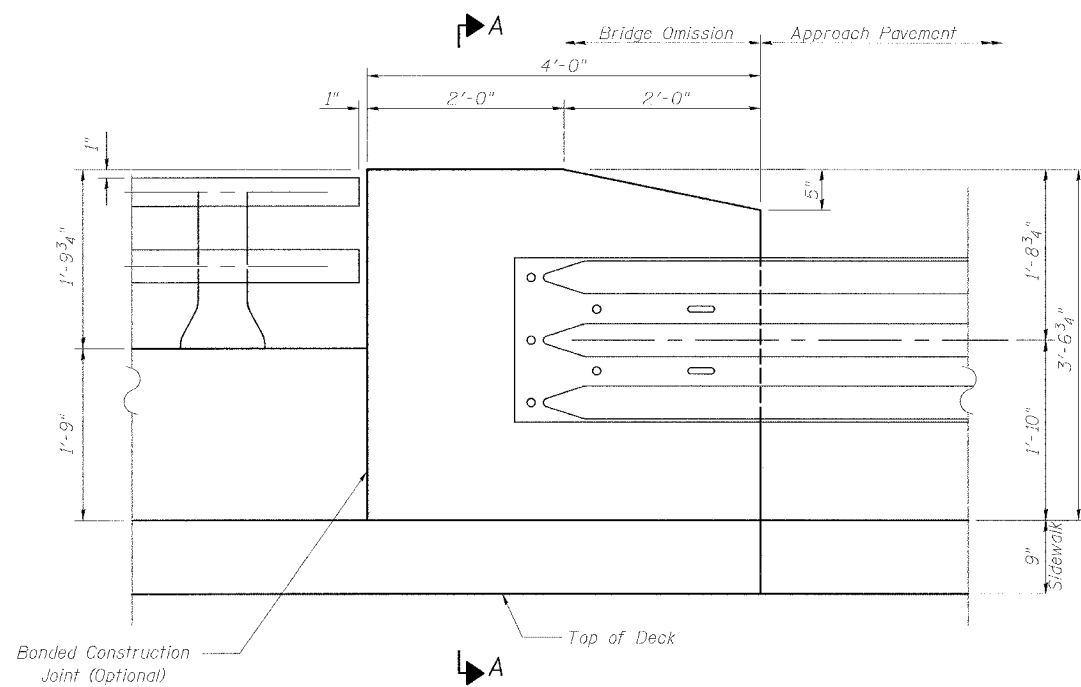
**SUPERSTRUCTURE  
BILL OF MATERIAL**

Bar	No.	Size	Length	Shape
a(F)	132	#5	17'-2"	—
a <sub>1</sub> (L)	101	#5	16'-9"	—
a <sub>2</sub> (E)	134	#6	4'-6"	—
a <sub>3</sub> (E)	132	#5	21'-9"	—
a <sub>4</sub> (F)	101	#5	21'-4"	—
a <sub>5</sub> (L)	4	#5	22'-2"	—
a <sub>6</sub> (E)	4	#5	17'-5"	—
b(E)	150	#5	29'-5"	—
b <sub>1</sub> (E)	108	#5	29'-5"	—
c(E)	168	#5	1'-9"	└
c <sub>1</sub> (E)	84	#5	4'-6"	—
d(E)	91	#5	3'-0"	└
d <sub>1</sub> (E)	85	#5	2'-5"	└
d <sub>2</sub> (E)	91	#4	3'-0"	└
d <sub>3</sub> (E)	91	#4	3'-8"	└
d <sub>4</sub> (E)	6	#4	2'-1"	└
d <sub>5</sub> (E)	84	#4	4'-7"	└
d <sub>6</sub> (E)	111	#5	3'-9"	└
d <sub>7</sub> (E)	18	#4	2'-0"	└
d <sub>8</sub> (E)	6	#5	3'-1"	└
d <sub>9</sub> (E)	6	#5	3'-4"	└
d <sub>10</sub> (E)	4	#4	3'-1"	└
d <sub>11</sub> (E)	4	#4	3'-4"	└
e(E)	60	#4	16'-2"	└
e <sub>1</sub> (E)	6	#8	31'-4"	└
e <sub>2</sub> (E)	6	#5	29'-4"	└
e <sub>3</sub> (E)	4	#4	3'-8 1/2"	└
e <sub>4</sub> (E)	8	#4	3'-8"	└
m(E)	4	#6	17'-0"	└
m <sub>1</sub> (E)	6	#6	17'-3"	└
m <sub>2</sub> (E)	28	#6	8'-5"	└
m <sub>3</sub> (E)	12	#6	5'-3"	└
m <sub>4</sub> (E)	4	#6	2'-4"	└
m <sub>5</sub> (E)	6	#6	22'-6"	└
m <sub>6</sub> (E)	4	#6	21'-10"	└
s(E)	84	#5	6'-3"	└
s <sub>1</sub> (E)	72	#5	10'-2"	└
v(E)	78	#5	4'-4"	└
Reinforcement Bars, Epoxy Coated		Pound	24820	
Concrete Superstructure		Cu. Yds.	140.2	

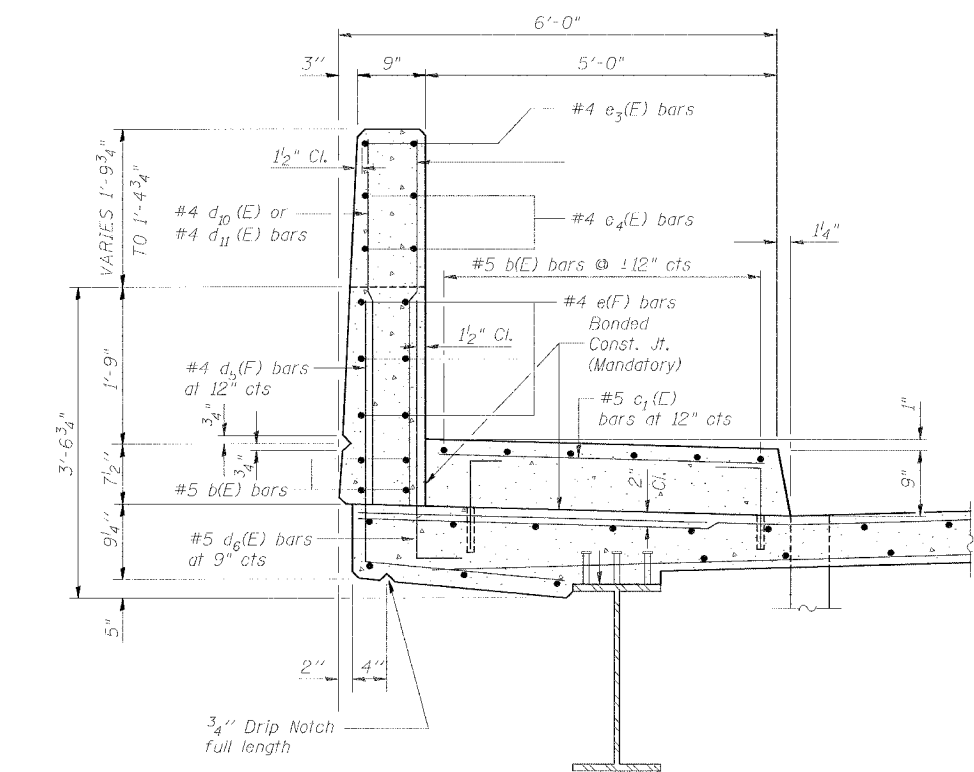
Reinforcement bars designated (E) shall be epoxy coated.  
Bars indicated thus 1x3-#5 etc. indicates 1 line of bars with 3 lengths per line.

**SUPERSTRUCTURE DETAILS II**  
PARK STREET OVER  
AN UNNAMED CREEK  
F.A.S. ROUTE 754  
SECTION 4RS-2, 4BR  
CALHOUN COUNTY  
ROADWAY STATION 6+08.50  
STRUCTURE NO. 007-0026

**Benton & Associates, Inc.**  
Consulting Engineers / Land Surveyors  
1970 West Lafayette Avenue Jacksonville, Illinois 62650  
Phone : 217-245-4146 Fax : 217-245-4149  
IL Design Firm Registration No. 184-000852

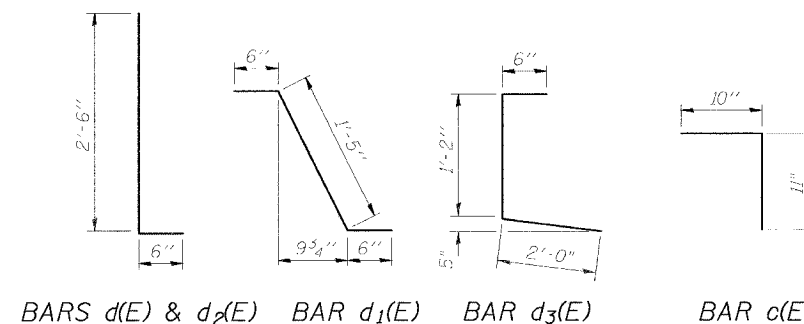


Elevation-Type 6 Rail Attachment Detail (A)

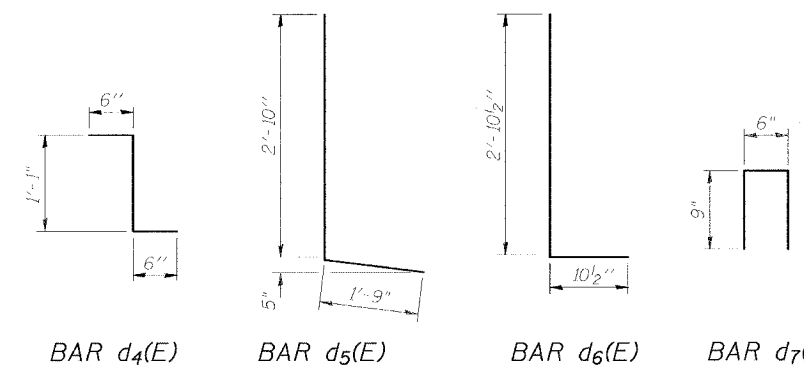


SECTION THRU SIDEWALK (A)

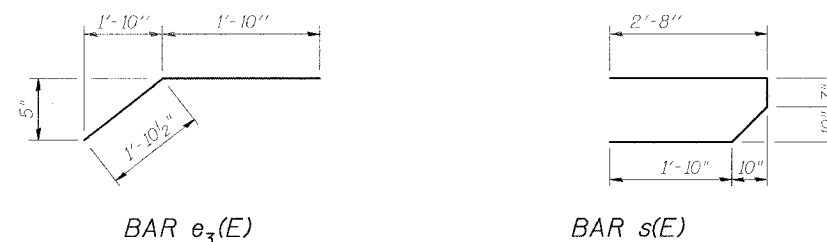
DESIGNED	- L.E.L.
CHECKED	- REG
DRAWN	- M.I.L.
CHECKED	- L.E.L.



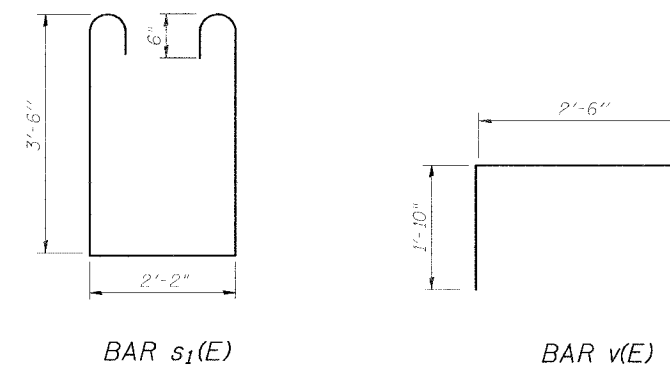
BARS d(E) & d<sub>2</sub>(E) BAR d<sub>1</sub>(E) BAR d<sub>3</sub>(E) BAR c(E)



BAR d<sub>4</sub>(E) BAR d<sub>5</sub>(E) BAR d<sub>6</sub>(E) BAR d<sub>7</sub>(E)



BAR e<sub>3</sub>(E) BAR s(E)



BAR s<sub>1</sub>(E) BAR v(E)