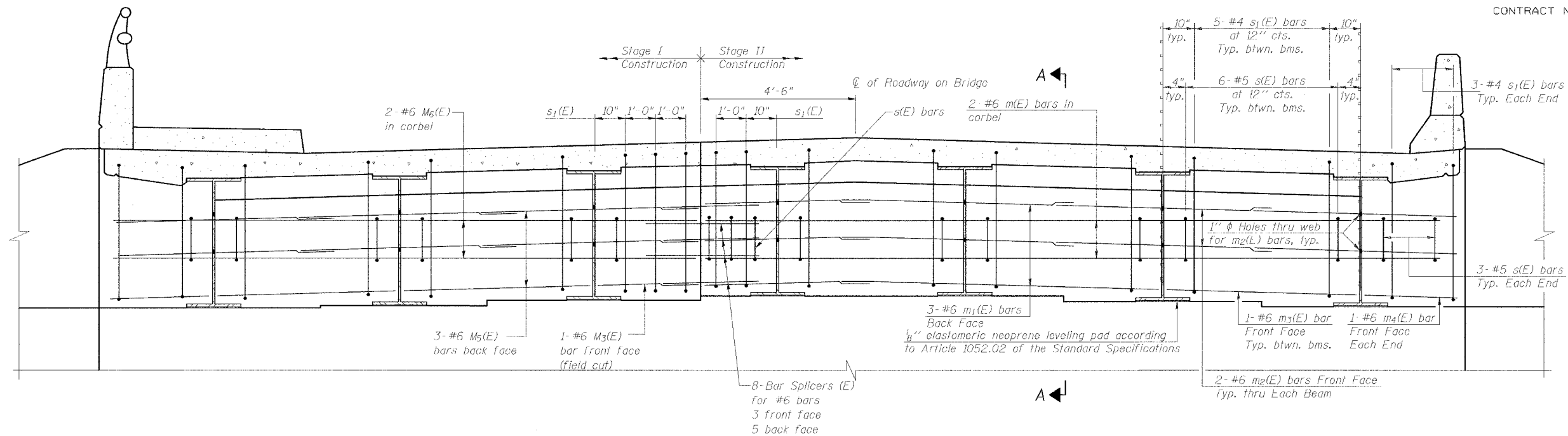


STATE OF ILLINOIS
DEPARTMENT OF TRANSPORTATION

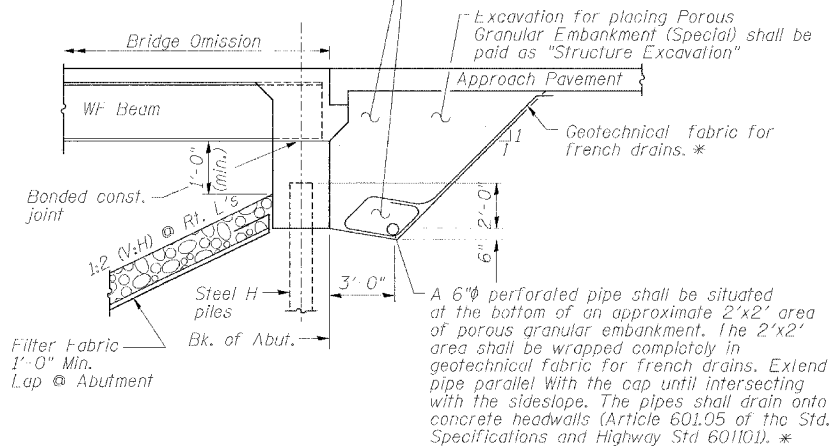
| | | | | | |
|-----------------------|------------|----------------|--------------|-----------|-----------|
| ROUTE NO. | SECTION | COUNTY | TOTAL SHEETS | SHEET NO. | SHEET NO. |
| F.A.S. 751 | 4RS 2, 4BR | CALHOUN | 87 | 44 | 20 SHEETS |
| FED. ROAD DIST. NO. 7 | ILLINOIS | FY1988 PROJECT | | | |

CONTRACT NO. 76269



DIAPHRAGM ELEVATION AT NORTH ABUTMENT

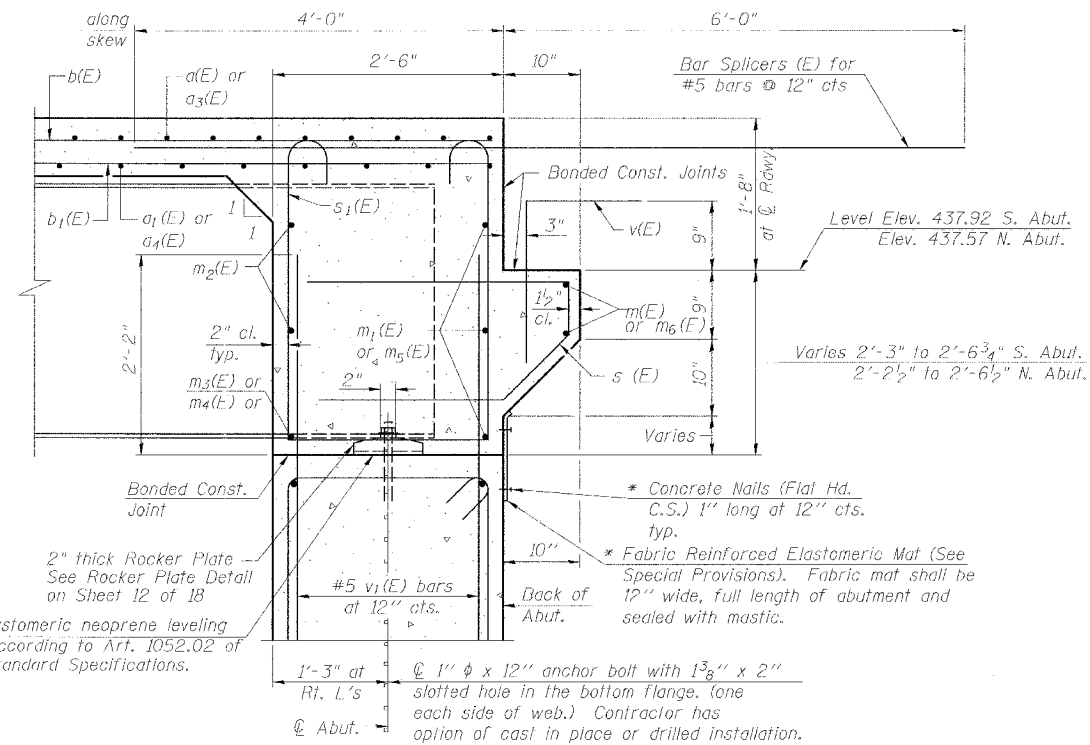
Backfill with uncompacted Porous Granular Embankment (Special) by Bridge Contractor after superstructure is in place. Limits shall be 1'-0" from the end of each wingwall.



*Included in the cost of "Porous Granular Embankment (Special)".

SECTION THRU INTEGRAL ABUTMENT
(At Rt. Angles)

| | |
|----------|----------|
| DESIGNED | - L.E.L. |
| CHECKED | - REG |
| DRAWN | - M.T.L. |
| CHECKED | - L.L.L. |



Notes:
Reinforcement bars in diaphragm are billed with superstructure on sheet 9 of 18.
Concrete in diaphragm is included with Concrete Superstructure on sheet 9 of 18.
For details of bars s(E) & s₁(E) see sheet 9 of 18.
The s(E) and s₁(E) bars shall be placed parallel to the beams. Spacing for these bars shall be at right angles to the beams.
For anchor bolt details see sheet 13 of 18.

MIN. BAR LAP
#6 bar = 2'-9"

DIAPHRAGM DETAILS
PARK STREET OVER
AN UNNAMED CREEK
F.A.S. ROUTE 754
SECTION 4RS-2, 4BR
CALHOUN COUNTY
ROADWAY STATION 6+08.50
STRUCTURE NO. 007-0026

Benton & Associates, Inc.
Consulting Engineers / Land Surveyors
1970 West Lafayette Avenue Jacksonville, Illinois 62650
Phone : 217-245-4146 Fax : 217-245-4149
IL Design Firm Registration No. 184-000852

SECTION A-A

Dimensions at right angles to abutment, except as noted.
* Cost included with Concrete Structures.