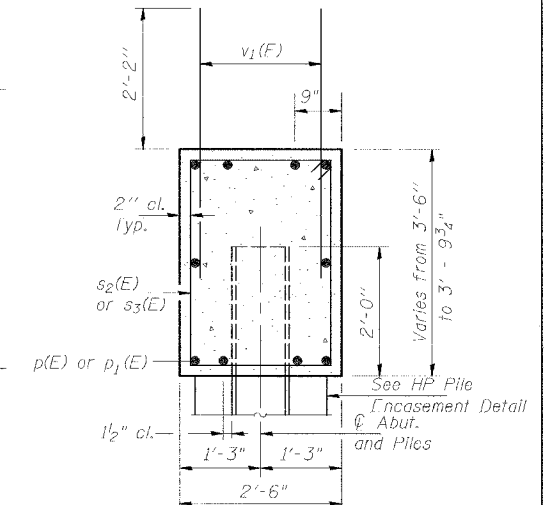
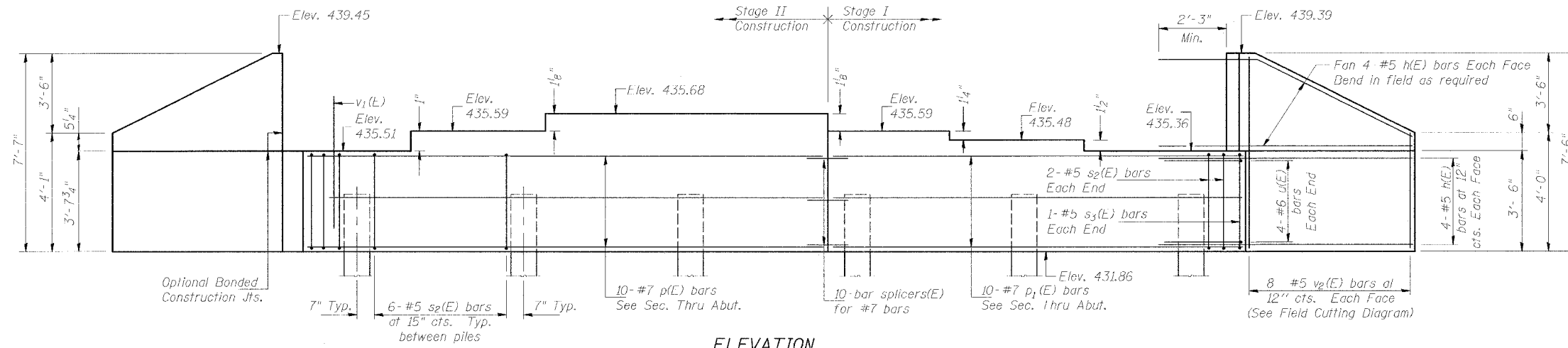


Notes: Pour steps monolithically with cap.
Reinforcement bars designated (E)
shall be epoxy coated.

STATE OF ILLINOIS
DEPARTMENT OF TRANSPORTATION

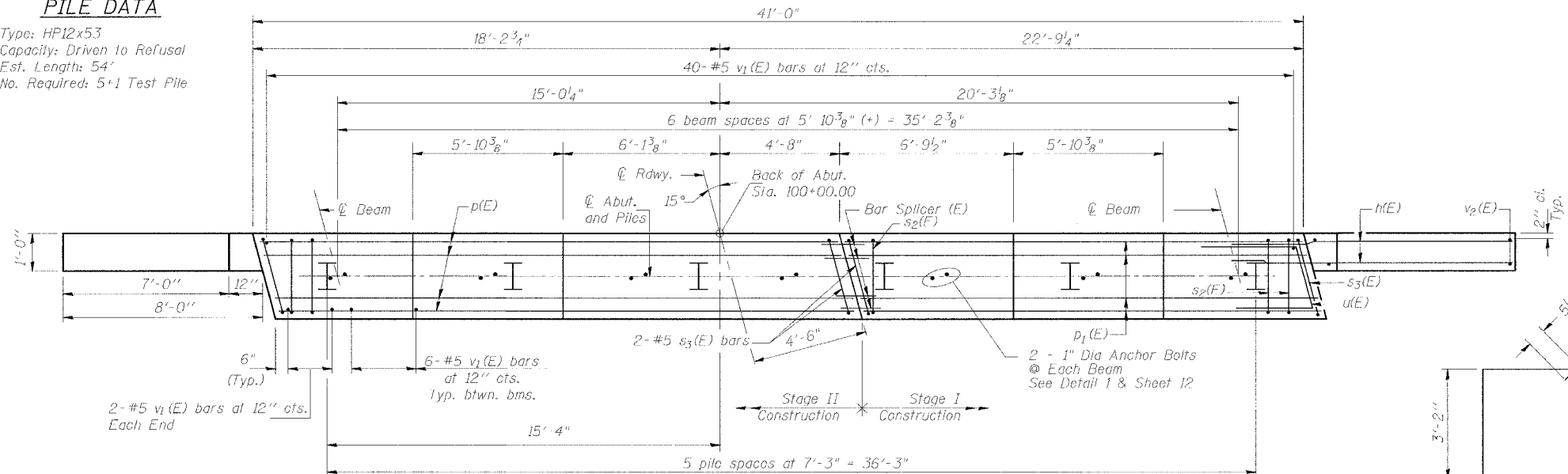
ROUTE NO.	SECTION	COUNTY	TOTAL SHEETS	SHEET NO.	SHEET NO. 15 20 SHEETS
F.A.S. 754	4RS 2, 4BR	CALHOUN	87	49	
FED. ROAD DIST. NO. 7	D.I. NO. 10	FED. AID PROJECT-			

CONTRACT NO. 76269



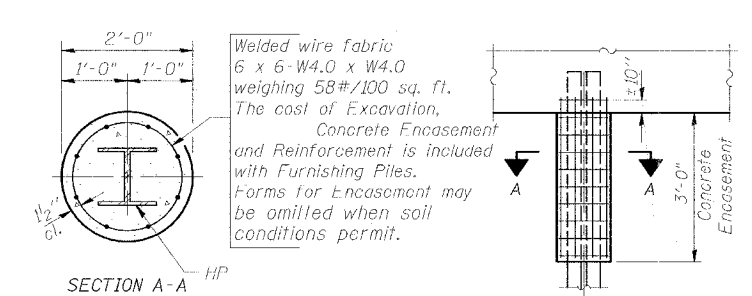
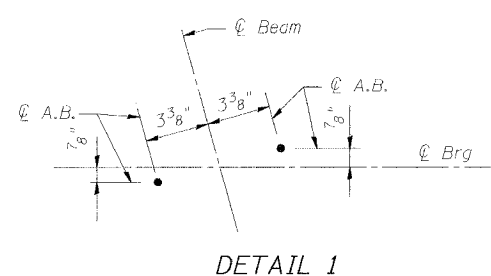
PILE DATA

Type: HP12x53
Capacity: Driven to Refusal
Est. Length: 54'
No. Required: 5+1 Test Pile

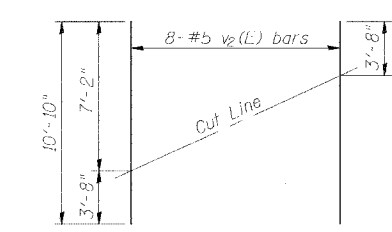


BILL OF MATERIAL

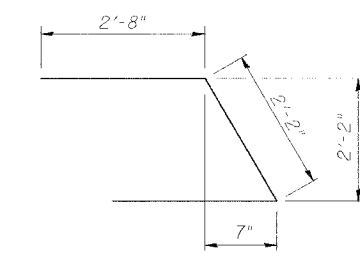
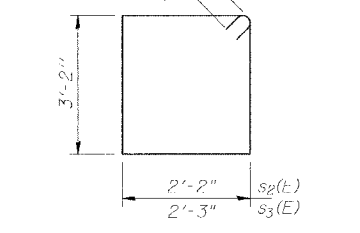
Bar	No.	Size	Length	Shape	
h(E)	32	#5	11'-1"	—	
p(E)	10	#7	22'-6"	—	
p ₁ (E)	10	#7	17'-9"	—	
s ₂ (E)	34	#5	11'-7"	□	
s ₃ (E)	4	#5	11'-9"	□	
u(E)	8	#6	7'-6"	∟	
v ₁ (E)	80	#5	4'-4"	—	
v ₂ (E)	16	#5	10'-10"	—	
Concrete Structures				Cu. Yd.	17.6
Reinforcement Bars Epoxy Coated				Pound	2290
Structure Excavation				Cu. Yd.	150
Furnishing Steel Piles HP12x53				Foot	270
Driving Steel Piles				Foot	270
Test Pile Steel HP12x53				Each	1
Metal Shoes				Each	5
Bar Splicers				Each	10



PILE ENCASEMENT DETAIL



FIELD CUTTING DIAGRAM
Order v₂(E) full length. Cut as shown and use remainder of bars in opposite face.



**SOUTH ABUTMENT
PARK STREET OVER
AN UNNAMED CREEK
F.A.S. ROUTE 754
SECTION 4RS-2, 4BR
CALHOUN COUNTY
ROADWAY STATION 6+08.50
STRUCTURE NO. 007-0026**

Benton & Associates, Inc.
Consulting Engineers / Land Surveyors
1970 West Lafayette Avenue Jacksonville, Illinois 62650
Phone : 217-245-4146 Fax : 217-245-4149
IL Design Firm Registration No. 184-000852

DESIGNED	- L.E.L.
CHECKED	- REG
DRAWN	- M.T.L.
CHECKED	- L.E.L.