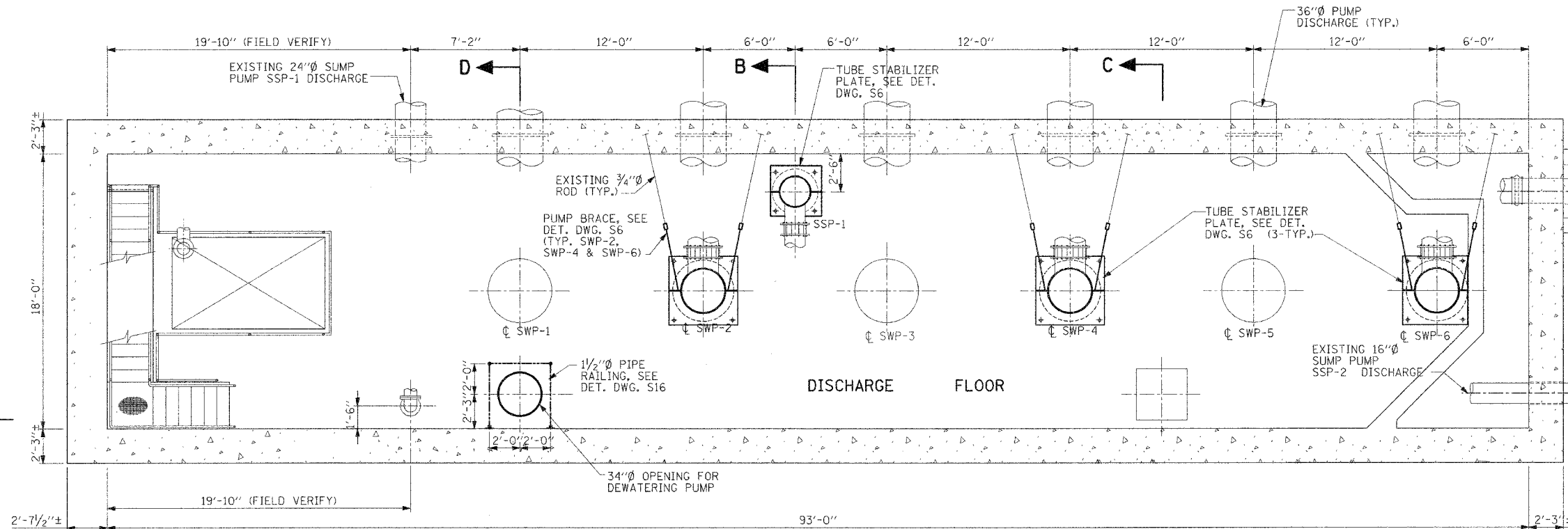
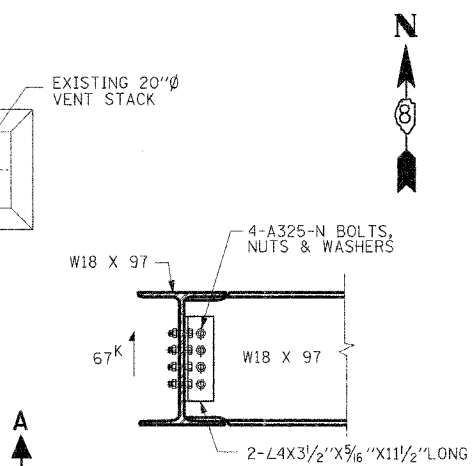


F.A.I. RTE.	SECTION	COUNTY	TOTAL SHEETS	SHEET NO.
70	82-11.21T-17	ST. CLAIR	77	19
FED. ROAD DIST. NO.	ILLINOIS	FED. AID PROJECT		

DATE	BY
SUBMITTED	PROJECT
PLOTTED	REVISION
NOTE BOOK	FILE NO.
NO.	

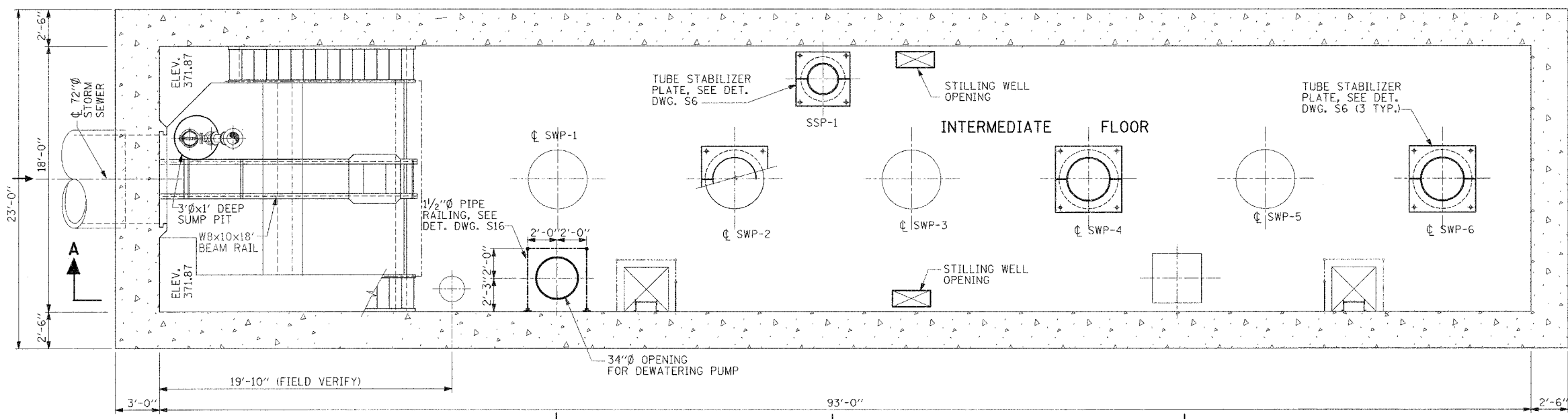


PLAN @ EL. 393.67

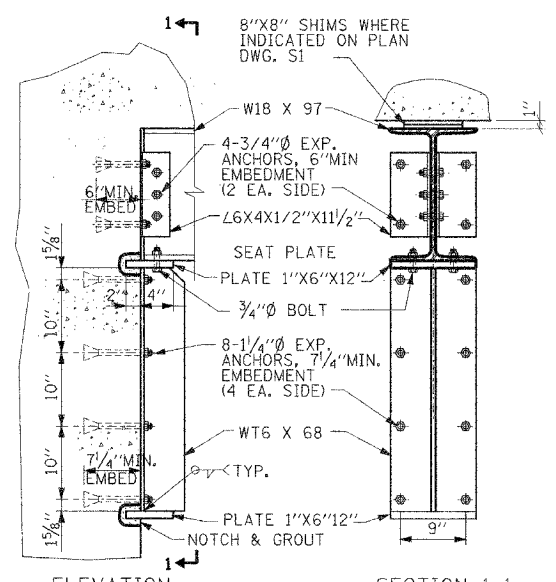


W18 TO W18 BEAM CONNECTION

(FOR LOCATION SEE DWG. S1)



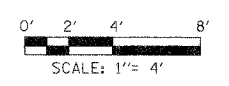
PLAN @ EL. 380.0



ELEVATION SECTION 1-1

BEAM TO WALL SUPPORT DETAIL

(FOR LOCATION SEE DWG. S1)  
ALL STEEL HOT DIP GALVANIZED  
ALL EXP. ANCHORS STAINLESS STEEL  
SCALE: 1"=1'-0"



S2

REVISIONS	NAME	DATE

ILLINOIS DEPARTMENT OF TRANSPORTATION  
BOWMAN AVENUE PUMP STATION  
REHABILITATION  
STRUCTURAL PLANS  
(PUMP STATION)

SCALE: AS SHOWN  
DATE: 09-12-05  
DRAWN BY: CTM  
CHECKED BY: SP  
PLOT DATE: \*DATE-TIME\*