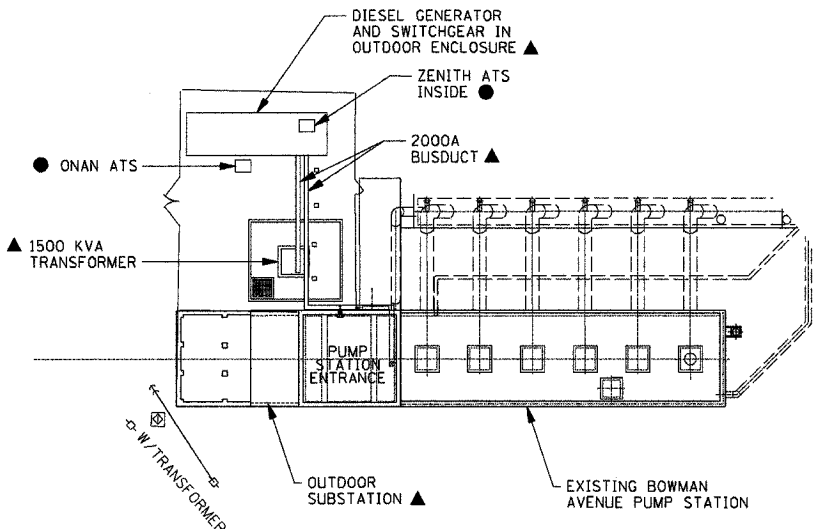


GENERAL NOTES:

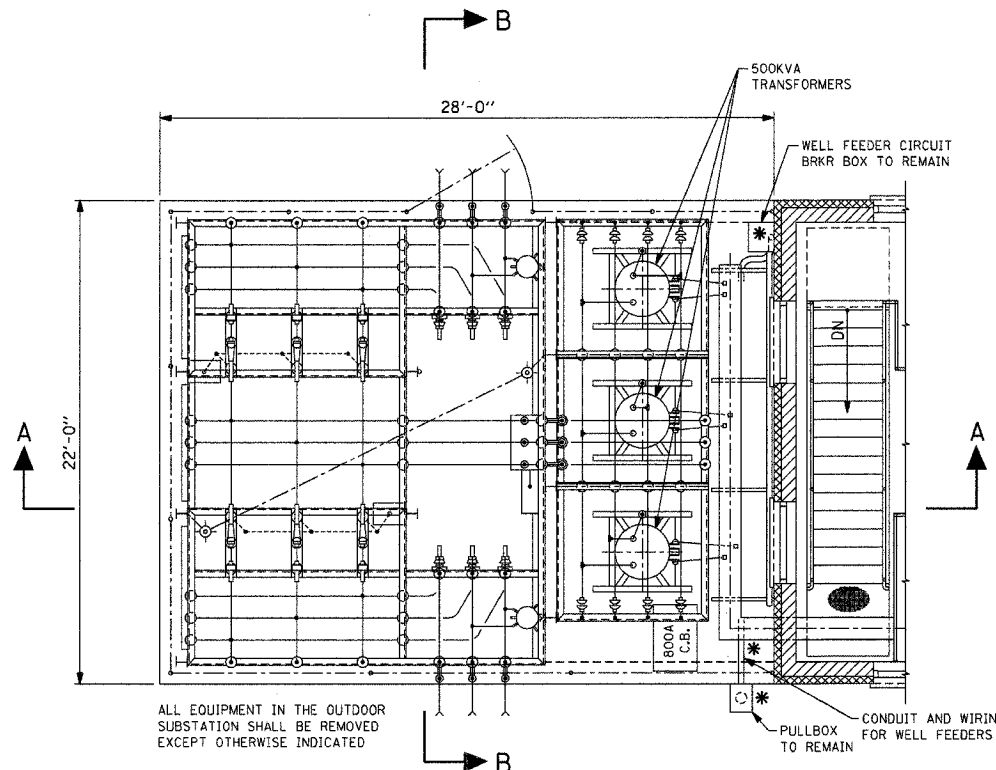
1. THE CONTRACTOR SHALL VISIT THE SITE IN ORDER TO FAMILIARIZE THEMSELVES WITH THE CONDITIONS UNDER WHICH THEY WILL PERFORM THE WORK.
2. THE CONTRACTOR SHALL INCLUDE DISCONNECTION AND REMOVAL OF ALL RELATED ELECTRICAL EQUIPMENT, CABLE, CONDUIT AND APPURTENANCES AS PART OF THEIR DEMOLITION WORK.
3. ALL MATERIALS, EQUIPMENT & APPURTENANCES NOT SPECIFICALLY IDENTIFIED BUT WHICH REQUIRE REMOVAL FOR COMPLETION OF THE REQUIRED WORK SHALL BE REMOVED AT NO ADDITIONAL COST TO THE OWNER.
4. EXISTING ELECTRICAL SERVICE FEEDERS SHALL BE REMOVED BY THE CONTRACTOR, ALL OTHER ELECTRIC SERVICE EQUIPMENT OWNED BY AMEREN UE SHALL BE REMOVED BY THEM, THE CONTRACTOR SHALL COORDINATE WITH AMEREN UE.
5. ALL CONDUIT OPENINGS SHALL BE SEALED, FOR PATCHING REQUIREMENTS SEE SPECIFICATION SECTION 1A.
6. ALL SOLID STATE REDUCED VOLTAGE STARTERS FOR SWP-1 THROUGH SWP-6, SSP-1 & SSP-2 SHALL BE REMOVED AND REINSTALLED IN THE NEW MCC'S.
7. THE FOLLOWING EQUIPMENT SHALL BE SALVAGED:
 - A. HEALY-RUFF PUMP CONTROL PANEL
 - B. SOLID STATE MOTOR STARTERS AND THERMAL/ SEAL PROTECTION MODULES AS NOTED ON SH. 46.
 - C. SUMP PUMP NO. 1
 - D. ONAN ATS AND ZENITH ATS.

- * - DENOTES EXISTING ELECTRICAL TO REMAIN.
- - DENOTES EXISTING ELECTRICAL TO BE RELOCATED.
- ▲ - DENOTES EXISTING ELECTRICAL TO BE REMOVED.
- - DENOTES EXISTING ELECTRICAL TO BE SALVAGED.



DEMOLITION SITE PLAN

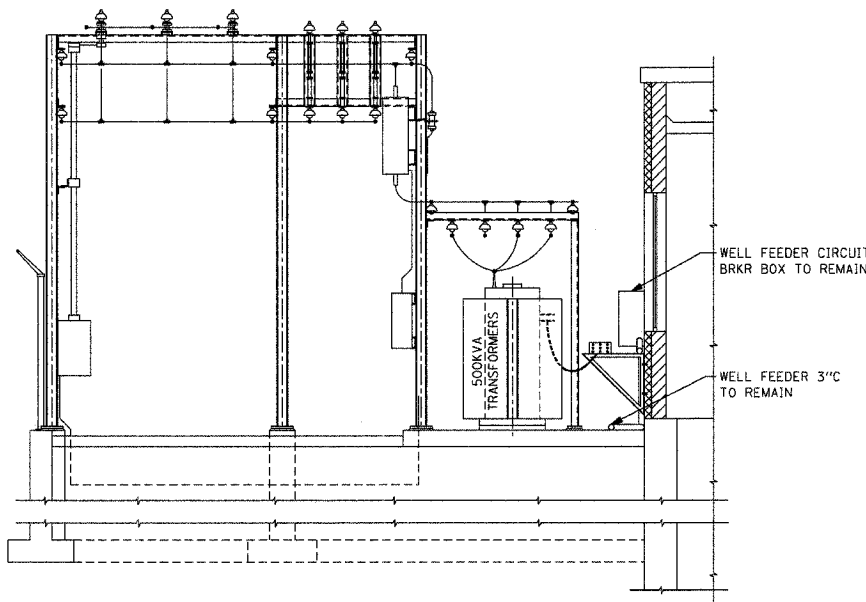
0' 10' 20' 40'
SCALE: 1" = 20'-0"



ALL EQUIPMENT IN THE OUTDOOR SUBSTATION SHALL BE REMOVED EXCEPT OTHERWISE INDICATED

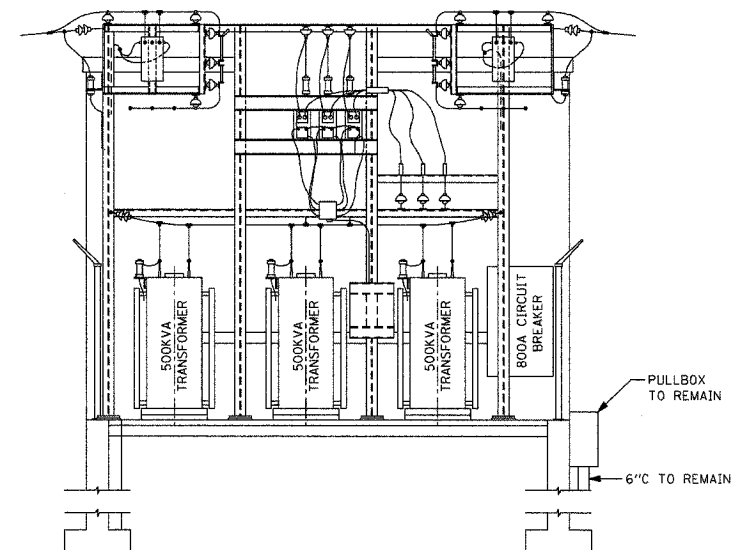
OUTDOOR SUBSTATION PLAN @ EL. 422.0

0' 2' 4' 8'
SCALE: 1" = 4'



SECTION A-A

0' 2' 4' 8'
SCALE: 1" = 4'



SECTION B-B

0' 2' 4' 8'
SCALE: 1" = 4'

DATE	BY

SUBMITTED:
 PLotted:
 NOTE BOOK NO. _____
 CHECKED BY: _____
 CAD FILE NAME: _____

DATE
 DDMMYY
 REF
 REV

ALVORD, BURDICK & HOWSON, L.L.C.
ENGINEERS CHICAGO

E3	
REVISIONS	
NAME	DATE

ILLINOIS DEPARTMENT OF TRANSPORTATION
 BOWMAN AVENUE PUMP STATION
 REHABILITATION
 ELECTRICAL
 DEMOLITION PLANS SH. 1
 SCALE: AS SHOWN DRAWN BY: LMJ
 DATE: 09-12-05 CHECKED BY: KCC
 PLOT DATE: *DATE* - *TIME*