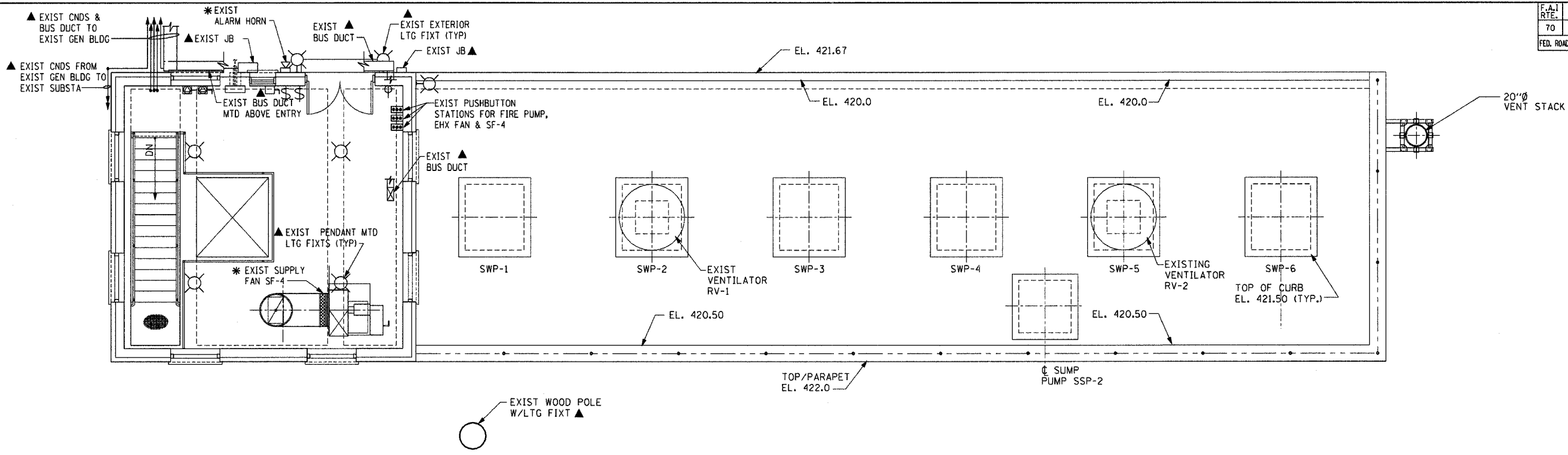
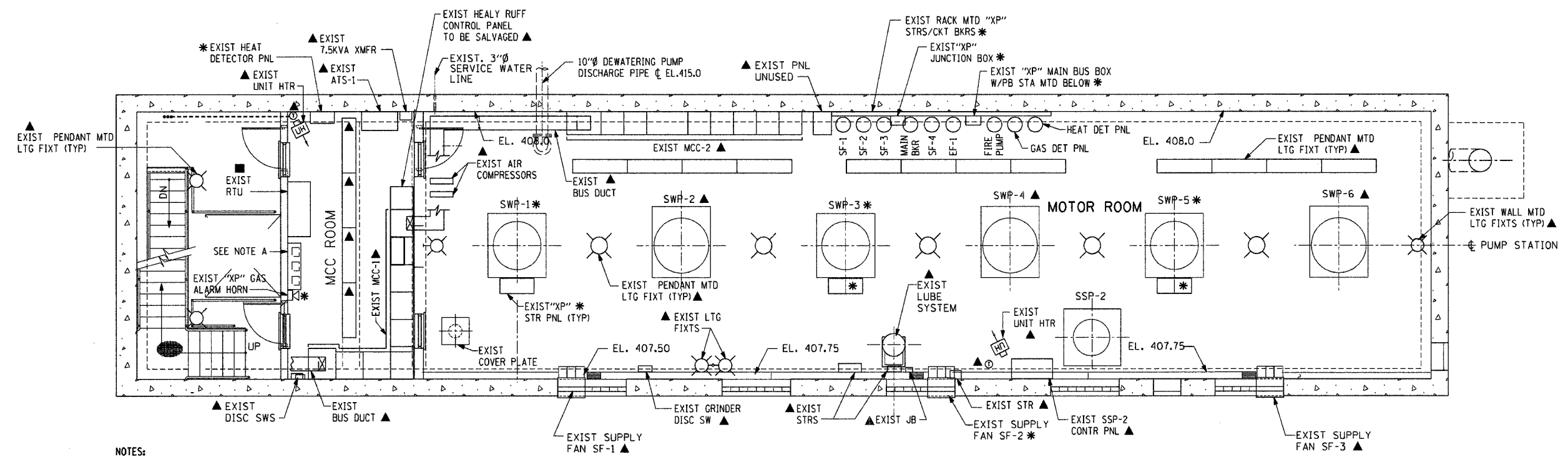


F.A.I. RTE.	SECTION	COUNTY	TOTAL SHEETS	SHEET NO.
70	B2-(1,2)T-17	ST. CLAIR	77	46
FED. ROAD DIST. NO.	ILLINOIS	FED. AID PROJECT		

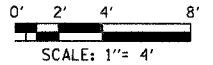


PLAN @ EL. 422.0



NOTES:  
 A. EXIST "XP" RELAY PANEL (TO REMAIN, W/3 EXIST GAS DETECTORS MTD BELOW (TO REMAIN))

NOTES:  
 1. SEE GENERAL NOTES ON SHEET NO. 45.  
 2. THE EXISTING BENSCHAW MODEL RMB6 SOLID STATE STARTERS FOR MAIN PUMPS NO. 1 THROUGH NO. 6 AND SUBMERSIBLE SUMP PUMPS NO. 2; AND THE THERMAL/SEAL PROTECTION MODULES FOR MAIN PUMPS NO. 1, NO. 3 AND NO. 5 AND SUBMERSIBLE SUMP PUMPS NO. 2 ARE EXISTING AND SHALL BE RELOCATED TO THE NEW MCC'S.



MOTOR ROOM PLAN @ EL. 408.0

ALVORD, BURDICK & HOWSON, L.L.C. ENGINEERS CHICAGO

E4

REVISIONS	
NAME	DATE

ILLINOIS DEPARTMENT OF TRANSPORTATION  
 BOWMAN AVENUE PUMP STATION REHABILITATION  
 ELECTRICAL DEMOLITION PLANS SH. 2  
 SCALE: AS SHOWN  
 DATE: 09-12-05  
 DRAWN BY: RRA  
 CHECKED BY: KCC  
 PLOT DATE: \*DATE-TIME\*

DATE	
BY	
REVISIONS	
PLANNED	
CHECKED	
ALIGNED	
CAD FILE NAME	
PLAN	
NOTE BOOK	
NO.	

ALVORD, BURDICK & HOWSON, L.L.C. ENGINEERS CHICAGO