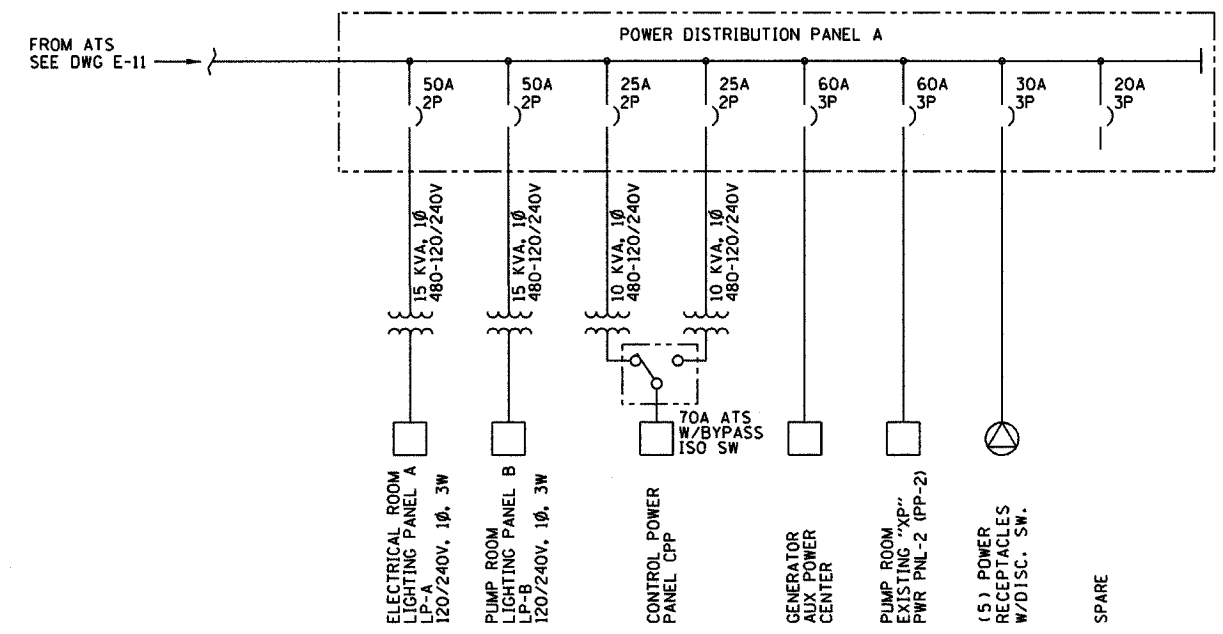


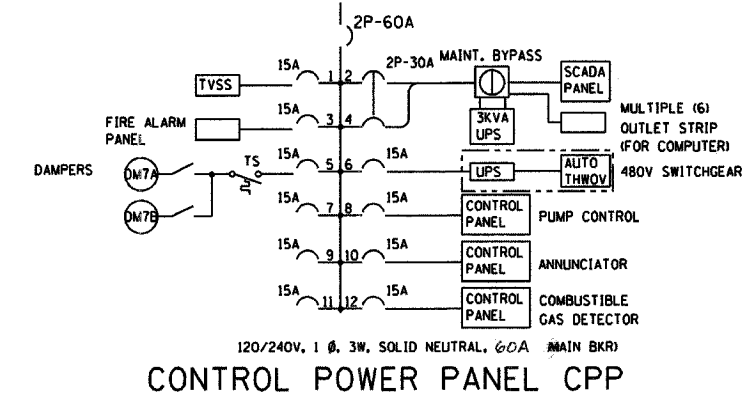
MODIFICATION OF EXISTING "XP" POWER PANEL-2 (PP-2)
PUMP ROOM

- NOTES:**
1. REMOVE FIRE PUMP MOTOR, CONDUIT & WIRING. PLUG CONDUIT OPENING AT STARTER.
 2. ADD DISCONNECT SW. EXISTING CONDUIT AND CABLE MAY BE REUSED.
 3. REMOTE MOTOR, CONDUITS & WIRING PLUG CONDUIT OPENING AT STARTER.

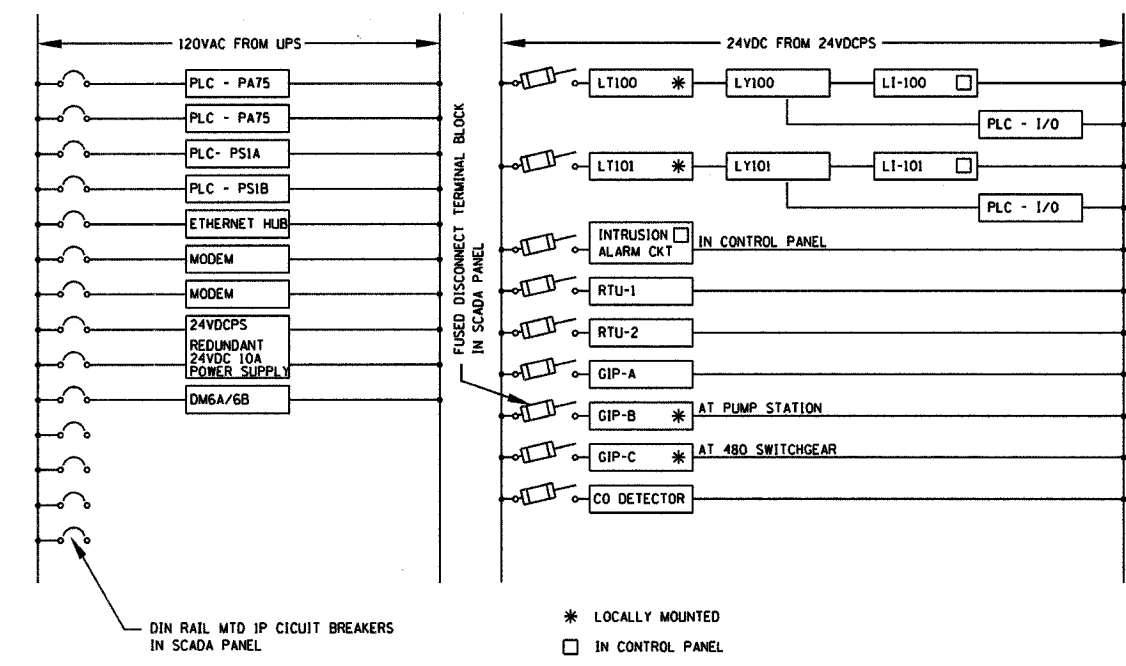


POWER DISTRIBUTION PANEL A
ELECTRICAL CONTROL ROOM

EXISTING EXP. PROOF CKT. BKR AND MOTOR STARTERS



CONTROL POWER PANEL CPP



POWER DISTRIBUTION IN SCADA PANEL

PLAN	DATE
NO.	
BY	
CHECKED	
APPROVED	

DATE: 09-12-05
SCALE: AS SHOWN
DRAWN BY: KCC
CHECKED BY: KCC

ALVORD, BURDICK & HOWSON, L.L.C.
ENGINEERS CHICAGO

REVISIONS	
NAME	DATE

E11

ILLINOIS DEPARTMENT OF TRANSPORTATION
BOWMAN AVENUE PUMP STATION REHABILITATION

PANEL BOARD SCHEDULES

SCALE: AS SHOWN
DATE: 09-12-05
DRAWN BY: KCC
CHECKED BY: KCC