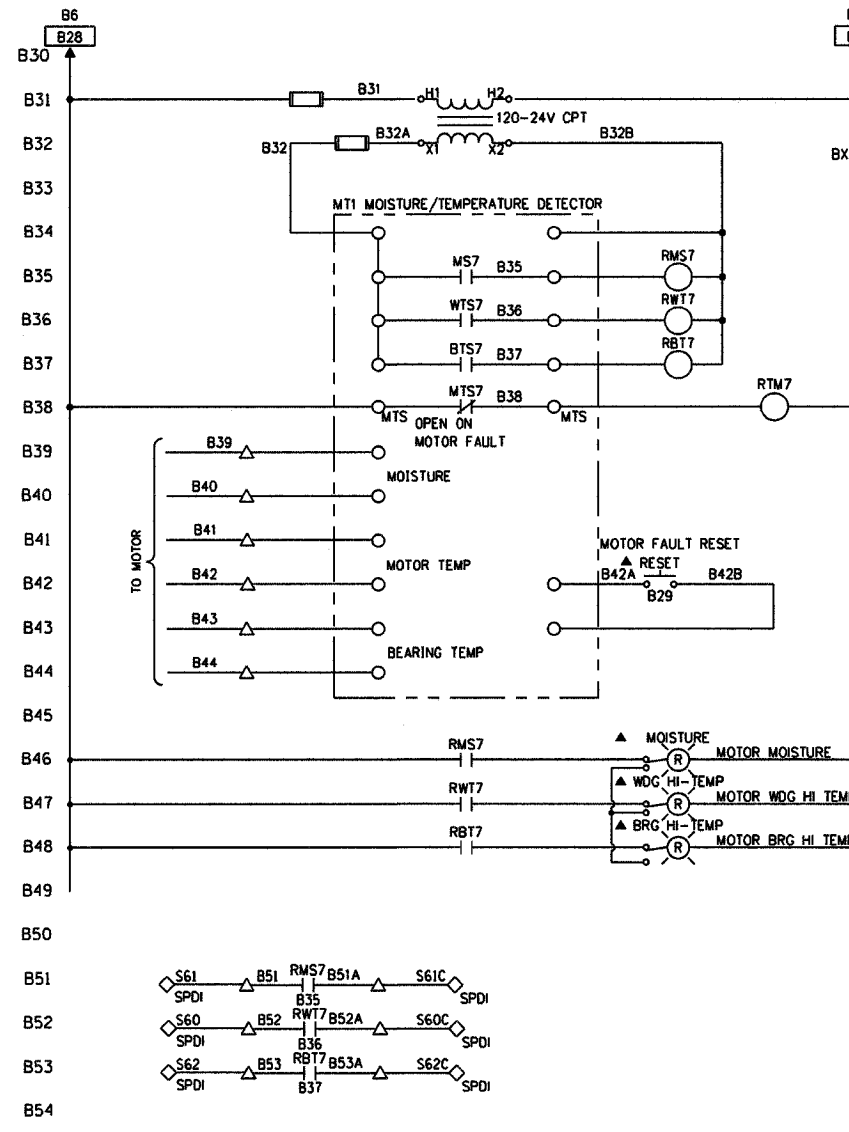
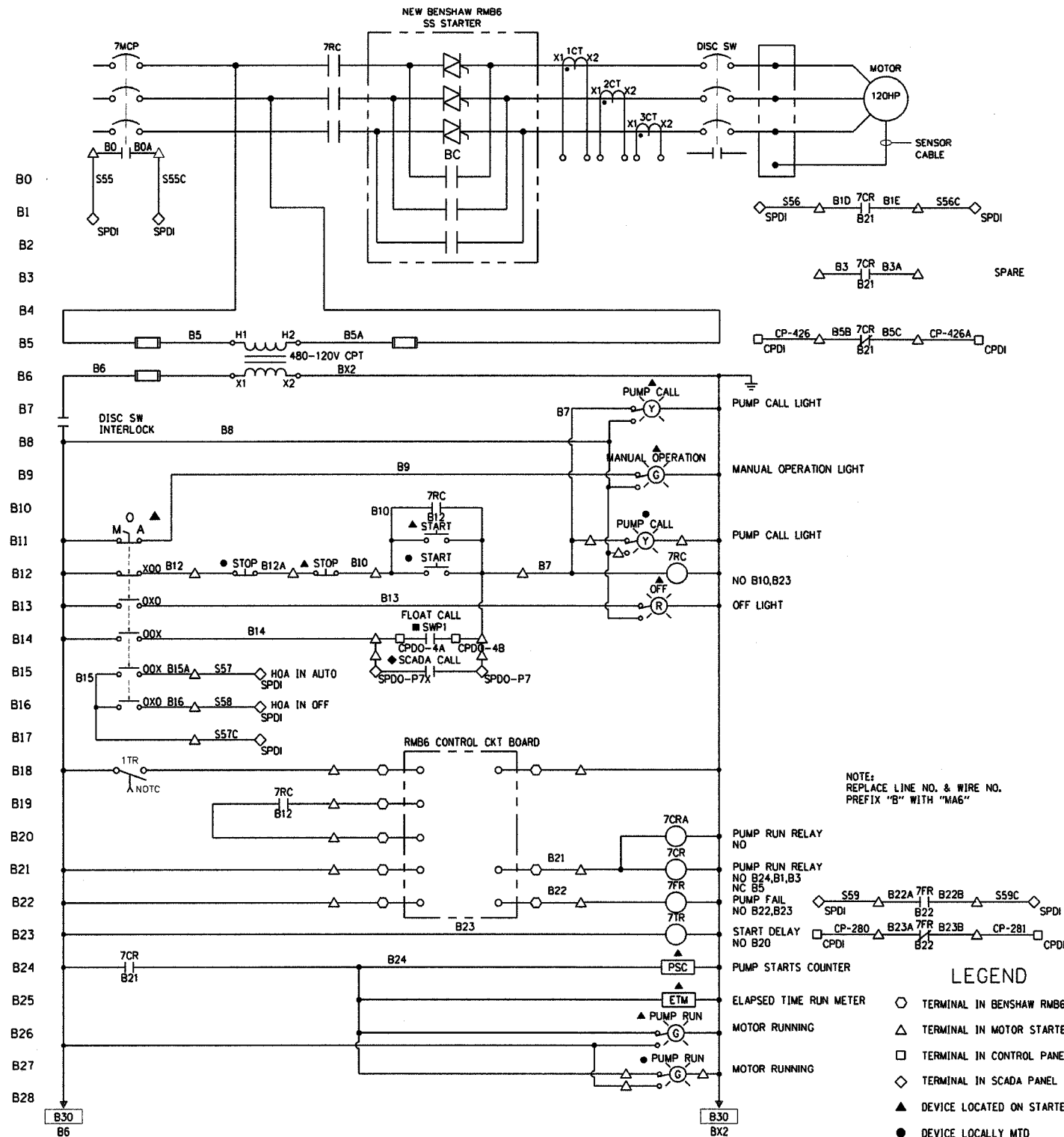


DATE	BY
REVISIONS	DATE
APPROVED	DATE
PLANNED	DATE
NOTE BOOK	FILE NAME
NO.	



**SUMP PUMP 1 CONTROL SCHEMATIC**

**LEGEND**

- TERMINAL IN BENSIAW RMB6
- △ TERMINAL IN MOTOR STARTER
- TERMINAL IN CONTROL PANEL
- ◇ TERMINAL IN SCADA PANEL
- ▲ DEVICE LOCATED ON STARTER DOOR
- DEVICE LOCALLY MTD
- DEVICE IN CONTROL PANEL
- ◆ DEVICE IN SCADA PANEL

NOTE: TEMP/MOISTURE DETECTORS ARE BASED ON ONE PUMP MANUFACTURER. WIRING MAY BE CHANGED AS PER ACTUAL DETECTORS FURNISHED.

**E13**

REVISIONS	
NAME	DATE