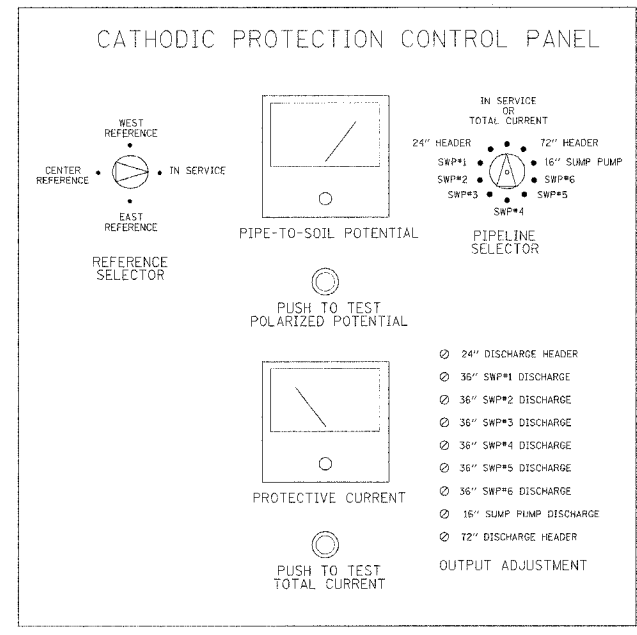
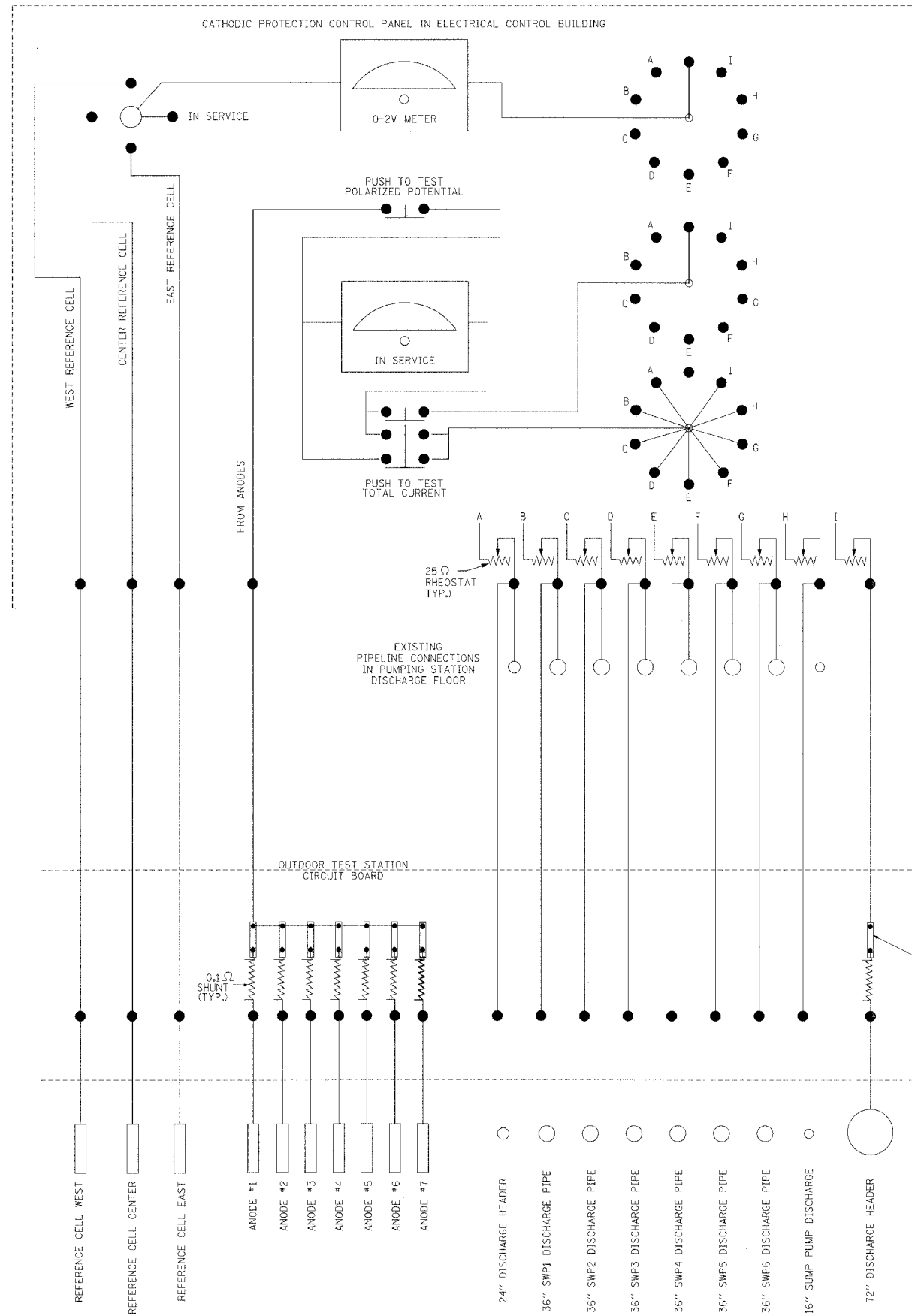
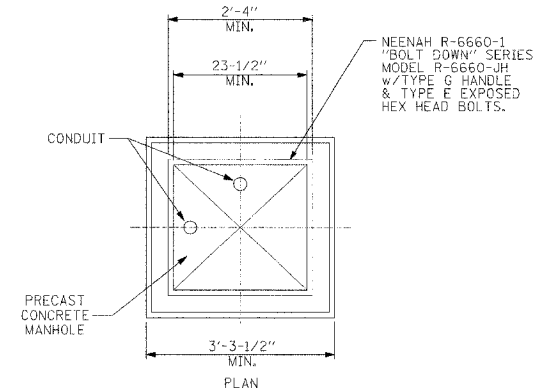
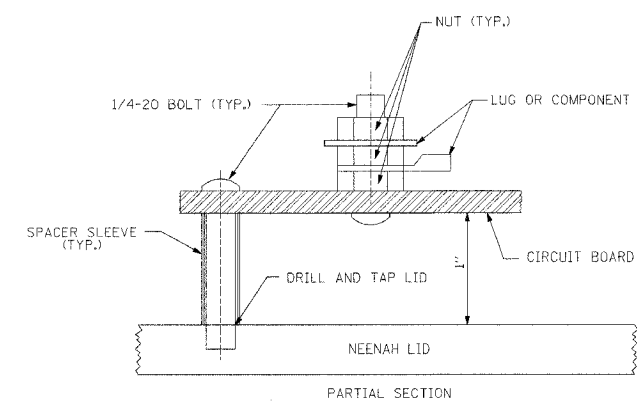
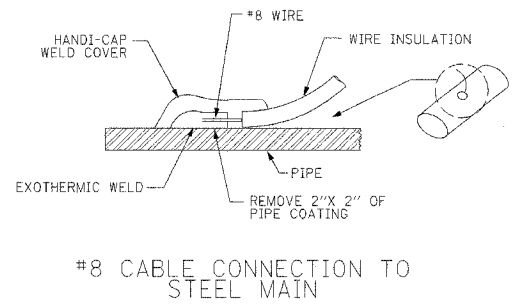


F.A.I. RTE.	SECTION	COUNTY	TOTAL SHEETS	SHEET NO.
70	82-(1,2)T-17	ST. CLAIR	77	77
FED. ROAD DIST. NO.		ILLINOIS	FED. AID PROJECT	

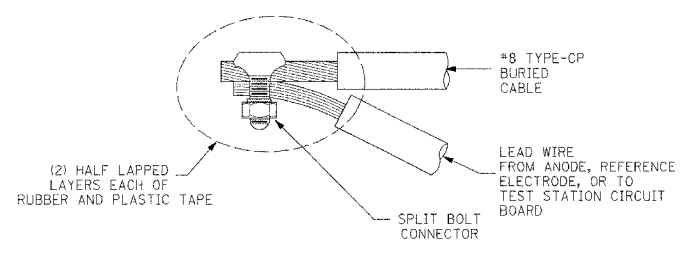
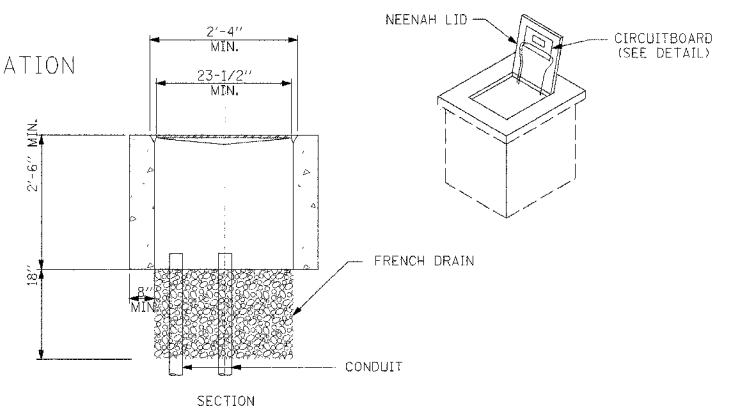
### CATHODIC PROTECTION CIRCUIT DIAGRAM



SUGGESTED CONTROL PANEL LAYOUT



OUTDOOR TEST STATION NO SCALE



CP2

REVISIONS	
NAME	DATE

ILLINOIS DEPARTMENT OF TRANSPORTATION

BOWMAN AVENUE PUMP STATION REHABILITATION

CATHODIC PROTECTION DETAILS

SCALE: AS SHOWN

DATE: 09-12-05

PLT. DATE: \*DATE-TIME\*

DRAWN BY: CTM

CHECKED BY: KC

PLAN	DATE
SURVEYED	BY
PLOTTED	BY
CHECKED	BY
DATE	
NO.	
ADD FILE NAME	

DATE-TIME

DATE-TIME

DATE-TIME

DATE-TIME

DATE-TIME

DATE-TIME

ALVORD, BURDICK & HOWSON, L.L.C.

ENGINEERS CHICAGO