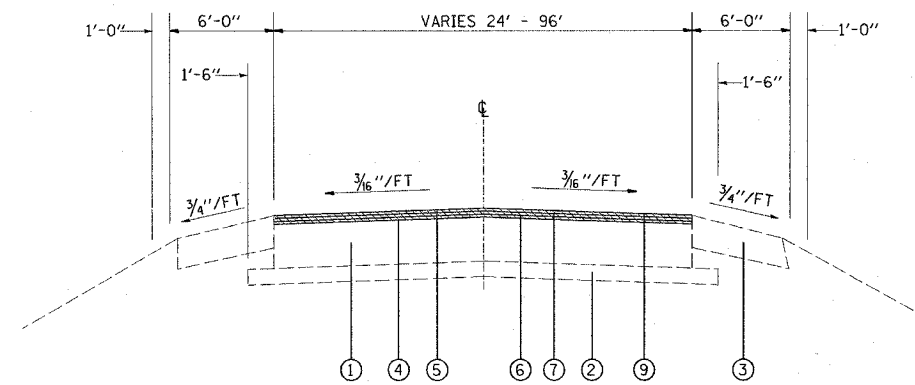
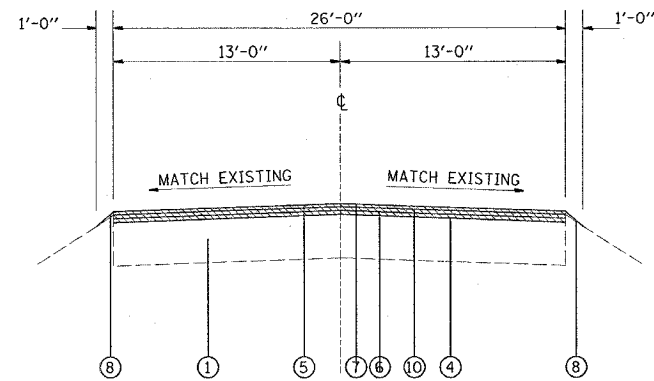


FAP ROUTE	SECTION	COUNTY	TOTAL SHEETS	SHEET NO.
609	76-1BR-1	ST. CLAIR	13	4
STA. TO STA.		CONTRACT NO.: 76862		

PLAN	DATE
BY	
DESIGNED	
PLOTTED	
INSTRUMENTED	
NOTED	
NO.	
CADD FILE NAME	

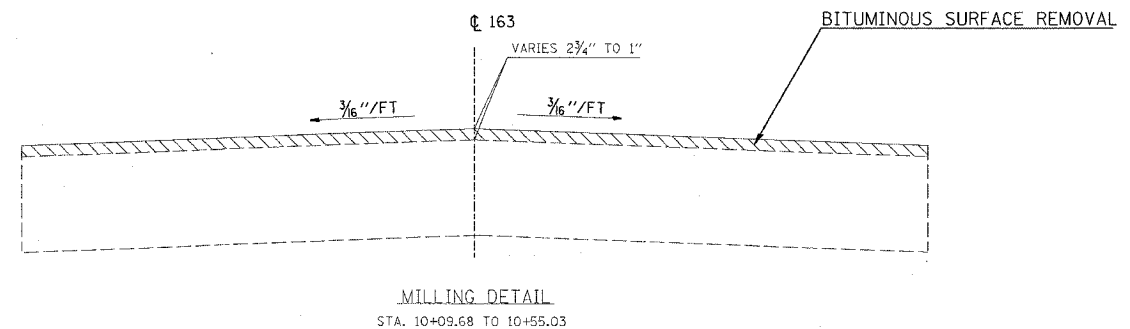


TANGENT SECTION
STA. 10+09.68 TO STA. 10+55.03

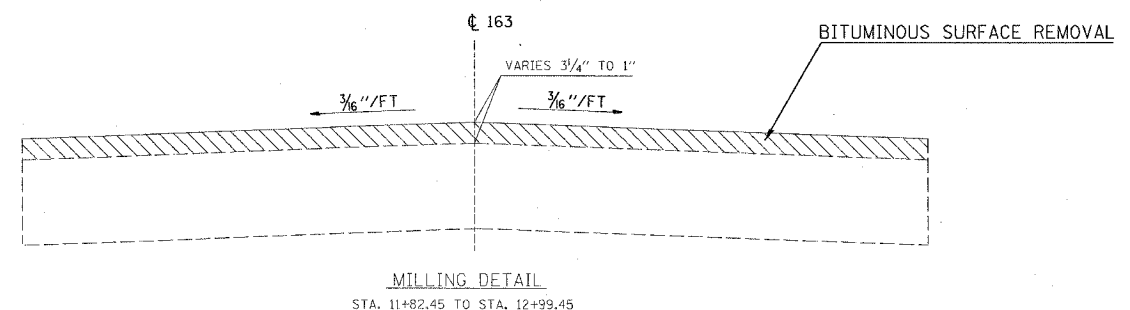


TANGENT SECTION
STA. 11+82.45 TO STA. 12+99.45

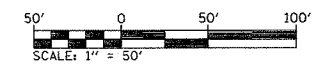
- LEGEND**
- ① EXISTING CONCRETE PAVEMENT 9-6-9
 - ② EXISTING STABILIZED SUB-BASE, 4"
 - ③ EXISTING BITUMINOUS SHOULDERS 6"
 - ④ EXISTING BITUMINOUS CONCRETE SURFACE, VARIES
 - ⑤ PROPOSED BITUMINOUS MATERIALS (PRIME COAT)
 - ⑥ PROPOSED LEVELING BINDER (MACHINE METHOD)
 - ⑦ PROPOSED BITUMINOUS SURFACE COURSE, SUPERPAVE, VARIES
 - ⑧ PROPOSED AGGREGATE SHOULDER TYPE B - 2"
 - ⑨ PROPOSED BITUMINOUS SURFACE REMOVAL, VARIES
 - ⑩ PROPOSED BITUMINOUS SURFACE REMOVAL, VARIES



MILLING DETAIL
STA. 10+09.68 TO STA. 10+55.03



MILLING DETAIL
STA. 11+82.45 TO STA. 12+99.45



NOTE: SEE TRANSITION DETAILS, SHEET NO. 2 FOR ADDITIONAL INFORMATION.

REVISIONS	
NAME	DATE

ILLINOIS DEPARTMENT OF TRANSPORTATION
TYPICAL SECTIONS
FAP ROUTE 609 (IL ROUTE 163)
SECTION 76-1BR-2
ST. CLAIR COUNTY
DRAWN BY:

PLOT DATE: *DATE-TIME*

BOATERS
DATE-TIME
DIR-SPEC
REF