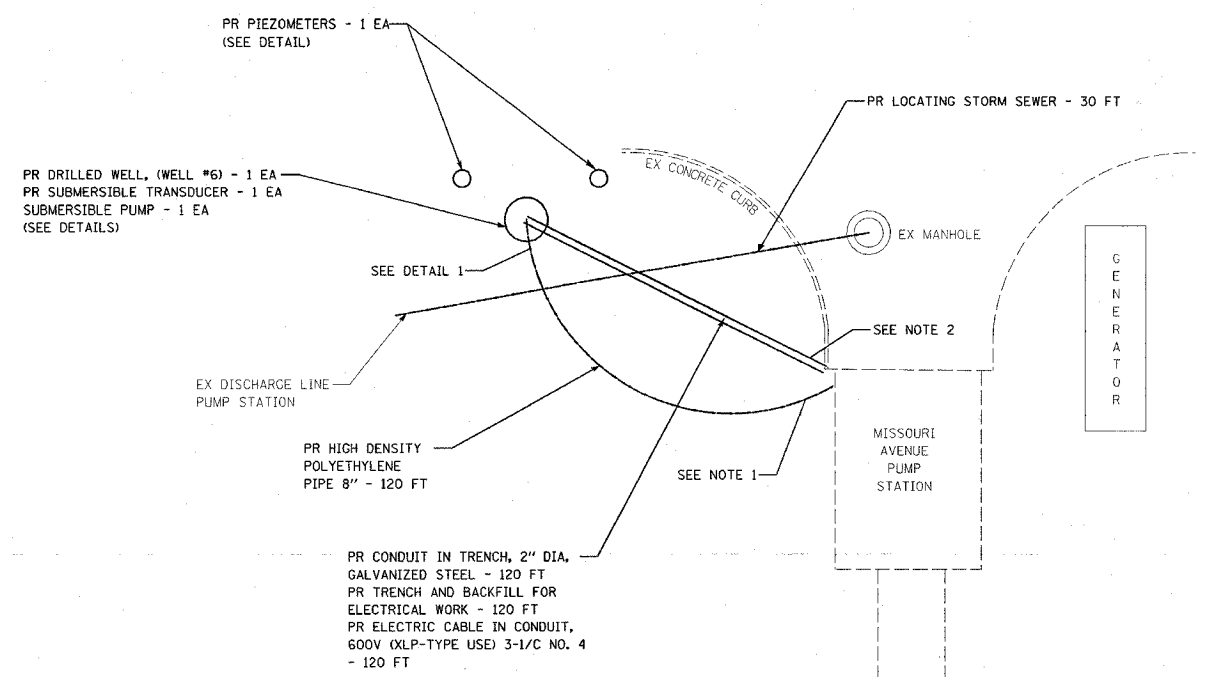
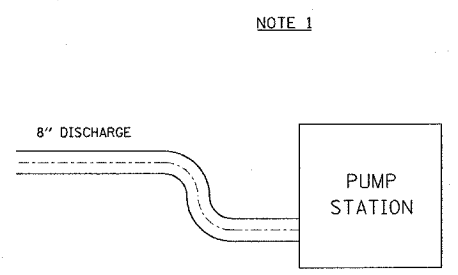
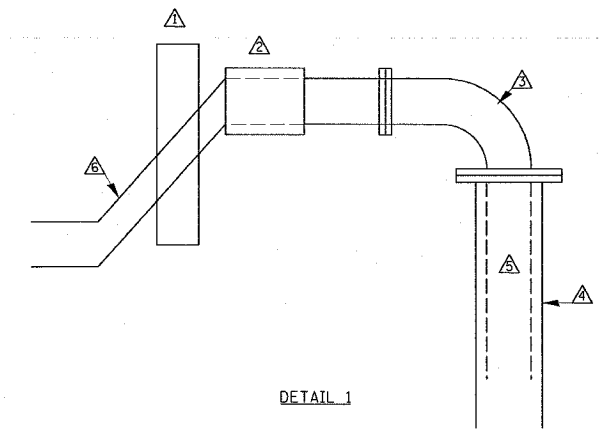


FAP ROUTE	SECTION	COUNTY	TOTAL SHEETS	SHEET NO.
	**	ST. CLAIR	8	5
STA.	TO STA.			
CONTRACT NO.: 76889				

* VARIOUS
 ** DIST 8 DEEP WELLS 2005-2



- △ CONCRETE THRUST BLOCK
- △ SS COUPLING
- △ SS 90° ELBOW
- △ SS WELL CASTING
- △ SS FLANGE COLUMN PIPE
- △ HDPE FORCE MAIN



NOTE 2
 INSTALL PROPOSED 2" CONDUIT IN GROUND AND ATTACHED TO EXISTING 2" CONDUIT ON SIDE OF PUMP STATION.

CORE DRILL HOLE THRU WALL INTO PUMP STATION DISCHARGE. INSTALL NON-SHRINK GROUT AROUND PIPE. COST WILL BE CONSIDERED AS INCLUDED IN THE INSTALLATION OF THE HDPE PIPE AND NO ADDITIONAL COMPENSATION ALLOWED.

PLAN	DATE
SUBMITTED	BY
PLOTTED	
ALIGNED	
REVISIONS CHECKED	
CAD FILE NAME	
NO.	

8401E88
 3/31/2005
 c:\projects\482705\plan\plan02705.dgn
 REF

REVISIONS	
NAME	DATE

ILLINOIS DEPARTMENT OF TRANSPORTATION
**SITE PLAN (MAGNIFIED)
 AND DETAILS**
 VARIOUS ROUTES
 SECTION DIST 8 DEEP WELLS 2005-2
 ST. CLAIR COUNTY

DRAWN BY:

PLOT DATE: 3/31/2005