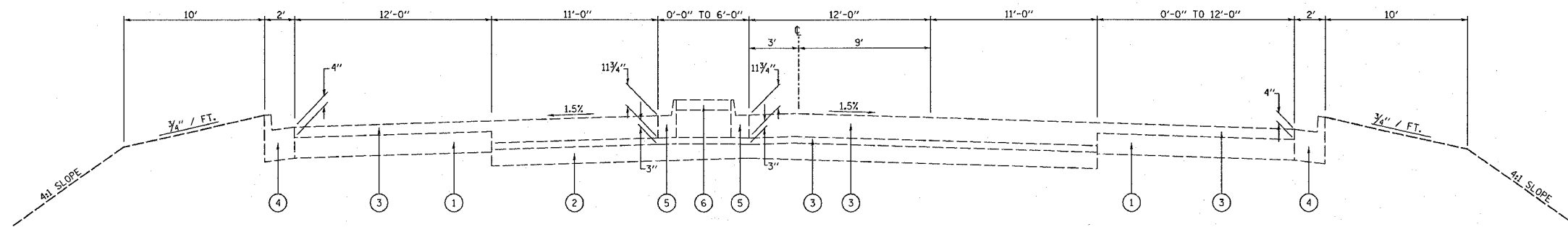
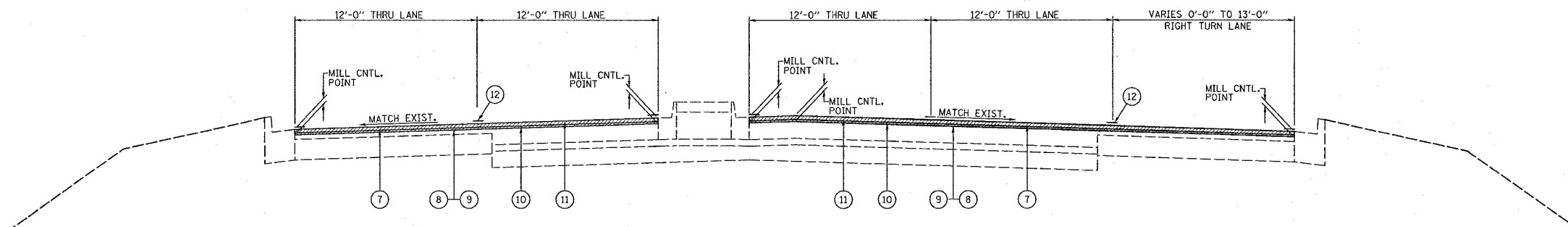


FAU RTE.	SECTION	COUNTY	TOTAL SHEETS	SHEET NO.
9128	28-RS-1	MADISON	14	5
STA.		TO STA.		
FED. ROAD DIST. NO.	ILLINOIS	FED. AID PROJECT		



EXISTING TANGENT TYPICAL SECTION
297+42 TO 299+35 W.B. 297+65 TO 299+35 E.B.

RIGHT TURN LANE
288+48 TO 290+67 E.B.
293+64 TO 297+42 W.B.



PROPOSED TANGENT TYPICAL SECTION
297+42 TO 299+35 W.B. 297+65 TO 299+35 E.B.

RIGHT TURN LANE
288+48 TO 290+67 E.B.
293+64 TO 297+42 W.B.

LEGEND

- ① EXISTING P.C.C. PAVEMENT - 8"
- ② EXISTING P.C.C. PAVEMENT - 9"
- ③ EXISTING BITUMINOUS OVERLAY - VARIES 3" TO 11 3/4"
- ④ EXISTING CONCRETE COMBINATION C&G T-B 6.24
- ⑤ EXISTING CONCRETE COMBINATION C&G T-M 6.06
- ⑥ EXISTING P.C.C. MEDIAN SURFACE - 4"
- ⑦ PROPOSED BITUMINOUS SURFACE REMOVAL - 2 1/4"
- ⑧ PROPOSED BITUMINOUS MATERIAL (PRIME COAT)
- ⑨ PROPOSED AGGREGATE (PRIME COAT)
- ⑩ PROPOSED LEVELING BINDER (MIN.) - 3/4"
- ⑪ PROPOSED SURFACE COURSE - 1 1/2"
- ⑫ PROPOSED THERMOPLASTIC PAVEMENT MARKING

PLOT DATE = 6/30/2005
 PLOT SCALE = 50.0000' / IN.
 REFERENCE = #REF#

REVISIONS	
NAME	DATE

ILLINOIS DEPARTMENT OF TRANSPORTATION
TYPICAL SECTIONS
 FAU ROUTE 9128
 SECTION 28-RS-1
 MADISON COUNTY

SCALE: VERT.
 HORIZ.
 DATE

DRAWN BY
 CHECKED BY