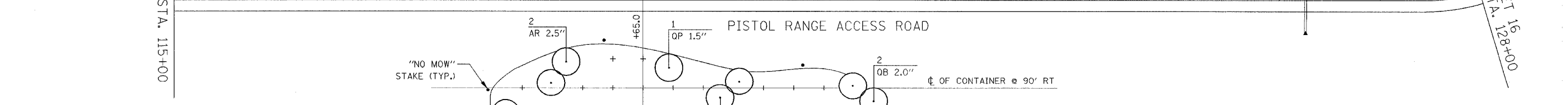
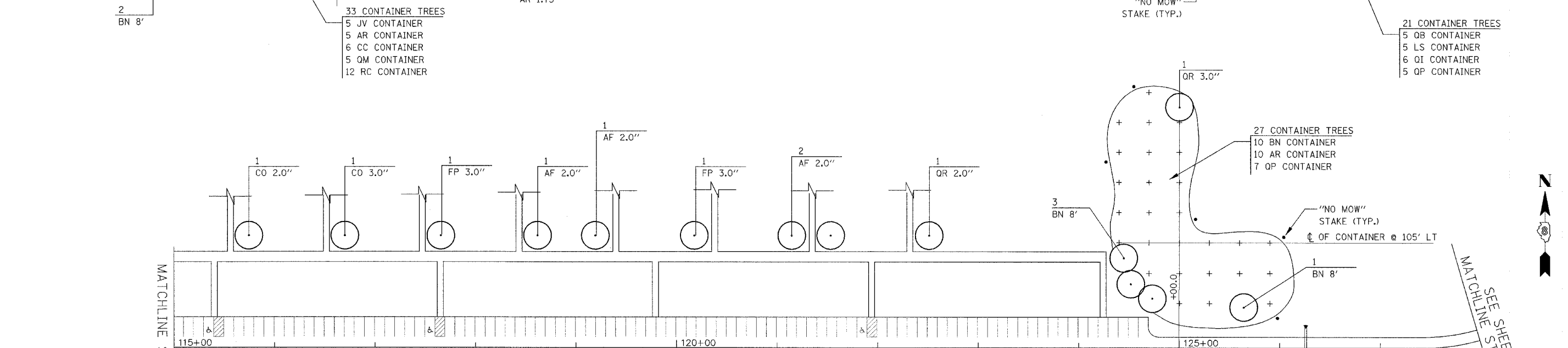
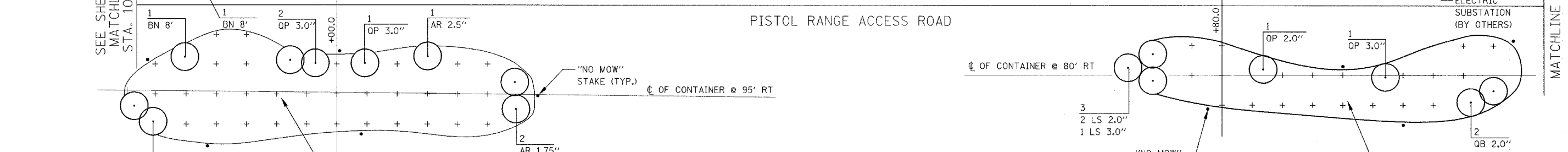
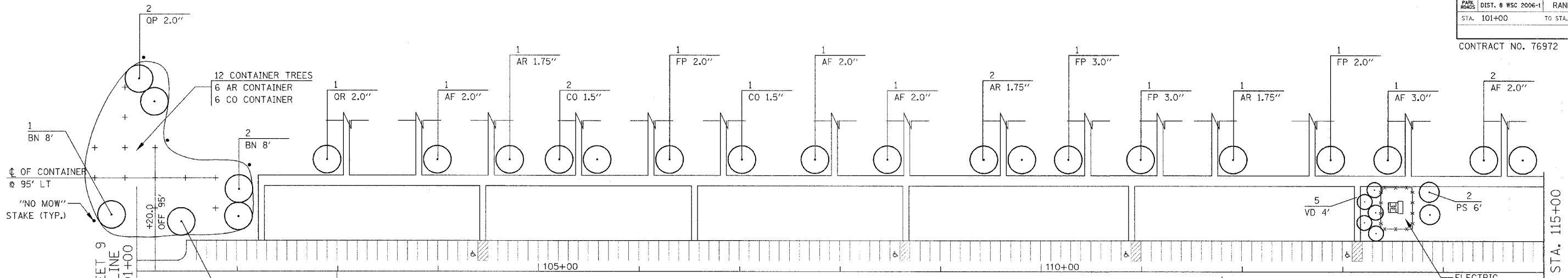


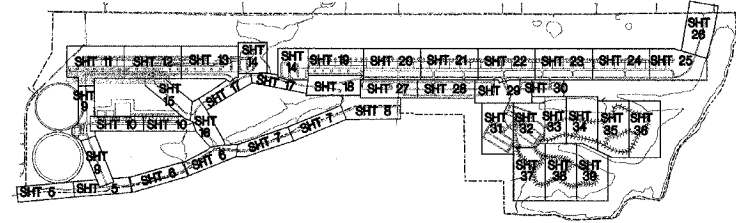
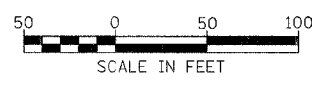
PAR NO.	SECTION	COUNTY	TOTAL SHTS	SHT NO.
PARK ROADS	DIST. 8 WSC 2006-1	RANDOLPH	45	10
STA. 101+00		TO STA. 128+00		

CONTRACT NO. 76972



- NOTES:
- LAYOUT CONTAINER TREES AT THE LOCATION DEPICTED "+".
 - TYPICAL SPACING IS 30' x 30' UNLESS OTHERWISE NOTED.
 - PLACE NO MOW STAKE AT APPROXIMATE LOCATION SHOWN A MINIMUM OF 10' FROM ANY CONTAINER SHRUBS OR TREES

- 24 CONTAINER TREES
 6 QP CONTAINER
 6 AR CONTAINER
 6 QB CONTAINER
 6 BN CONTAINER



ILLINOIS DEPARTMENT OF TRANSPORTATION
PLAN VIEW
PISTOL RANGE ACCESS ROAD
LANDSCAPING
 PARK ROADS
 SECTION DIST. 8 WSC 2006-1
 RANDOLPH COUNTY
 DRAWN BY: