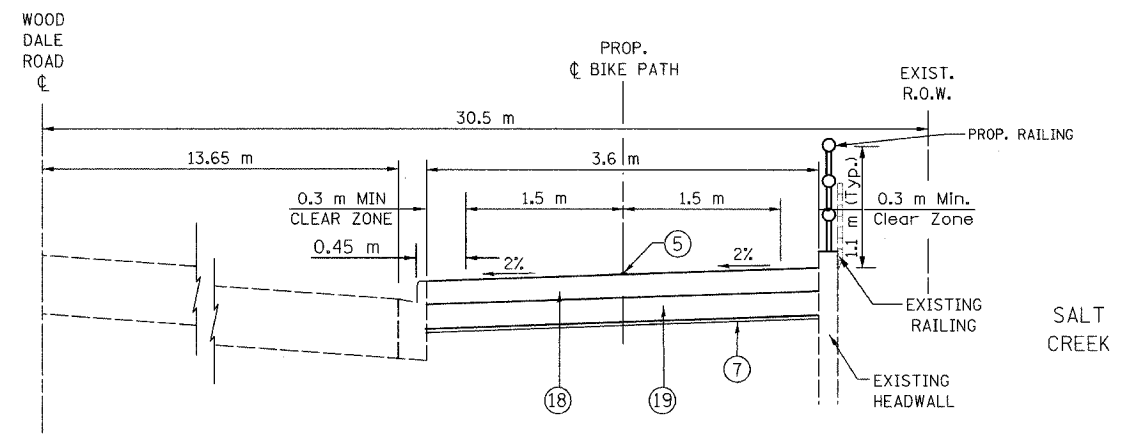
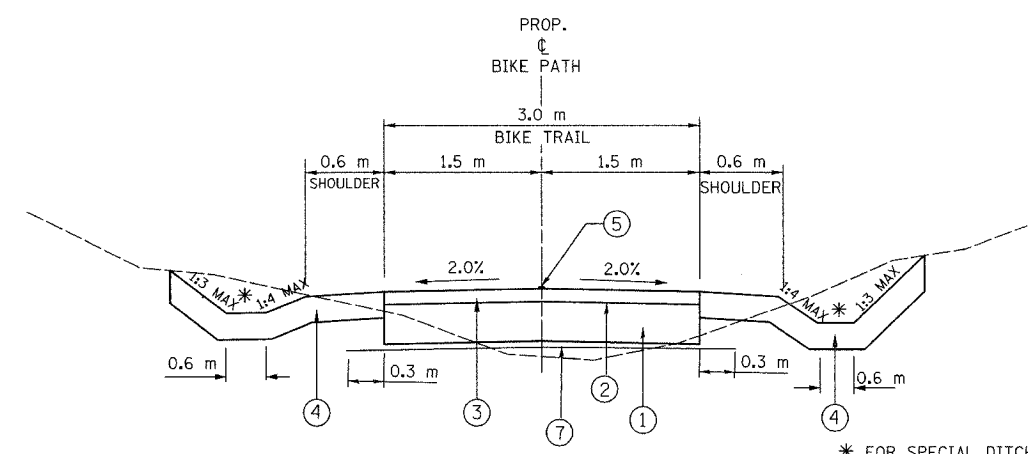


SECTION	COUNTY	TOTAL SHEETS	SHEET NO.
02-00090-00-BT	DUPAGE	117	8
STA. TO STA.			
IDOT PROJECT NO. M-8003(222)			
SALT CREEK GREENWAY TRAIL			

CONTRACT NO. 83713

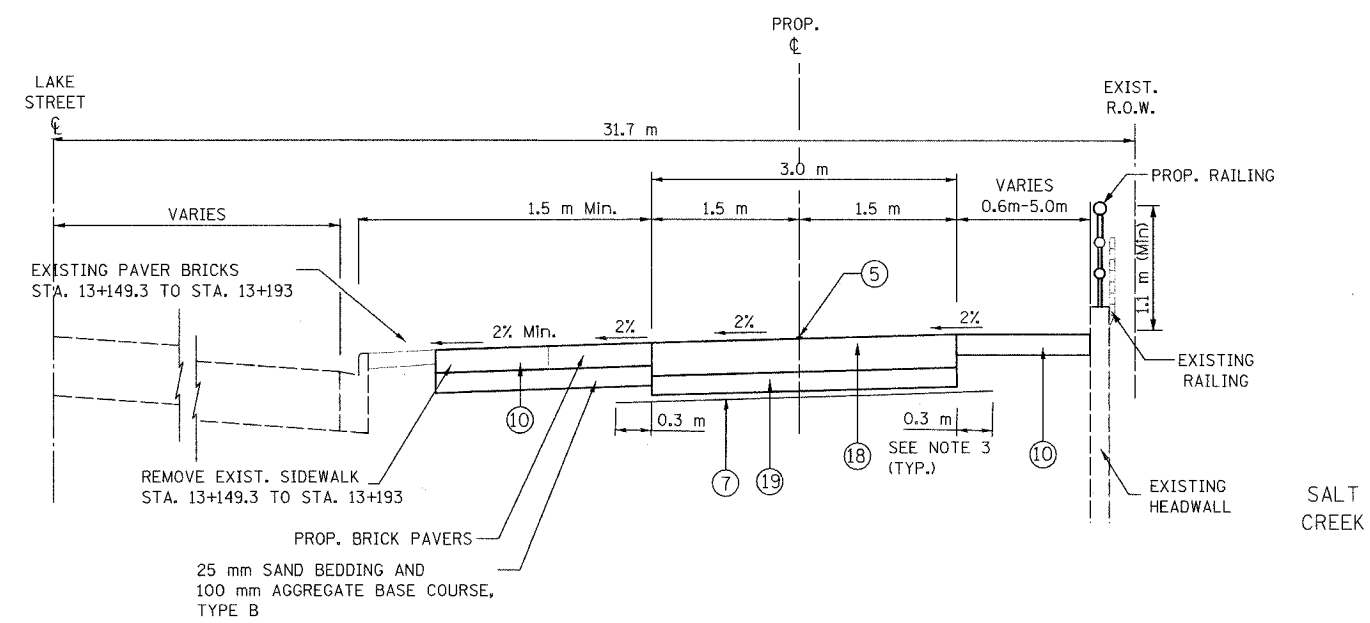


PROPOSED TYPICAL SECTION
 STA. 13+012 TO STA. 13+079.0
 STA. 13+079. TO STA. 13+146.54 - EXIST. INTERSECTION

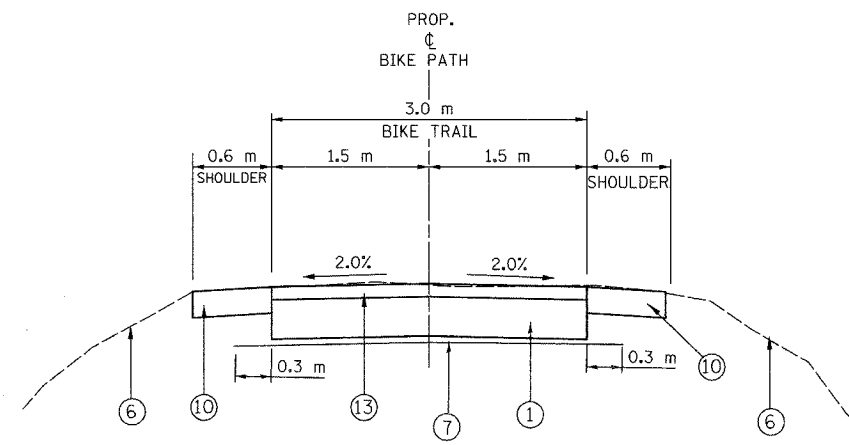


PROPOSED TYPICAL SECTION
 STA. 13+192.45 TO STA. 13+625

* FOR SPECIAL DITCH DETAILS
 SEE CROSS SECTIONS



PROPOSED TYPICAL SECTION
 STA. 13+146.54 TO STA. 13+192.45



PROPOSED TYPICAL SECTION
 STA. 13+625 TO STA. 14+447.558

OMMISSION: STA. 14+447.558 TO 15+800 (EXISTING TRAIL)

ITEM	AC TYPE	VOIDS	RAP %	USAGE
BITUMINOUS CONCRETE SURFACE COURSE, SUPERPAVE, MIX. C, N50	PG 64-22	4% @ 50 GYR	15%	BIKE PATH SURFACE

DESIGNER USED UNIT WEIGHT 112 LBS/SQ YD/IN (2.39 KG/SM/MM) FOR CALCULATION PURPOSES

LEGEND:

- ① AGGREGATE BASE COURSE, TYPE B, 150 mm
- ② BITUMINOUS PRIME COAT
- ③ BITUMINOUS CONCRETE SURFACE COURSE, SUPERPAVE MIX "C", N50, 50 mm
- ④ 150 mm TOP SOIL AND SEEDING CLASS 4A
- ⑤ PAINT PAVEMENT MARKING, 100 mm YELLOW
- ⑥ EXISTING GROUND
- ⑦ GEOTECHNICAL FABRIC FOR GROUND STABILIZATION
- ⑧ PRECAST BLOCK RETAINING WALL
- ⑨ EXISTING SIDEWALK TO BE REMOVED
- ⑩ 150 mm TOP SOIL AND SEEDING, CLASS 1 B
- ⑪ EARTH EXCAVATION
- ⑫ SUITABLE EMBANKMENT MATERIAL (NO TOPSOIL)
- ⑬ LIMESTONE SCREENINGS 50 mm
- ⑭ PCC SIDEWALK PAVEMENT 150 mm
- ⑮ AGGREGATE BASE COURSE, TYPE B, 100 mm

REVISIONS		
NO.	NAME	DATE

URS 1701 GOLF ROAD, SUITE 1000 TEL (847) 228-0707
 ROLLING MEADOWS, IL 60008 FAX (847) 228-1115

VILLAGE OF ADDISON
SALT CREEK GREENWAY TRAIL
 TYPICAL SECTIONS
 DATE: 7/18/05 DRAWN BY: MIA&VP
 DESIGNED BY: MIA CHECKED BY: DDL