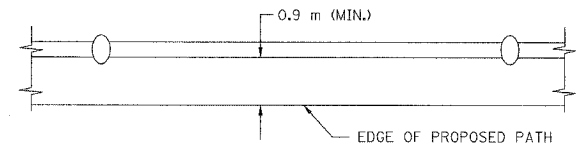
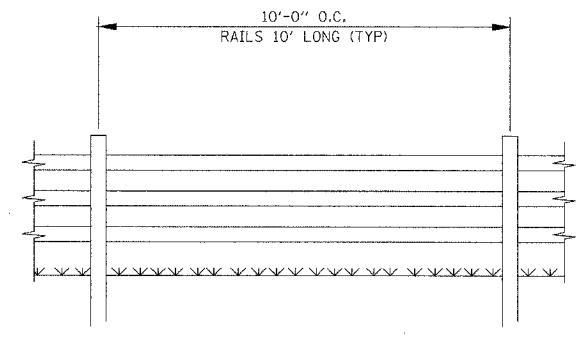
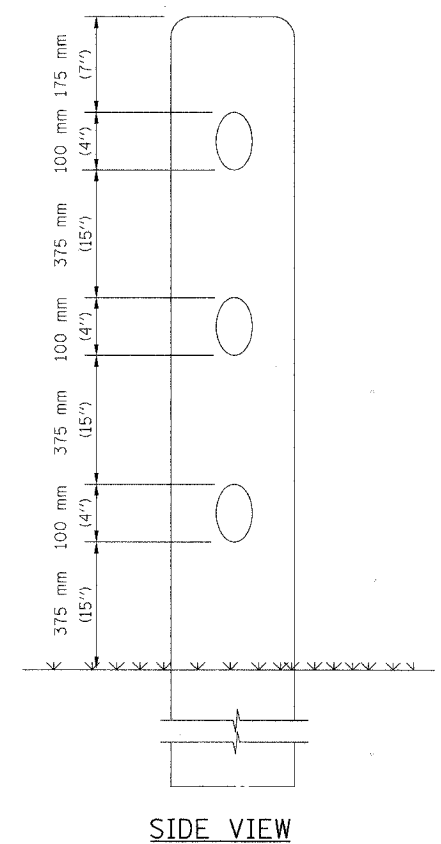
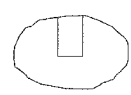
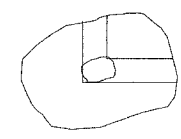
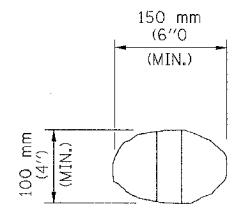
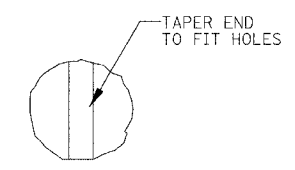


SECTION	COUNTY	TOTAL SHEETS	SHEET NO.
02-00090-00-BT	DUPAGE	117	36
STA. TO STA.			
IDOT PROJECT NO. M-8003(222)			
SALT CREEK GREENWAY TRAIL			
CONTRACT NO. 83713			

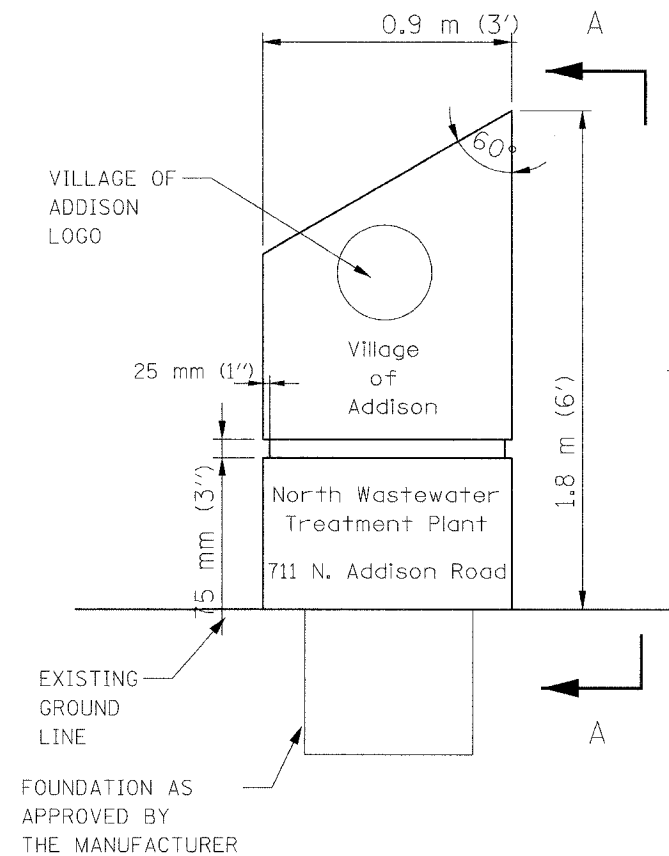


NOTE: ALL RAILS SHALL BE SPIKED TO POST W/GALVANIZED GUTTER SPIKES.

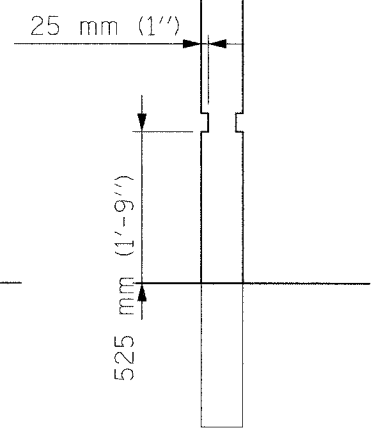


RAIL END (TYP.) LINE POST-TOP (TYP.) CORNER POST-TOP (TYP.) END POST TOP (TYP.)

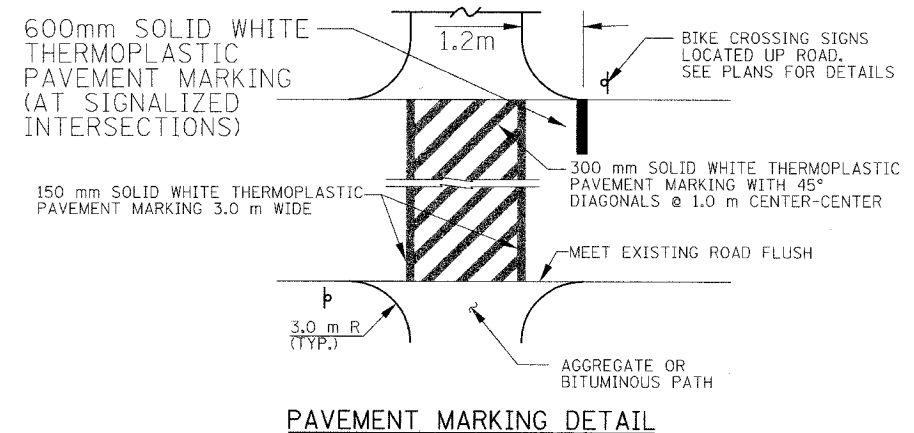
RUSTIC RAIL FENCE DETAIL



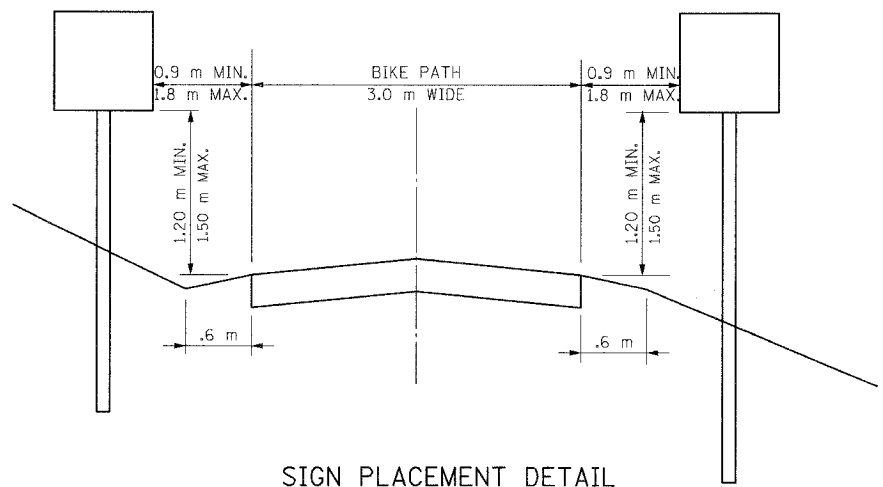
ENTRANCE MONUMENT DETAIL



SECTION A-A



PAVEMENT MARKING DETAIL



SIGN PLACEMENT DETAIL

REVISIONS		
NO.	NAME	DATE

URS 1701 GOLF ROAD, SUITE 1000 TEL (847) 228-0707
 ROLLING MEADOWS, IL 60008 FAX (847) 228-1115

VILLAGE OF ADDISON
SALT CREEK GREENWAY TRAIL
MISCELLANEOUS DETAILS

DATE: 10/22/04 DRAWN BY: MIA&VP
 DESIGNED BY: MIA CHECKED BY: DDL