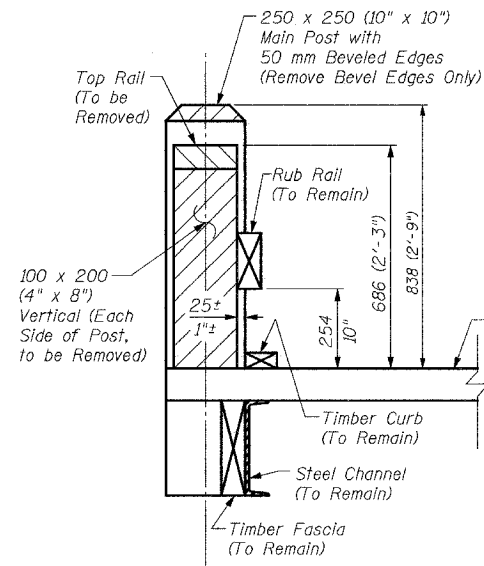
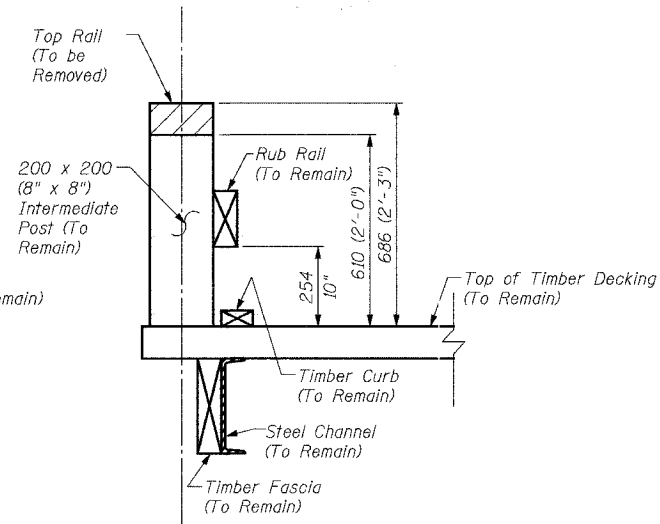


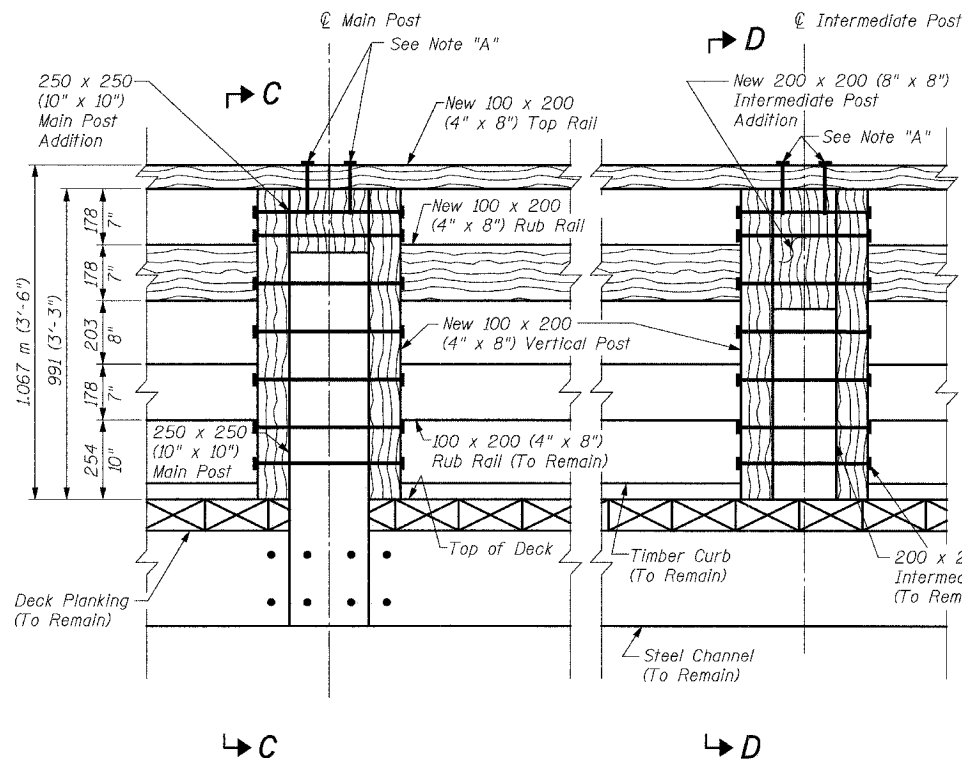
DETAIL 1
 (Showing Removal)



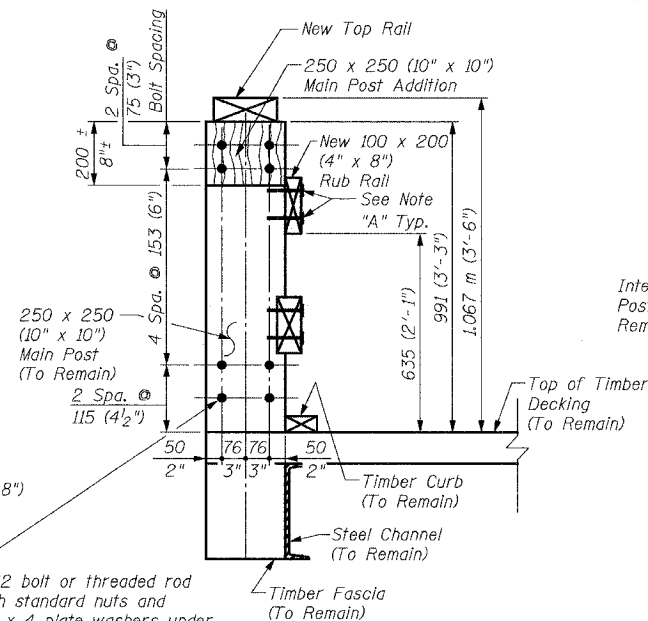
SECTION A-A
 (Showing Removal)



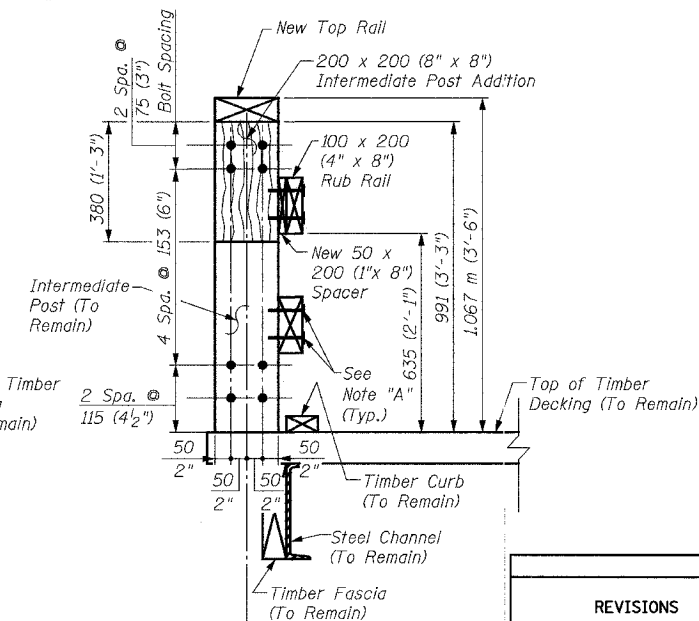
SECTION B-B
 (Showing Removal)



DETAIL 2
 (Showing New Railing)



SECTION C-C
 (Showing New Railing)



SECTION D-D
 (Showing New Railing)

Note "A":
 Attach top rail and rub rail to intermediate and main posts with 60d galvanized common wire nails with 5 nails per attachment location. Contractor shall pre-drill 3 mm diameter holes to avoid splitting timber.

LEGEND

- Existing Timber Railing to be removed
- New Timber Railing

REVISIONS		NAME	DATE

URS

1701 GOLF ROAD, SUITE 1000
 ROLLING MEADOWS, IL 60008

TEL (847) 228-0707
 FAX (847) 228-1115

VILLAGE OF ADDISON
 SALT CREEK GREENWAY TRAIL
 BRIDGE RAILING STA. 9+464.942
 DETAILS

DATE: 11/03/04
 DESIGNED BY: MDS

DRAWN BY: MDS
 CHECKED BY: GAT