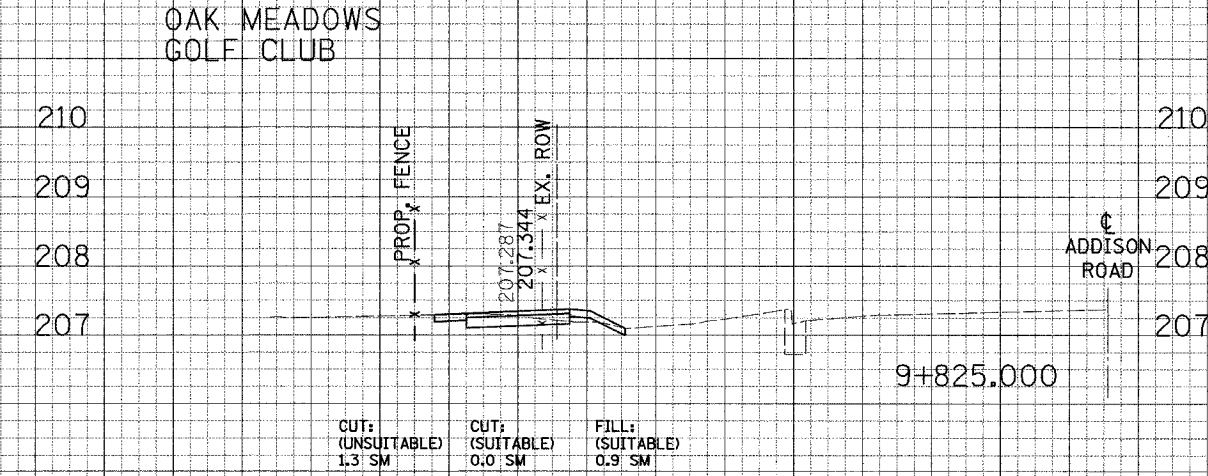
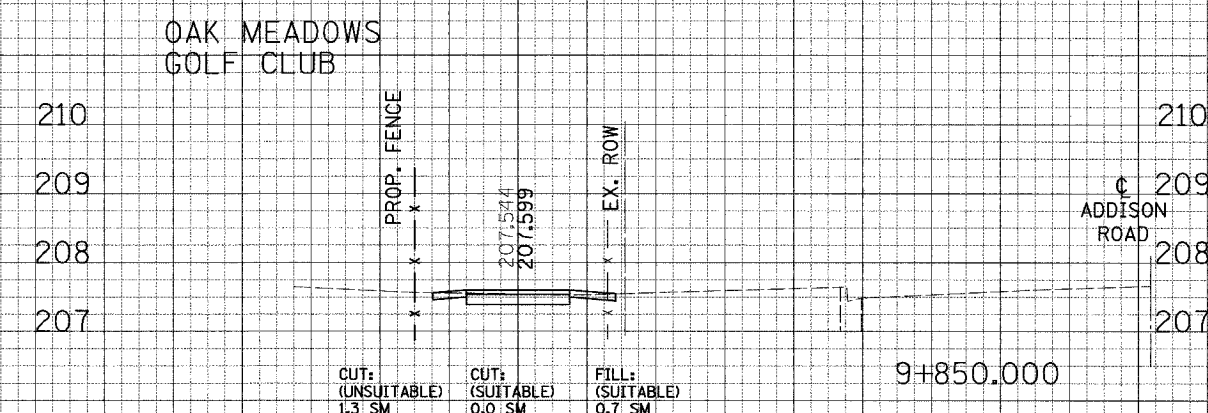
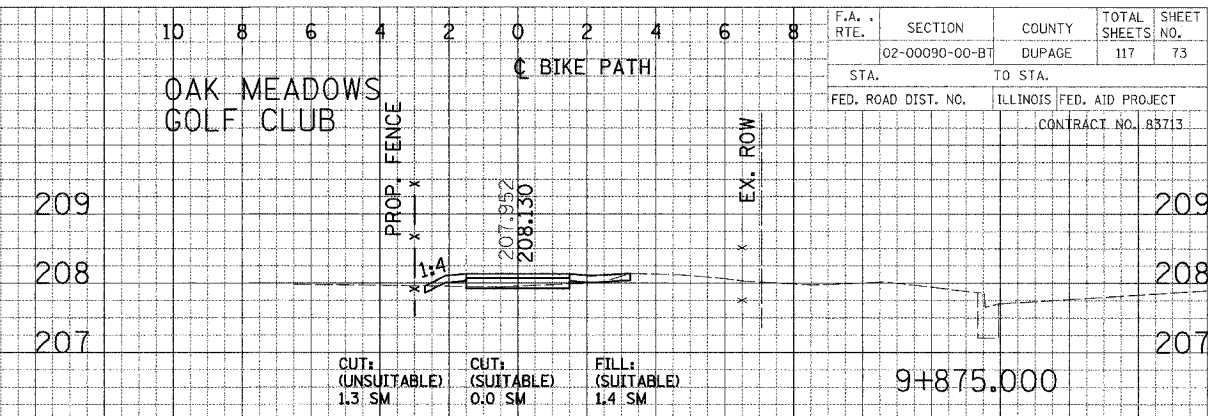
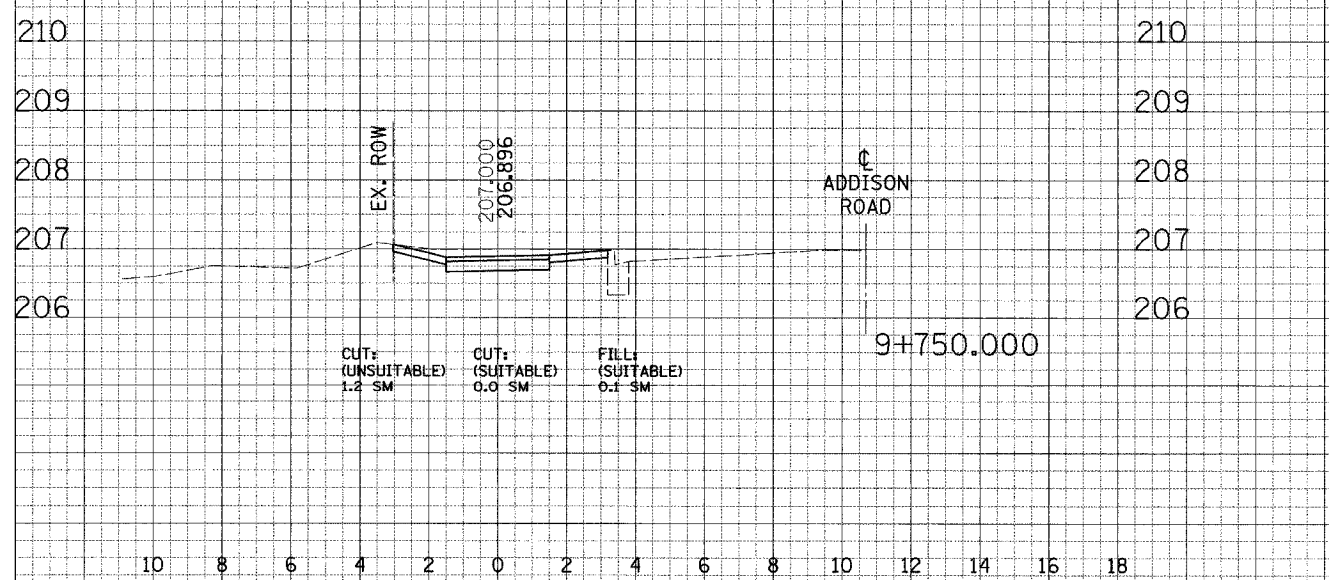
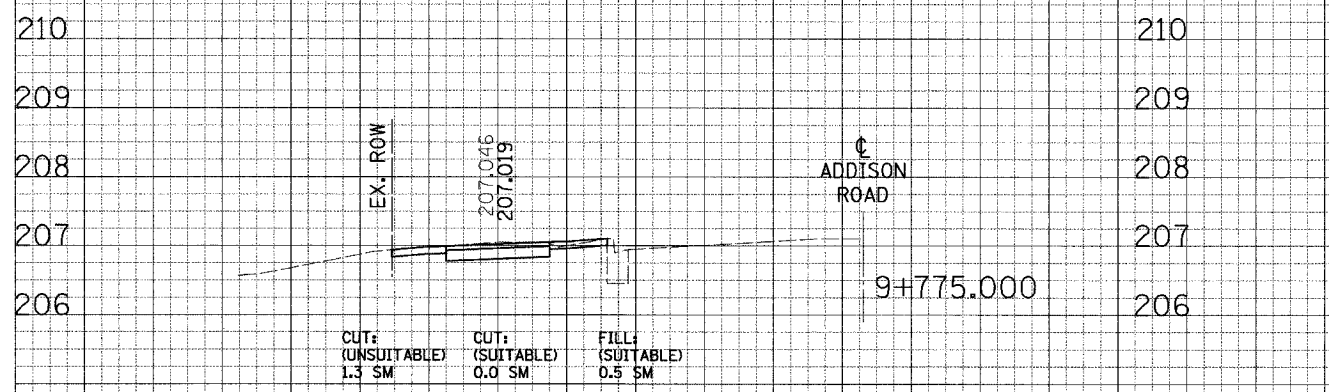
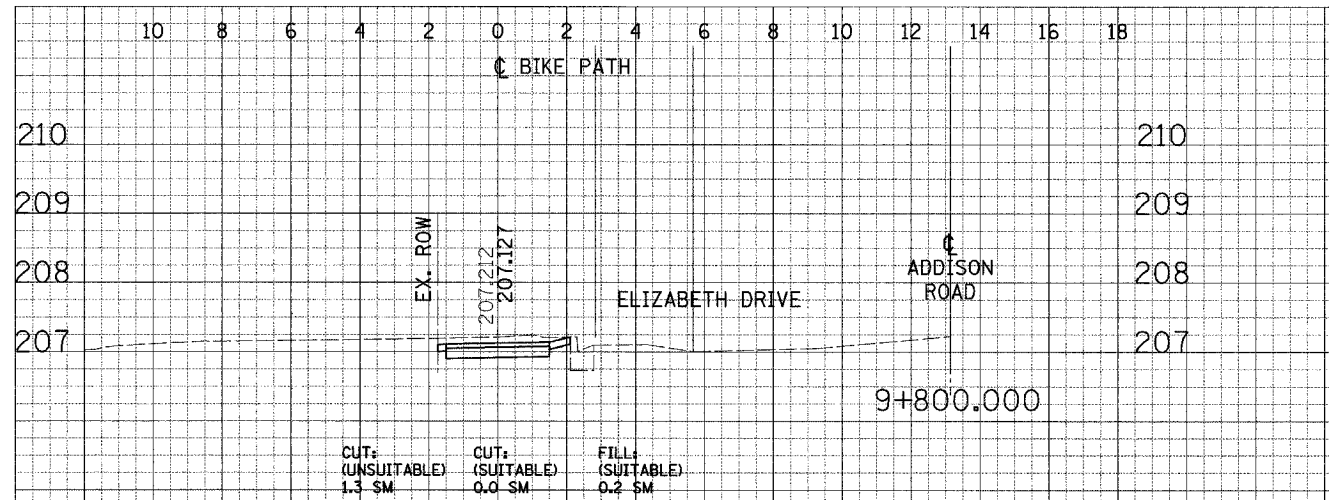


DATE	
BY	
FINAL SURVEY	
PLOTTED	
NOTE BOOK	
AREAS CHECKED	

DATE	
BY	
ORIGINAL SURVEY	
PLOTTED	
NOTE BOOK	
AREAS CHECKED	

F.A. RTE.	SECTION	COUNTY	TOTAL SHEETS	SHEET NO.
	02-00090-00-BT	DUPAGE	117	73
STA.	TO STA.			
FED. ROAD DIST. NO.	ILLINOIS FED. AID PROJECT			
	CONTRACT NO. 83713			



CROSS SECTIONS - NORTH DUPAGE