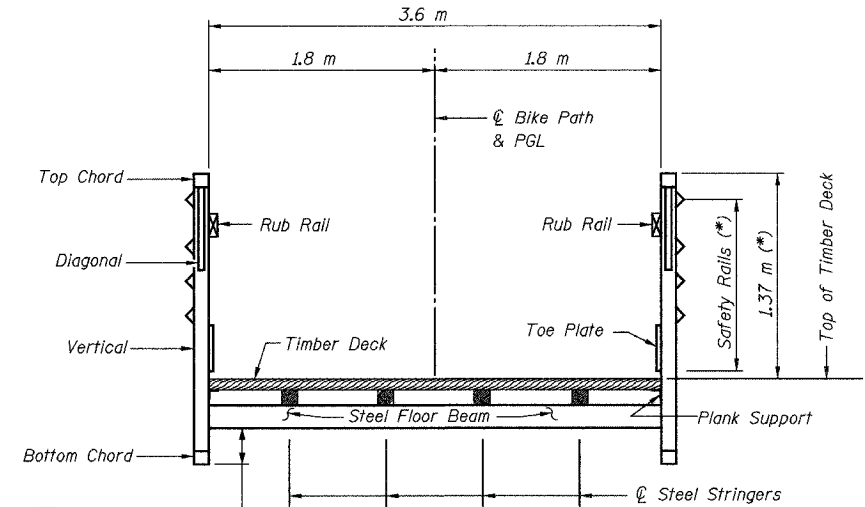


**ELEVATION OF BRIDGE OVER SALT CREEK (ELDRIDGE PARK)**  
(Looking South)



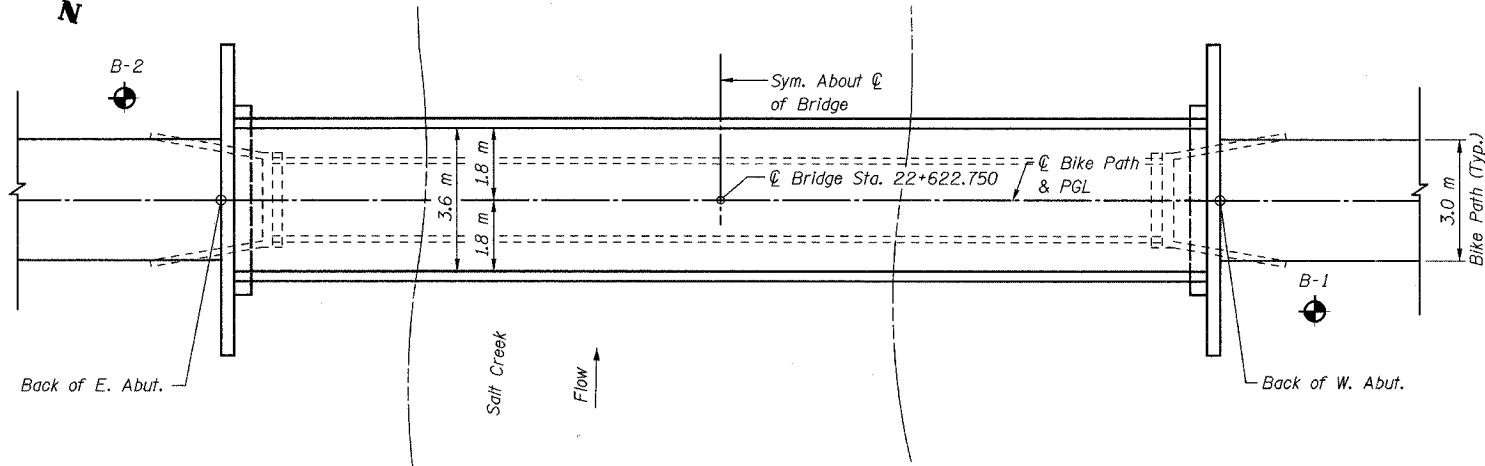
**TYPICAL CROSS SECTION**

\*\*Note  
Bridge Fabricator to adjust depth so that bottom chord elevation is above high water elevation.

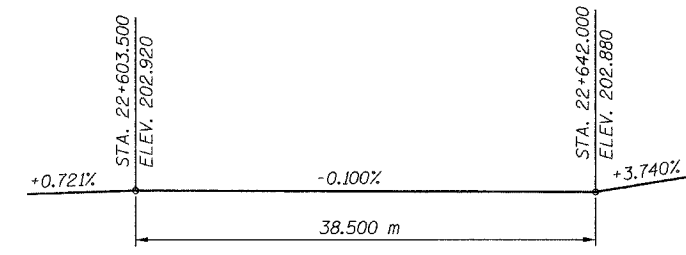
(\*) Note:  
If the top of the chord is greater than 1.37 m above the top of deck, a second rub rail shall be placed at 1.37 m above top of deck.

**TOTAL BILL OF MATERIAL**

Item	Unit	Total
Structure Excavation	Cu. M	42
Concrete Structures	Cu. M	13.9
Reinforcement Bars, Epoxy Coated	kg	990
Pedestrian Bridge Superstructure	Sq. M	139
Furnishing Steel Piles HP310x79	Meter	100
Driving Steel Piles	Meter	100
Test Pile Steel HP310x79	Each	1
Metal Shoes	Each	5
Concrete Removal	Cu. M	10
Removal of Existing Superstructures	Each	1



**PLAN**



**PROFILE GRADE**

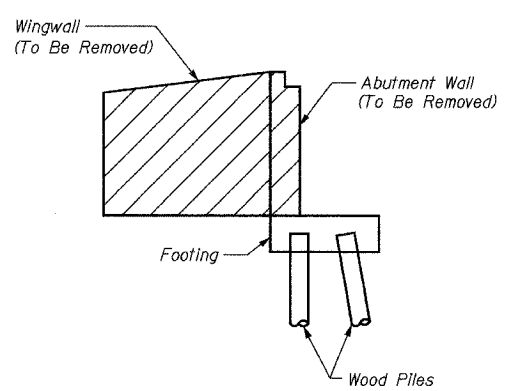
**GENERAL NOTES:**

- The superstructure, including all truss members, railings, toe plates, bearings, wood deck, and all attachments on superstructure, shall be designed and detailed by the Contractor.
- Reinforcement bars shall conform to the requirements of AASHTO M 31M, M 42M, or M 53M Grade 400.
- Bearing seat surfaces shall be constructed or adjusted to the designated elevations within a tolerance of 3 mm. Adjustment shall be made either by grinding the surface or by shimming the bearing. Two 3 mm adjusting shims, of the dimensions of the bottom bearing plate, shall be provided for each bearing in addition to all other plates or shims.
- The Contractor shall drive one (1) test pile in the permanent location at the West Abutment (center pile of group) as directed by the Engineer before ordering the remainder of the piles.
- The profile of the structure shall be as shown, and as specified in the Special Provisions for camber.
- The Contractor shall verify the final location of anchor bolts with the Bridge Manufacturer prior to construction and placement.
- All dimensions are in millimeters (mm) except as noted.
- For Soil Boring Logs see Special Provisions.



Signature: [Signature]  
Current Date: 7/21/05  
License Expires: 11/30/06

"I certify that to the best of my knowledge, information and belief, this bridge design is structurally adequate for the design loading shown on the plans. The design is an economical one for the style of structure and complies with the requirements of the current 'AASHTO Standard Specifications for Highway Bridges'."



**EXISTING ABUTMENT**  
(Showing Removal)

**DESIGN SPECIFICATIONS**

2002 AASHTO Standard Specifications for Highway Bridges, 17th Edition.  
Illinois Department of Transportation Standard Specifications for Road & Bridge Construction, adopted January 1, 2002 and Supplemental Specifications and Recurring Special Provisions adopted January 1, 2004.  
AASHTO Guide Specifications for the Design of Pedestrian Bridges, 1997 Edition.

**SEISMIC DATA**

Seismic Performance Category (SPC) = A  
Bedrock Acceleration Coefficient (A) = 0.04g  
Site Coefficient (S) = 1.0

**CLASSIFICATION**

Pedestrian/Bicycle Bridge

**DESIGN STRESSES**

$f'_c = 24 \text{ MPa}$   
 $f_y = 400 \text{ MPa (Reinf.)}$

**LOADING**

Live Loading + Impact  
4100 N/Sq. M Live Load (May be adjusted for influence area)  
50kN Vehicle Load (MS-5 Truck)

Equivalent Fluid Lateral Soil Pressure  
6.3 kN/Cu. M

**LEGEND**

- Soil Boring
- Concrete Removal

SHEET S15 of S33

REVISIONS		NAME	DATE
NO.	DESCRIPTION		

**URS** 1701 GOLF ROAD, SUITE 1000 TEL (847) 228-0707  
ROLLING MEADOWS, IL 60008 FAX (847) 228-1115

VILLAGE OF OAKBROOK  
**SALT CREEK GREENWAY TRAIL**  
**PEDESTRIAN BRIDGE, STA 22+622.75**  
**GENERAL PLAN AND ELEVATION**

DATE: 06/30/05  
DESIGNED BY: MDS  
DRAWN BY: MDS  
CHECKED BY: GAT