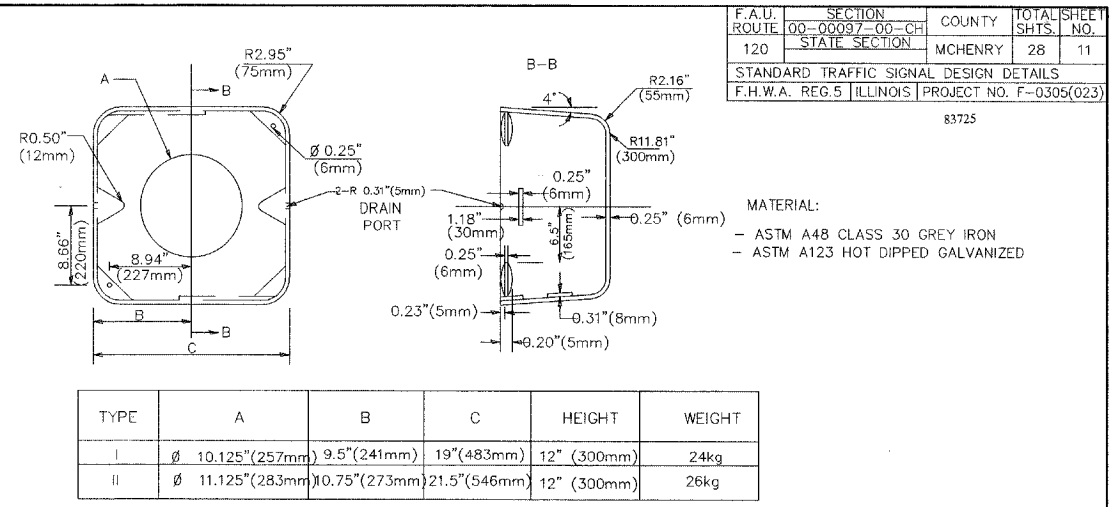
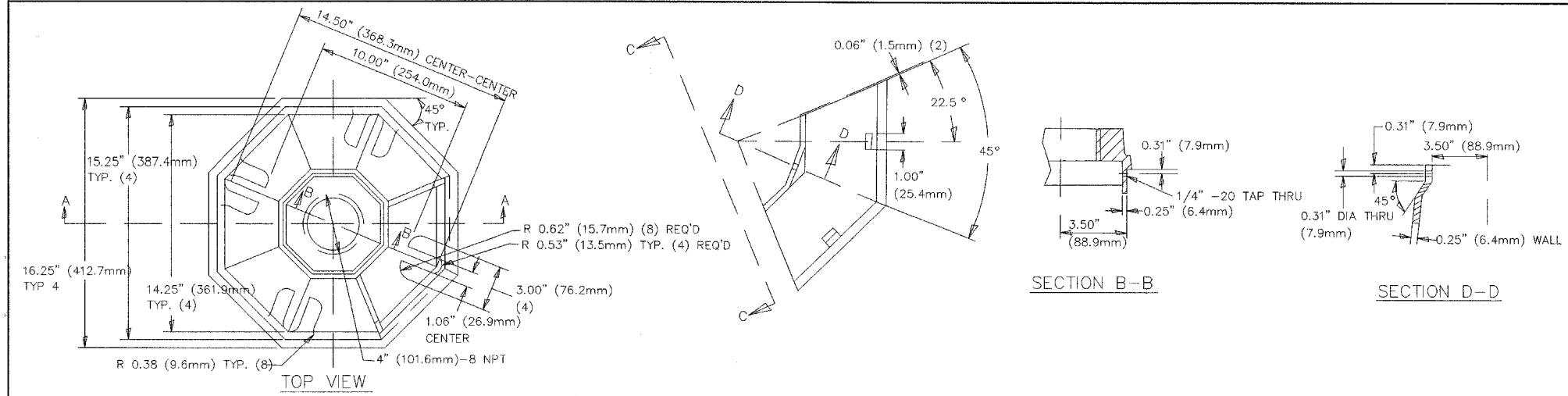
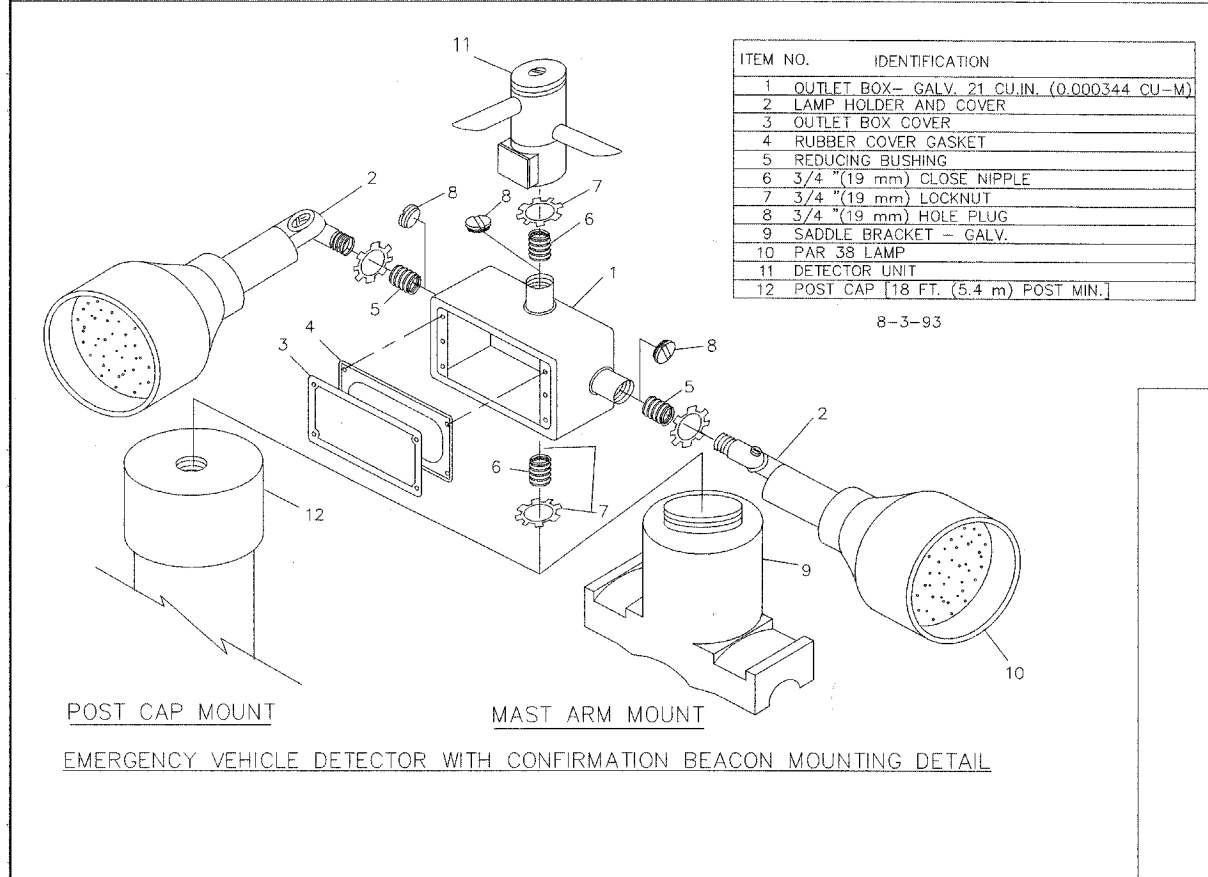
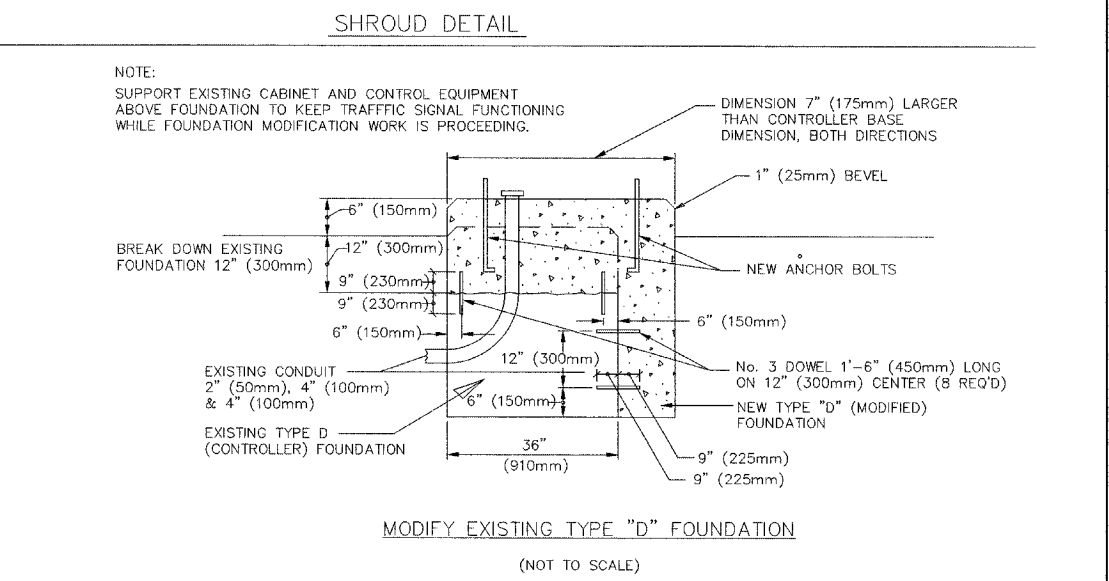
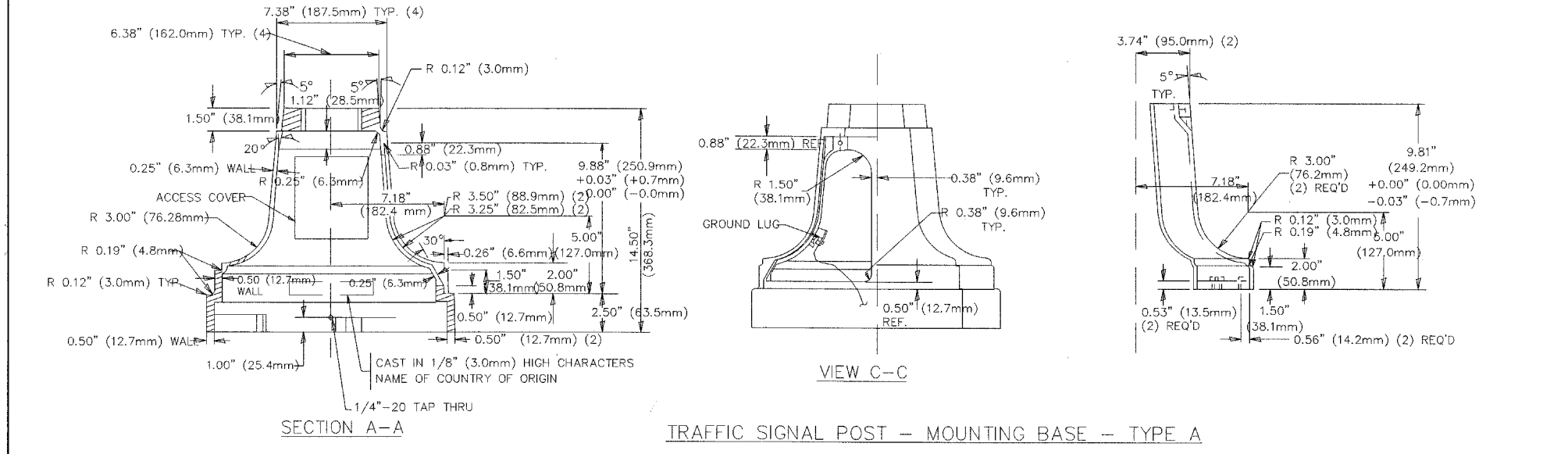


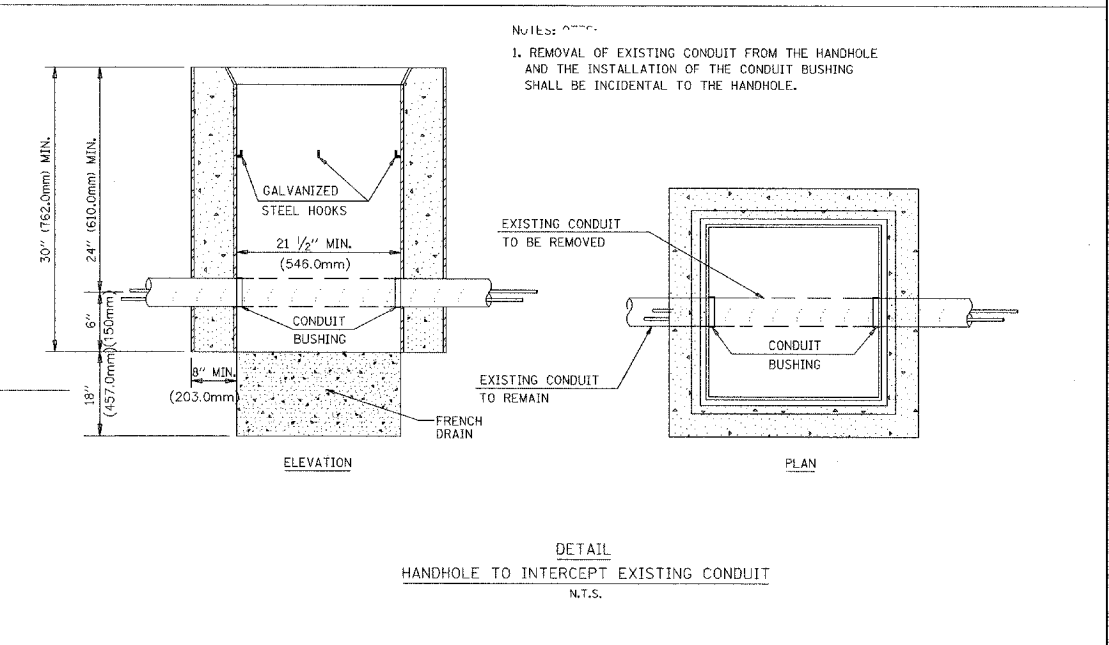
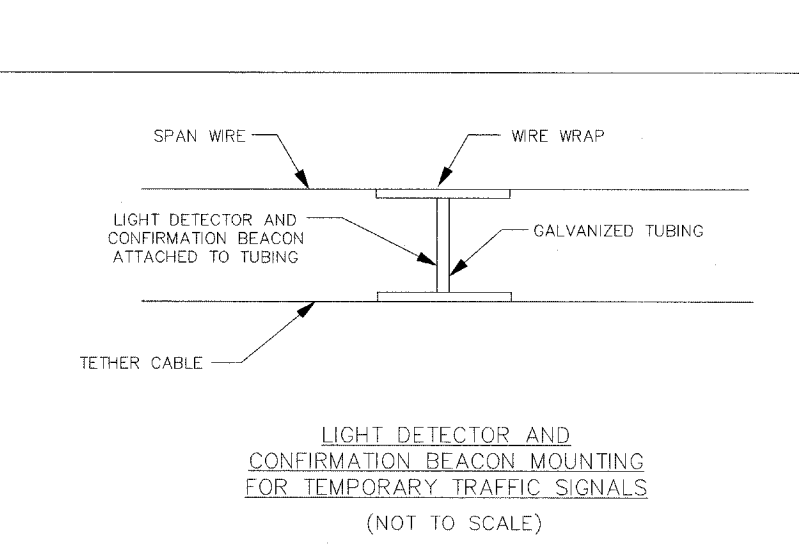
F.A.U. ROUTE 120	SECTION 00-0097-00-CH STATE SECTION	COUNTY MCHENRY	TOTAL SHEET 28	SHTS. NO. 11
STANDARD TRAFFIC SIGNAL DESIGN DETAILS				
F.H.W.A. REG. 5 ILLINOIS PROJECT NO. F-0305(023)				



TYPE	A	B	C	HEIGHT	WEIGHT
I	Ø 10.125\"(257mm)	9.5\"(241mm)	19\"(483mm)	12\"(300mm)	24kg
II	Ø 11.125\"(283mm)	10.75\"(273mm)	21.5\"(546mm)	12\"(300mm)	26kg



- NOTES:**
- ALL ELECTRICAL ITEMS, EXCEPT ITEMS #2 AND #11 SHALL BE ALUMINUM OR GALVANIZED
 - ITEM #1- OZ/GEDNEY FSX-1-50 OR EQUIVALENT
 ITEM #2- MULBERRY CON-0-SHADE LAMP SHIELD OR EQUIVALENT
 ITEM #9- "BAND-IT" SADDLE BRACKET OR EQUIVALENT
 - WHEN POST MOUNTING IS SPECIFIED, ITEM #9 SHALL NOT BE REQUIRED. THE DETECTION UNIT SHALL BE MOUNTED DIRECTLY ON TOP OF THE CAP BY DRILLING AND TAPPING A 3/4\"(19 mm) HOLE WITH PIPE THREADS. THE POST CAP SHALL EITHER BE SCREWED TO THE TOP OF THE POST OR A MINIMUM OF 3 TIGHTENING SCREWS SHALL BE REQUIRED ON EACH CAP.



ILLINOIS DEPARTMENT OF TRANSPORTATION	
DISTRICT ONE STANDARD TRAFFIC SIGNAL DESIGN DETAILS	
DATE	VERT. NONE
REVISIONS	HORZ. NONE
	DATE: 1-01-02
	DRAWN BY: RWP DESIGNED BY: DAD CHECKED BY: DAZ SHEET 4 OF 4