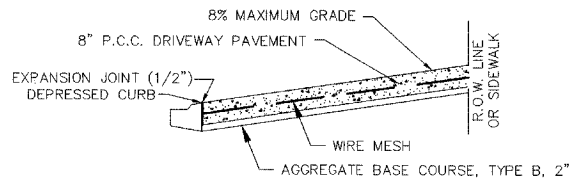
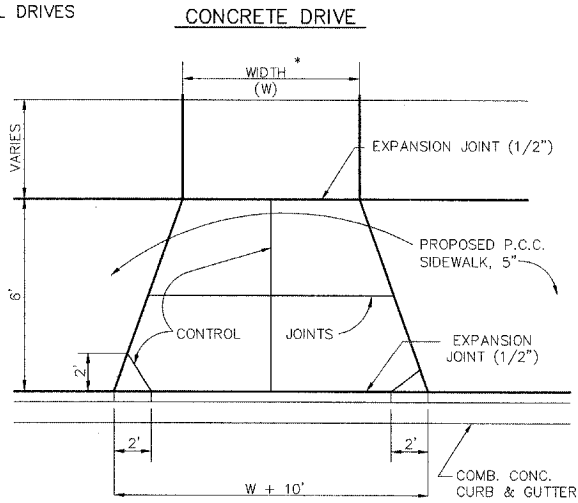


F.A.U. ROUTE	SECTION	COUNTY	TOTAL SHEET
120	00-00097-00-CH	MCHENRY	28
SPECIAL DETAILS			19
F.H.W.A. REG.5 ILLINOIS PROJECT NO. F-0305(023)			

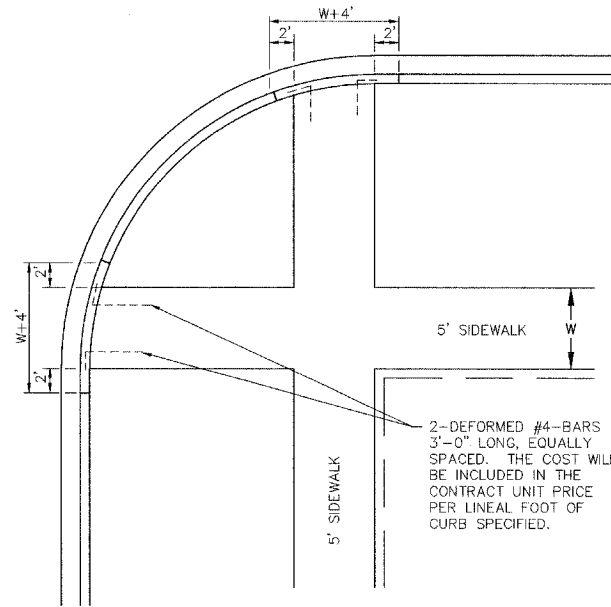
83725

**DRIVEWAY DETAIL**  
 (NOT TO SCALE)  
 RESIDENTIAL AND COMMERCIAL DRIVES

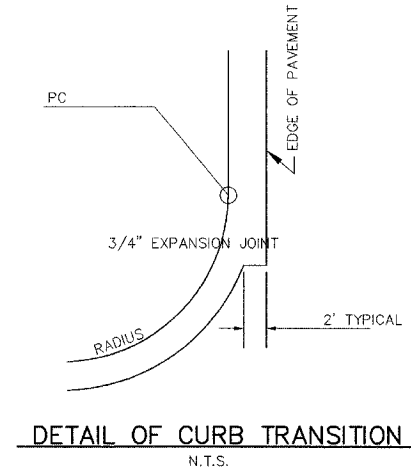
- NOTES:
1. DRIVEWAYS SHALL BE CONSTRUCTED AS PER THE PLAN LIMITS.
  2. W IS THE DRIVEWAY WIDTH SHOWN ON THE PLANS.
  3. DRIVEWAY IS SYMMETRICAL ABOUT ITS CENTERLINE. FOR DETAILS OF CURB AND GUTTER AND SLOPES OF DRIVEWAY AND SIDEWALK, SEE CROSS SECTIONS.
  4. DRIVEWAYS SHALL BE TRANSITIONED BACK OF PROPOSED SIDEWALK, AS NECESSARY, TO EFFECT A NEGOTIABLE GRADE.
  5. CURB SHALL BE TRANSITIONED FROM BARRIER CURB TO DEPRESSED CURB IN 2'.
  6. AGGREGATE BASE COURSE, TYPE B, 2" SHALL BE INCLUDED IN THE COST OF THE 8" P.C.C. DRIVEWAY PAVEMENT.



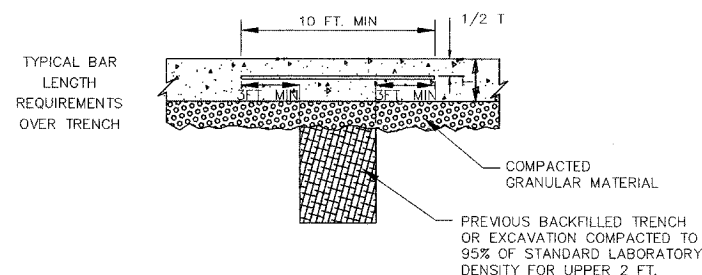
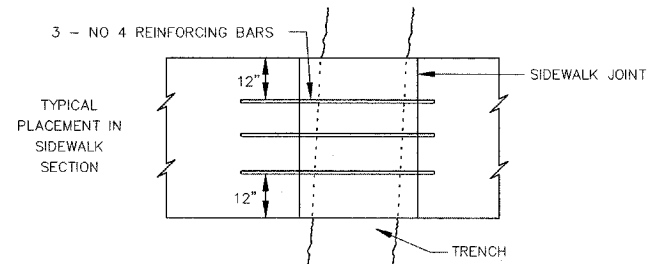
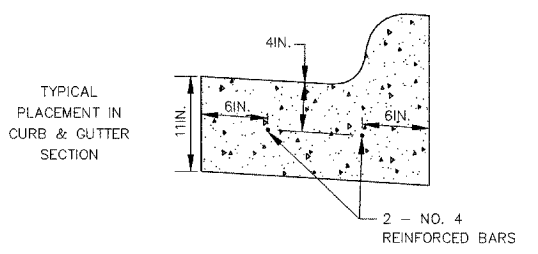
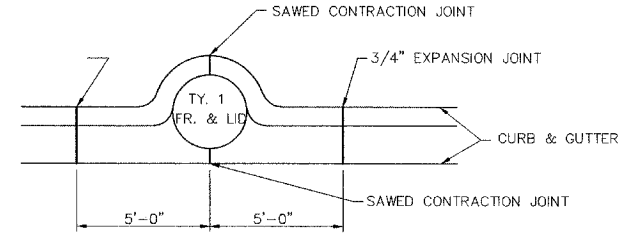
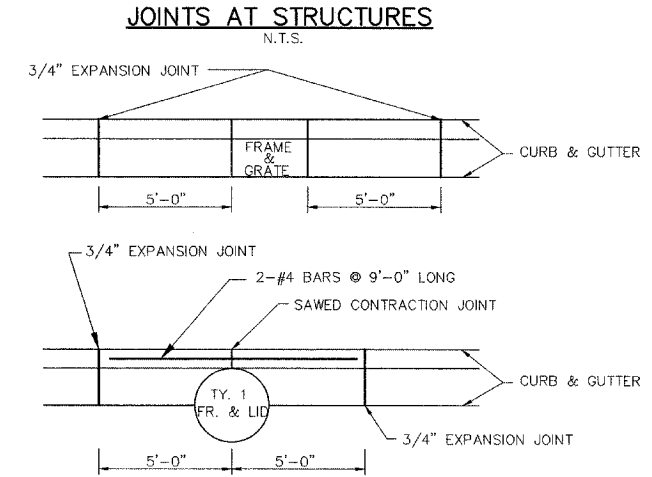
MINIMUM DRIVEWAY WIDTH (W) IS 10'-0".  
 IF CONCRETE DRIVE IS WIDER (W) THAN 10'-0", A CONTROL JOINT DOWN THE CENTER WILL BE REQUIRED.  
 IF CONCRETE DRIVE IS MORE THAN 6'-0" DEPTH (D), A CONTROL JOINT ACROSS THE CENTER WILL BE REQUIRED.  
 THE TAPER SHALL BEGIN 6'-0" BEHIND THE BACK OF CURB, AND A CONTROL JOINT WILL BE REQUIRED AT THAT POINT PARALLEL TO THE BACK OF CURB.



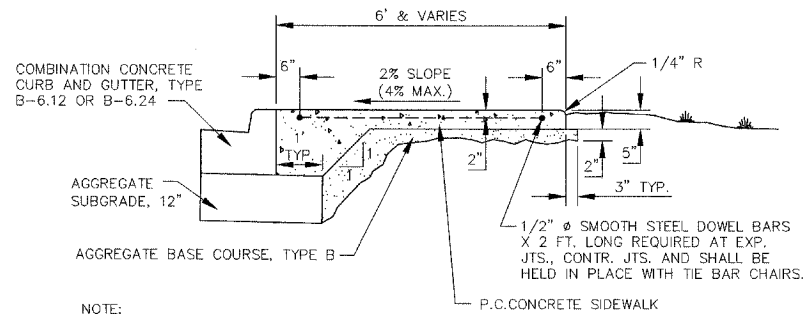
**TYPICAL DEPRESSED CURB AT SIDEWALK RAMP DETAIL**  
 N.T.S.



**DETAIL OF CURB TRANSITION**  
 N.T.S.

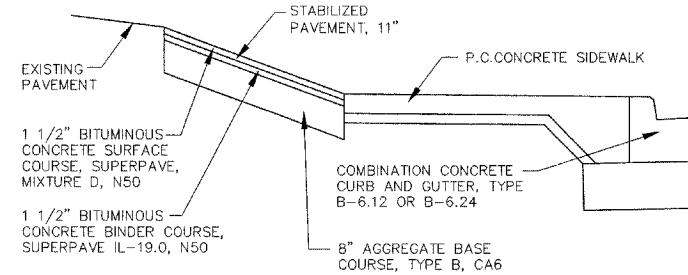


**REINFORCING CURB & GUTTER OR SIDEWALK INSTALLED OVER TRENCH**  
 N.T.S.

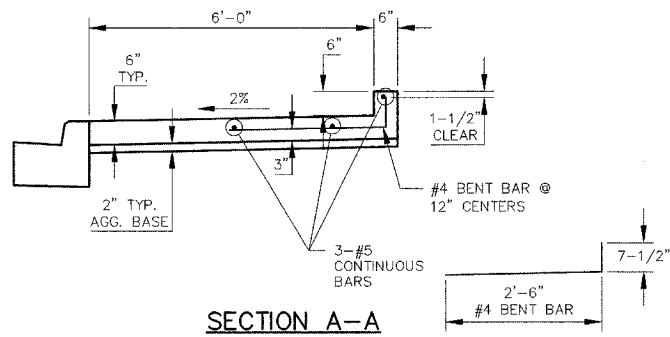


NOTE:  
 AT ALL LOCATIONS WHERE THE SIDEWALK ABUTTS CURB & GUTTER SECTIONS, THE SIDEWALK SHALL BE POURED FULL DEPTH TO THE AGGREGATE SUBGRADE.

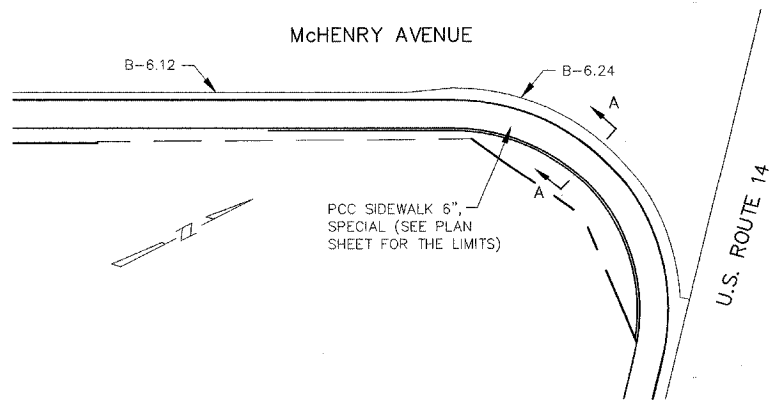
**SIDEWALK DETAIL**  
 N.T.S.



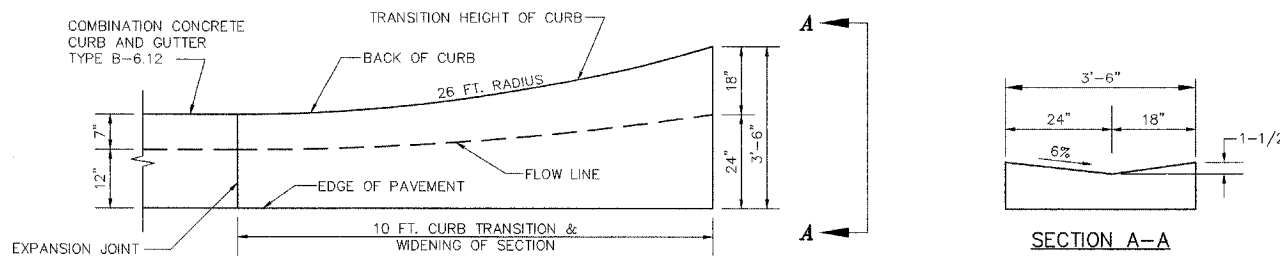
**STABILIZED PAVEMENT, 11" DETAIL**  
 N.T.S.



**SECTION A-A**

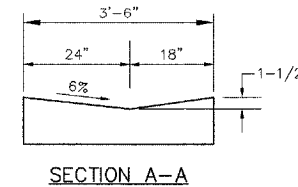


**PORTLAND CEMENT CONCRETE SIDEWALK 6 INCH. SPECIAL DETAIL**  
 1" = 20'



**CURB INLET/OUTLET DETAIL**  
 NOT TO SCALE

NOTE: CURB TRANSITION SHALL NOT BE PAID FOR SEPARATELY BUT WILL BE PAID FOR AT THE CONTRACT UNIT PRICE PER FOOT FOR COMBINATION CONCRETE CURB AND GUTTER, TYPE B-6.12.



**SECTION A-A**