

F.A. DIST.	SECTION	COUNTY	TOTAL SHEETS	SHEET NO.
2832	00-00218-00-FP	COOK	108	42
STA.		TO STA.		
FED. ROAD DIST. NO. 7		ILLINOIS		
		FED. AID PROJECT		

UPPER AND LOWER CASE LETTER WIDTHS CONTRACT NO. 83773

LETTERS	6 INCH UPPER CASE LETTERS		8 INCH UPPER CASE LETTERS		6 INCH LOWER CASE LETTERS	
	SERIES		SERIES		SERIES	
	C	D	C	D	C	D
A	3 ⁶	5 ⁰	5 ⁰	6 ⁵	a	3 ⁵
B	3 ²	4 ⁰	4 ³	5 ³	b	3 ⁵
C	3 ²	4 ⁰	4 ³	5 ³	c	3 ⁵
D	3 ²	4 ⁰	4 ³	5 ³	d	3 ⁵
E	3 ⁰	3 ⁵	4 ⁰	4 ⁷	e	3 ⁵
F	3 ⁰	3 ⁵	4 ⁰	4 ⁷	f	2 ³
G	3 ²	4 ⁰	4 ³	5 ³	g	3 ⁵
H	3 ²	4 ⁰	4 ³	5 ³	h	3 ⁵
I	0 ⁷	0 ⁷	1 ¹	1 ²	i	1 ¹
J	3 ⁰	3 ⁶	4 ⁰	5 ⁰	j	2 ⁰
K	3 ²	4 ¹	4 ³	5 ⁴	k	3 ⁵
L	3 ⁰	3 ⁵	4 ⁰	4 ⁷	l	1 ¹
M	3 ⁷	4 ⁵	5 ¹	6 ¹	m	6 ⁰
N	3 ²	4 ⁰	4 ³	5 ³	n	3 ⁵
O	3 ⁴	4 ²	4 ⁵	5 ⁵	o	3 ⁶
P	3 ²	4 ⁰	4 ³	5 ³	p	3 ⁵
Q	3 ⁴	4 ²	4 ⁵	5 ⁵	q	3 ⁵
R	3 ²	4 ⁰	4 ³	5 ³	r	2 ⁶
S	3 ²	4 ⁰	4 ³	5 ³	s	3 ⁶
T	3 ⁰	3 ⁵	4 ⁰	4 ⁷	t	2 ⁷
U	3 ²	4 ⁰	4 ³	5 ³	u	3 ⁵
V	3 ⁵	4 ⁴	4 ⁷	6 ⁰	v	4 ²
W	4 ⁴	5 ²	6 ⁰	7 ⁰	w	5 ⁵
X	3 ⁴	4 ⁰	4 ⁵	5 ³	x	4 ⁴
Y	3 ⁶	5 ⁰	5 ⁰	6 ⁶	y	4 ⁶
Z	3 ²	4 ⁰	4 ³	5 ³	z	3 ⁶

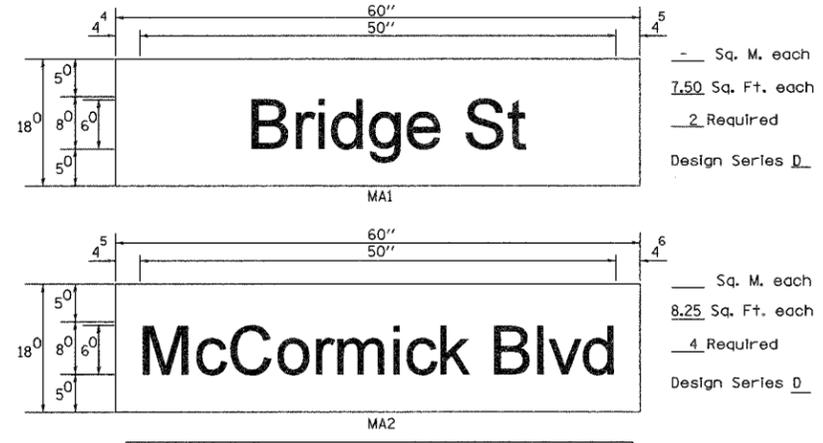
NUMBER	6 INCH SERIES		8 INCH SERIES	
	C	D	C	D
1	1 ²	1 ⁴	1 ⁵	2 ⁰
2	3 ²	4 ⁰	4 ³	5 ³
3	3 ²	4 ⁰	4 ³	5 ³
4	3 ⁵	4 ³	4 ⁷	5 ⁷
5	3 ²	4 ⁰	4 ³	5 ³
6	3 ²	4 ⁰	4 ³	5 ³
7	3 ²	4 ⁰	4 ³	5 ³
8	3 ²	4 ⁰	4 ³	5 ³
9	3 ²	4 ⁰	4 ³	5 ³
0	3 ⁴	4 ²	4 ⁵	5 ⁵

REVISIONS	
NAME	DATE
CREATED	2/79
D.A.Z./ D.A.G.	11/90
	6/98
CADD	10/00

ILLINOIS DEPARTMENT OF TRANSPORTATION
DISTRICT 1
MAST ARM MOUNTED
STREET NAME SIGNS

SCALE: NONE
DATE 9/03/04
DRAWN BY TJR
CHECKED BY RFK
TS 2
REVISION DATE: 10/01/00

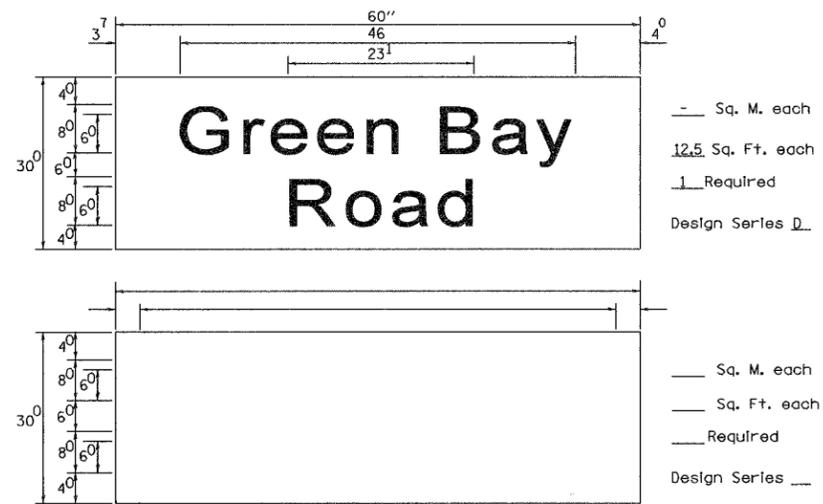
PANEL SIGN DESIGN TYPE 1



NOTE: SIGN DIMENSIONS ARE IN ENGLISH UNITS

PANEL SIGN DESIGN TYPE 2

MAST ARM STREET NAME SIGNS SHALL BE DIAMOND GRADE REFLECTIVE SHEETING. THIS WORK SHALL BE PAID FOR AS SIGN PANEL, TYPE 1.



GENERAL NOTES

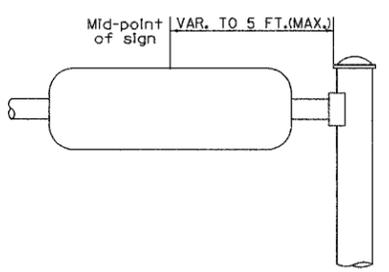
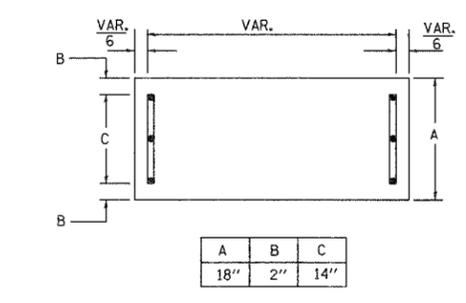
- WHERE MAST ARM MOUNTED STREET NAME SIGNS ARE SPECIFIED, THE MAST ARM ASSEMBLY AND POLES SHALL BE DESIGNED TO SUPPORT THE LOADINGS CALLED FOR ON STANDARDS 834001, 834006 AND 834011, AS APPLICABLE, PLUS TWO (2) SIGN PANELS 2'-6" x 6'-0" MOUNTED AS SHOWN. THE DESIGN SHALL BE IN ACCORDANCE WITH THE REQUIREMENTS OF THE CURRENT "STANDARD SPECIFICATIONS FOR STRUCTURAL SUPPORTS FOR HIGHWAY SIGNS, LUMINAIRES, AND TRAFFIC SIGNALS" AS PUBLISHED BY THE AMERICAN ASSOCIATION OF STATE HIGHWAY AND TRANSPORTATION OFFICIALS FOR 80 M.P.H. WIND VELOCITY.
- ALL SIGNS SHALL HAVE A WHITE REFLECTORIZED LEGEND AND BORDER ON A GREEN REFLECTORIZED BACKGROUND, TYPE A SHEETING.
- THE SIGN LENGTH SHOULD BE INCREASED IN 6-INCH INCREMENTS, BUT THE OVERALL LENGTH SHOULD NOT EXCEED 6'-0".
- ALL BORDERS SHALL BE 3/4" WIDE AND CORNER RADIUS SHALL BE 2-1/4".
- SIGNFIX ALUMINUM CHANNEL FRAMING SYSTEM SHALL BE USED FOR ALL SIGNS ATTACHED TO SIGNAL POLES AND POSTS. LOCAL SUPPLIERS OF THE SIGNFIX ALUMINUM CHANNEL FRAMING SYSTEM ARE:
 - * A.K.T. CORPORATION (SCHALMBURG, IL)
 - * AMERICAN FABRICATION CO. (CHICAGO HEIGHTS, IL)
 - * TUCKER COMPANY, INC. (WAUWATOSA, WI)
 - * WESTERN TRAFFIC CONTROL INC. (CICERO, IL)

PARTS LISTING

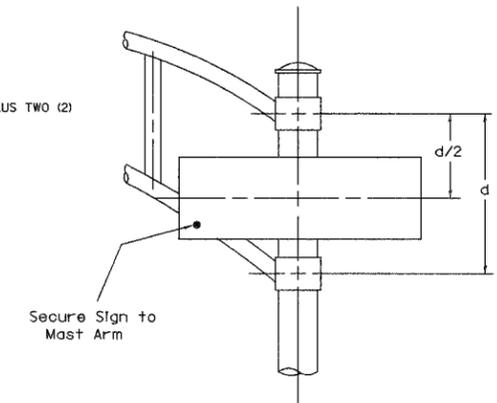
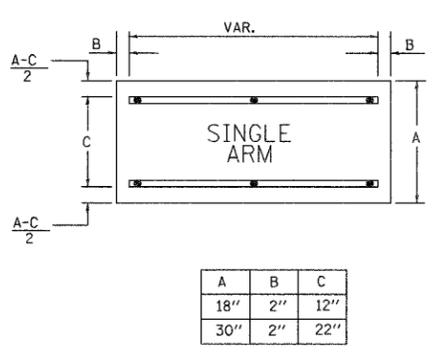
SIGN CHANNEL	PART #HPN053 (MED. CHANNEL)
SIGN SCREWS	1/4" x 14 x 1" H.W.H. #3
BRACKETS	SELF TAPPING WITH NEOPRENE WASHER
	PART #HPN034 (UNIVERSAL)
	CHANNEL CLAMPS WITH STAINLESS STEEL STRAPPING

OTHER BRANDS OF MOUNTING HARDWARE ARE ACCEPTABLE, BASED UPON THE DEPARTMENT'S APPROVAL AND COMPATIBILITY WITH THE CHANNEL/BACKET OF THE ABOVE PRODUCT.

SUPPORTING CHANNELS



SUPPORTING CHANNELS



DUAL ARM
SIGNFIX ALUMINUM CHANNEL FRAMING SYSTEM
Shall be used. See Note #5.

Upper Case to Lower Case
Spacing Chart 8-6 Inch Series "C & D"

FIRST LETTER	SECOND LETTER													
	a c d e		b h i k l		f w		j		s t		v y		x z	
	C	D	C	D	C	D	C	D	C	D	C	D	C	D
A W X	1 ²	1 ⁴	1 ⁴	1 ⁵	1 ²	1 ⁴	1 ⁴	1 ⁵	1 ¹	1 ²	1 ⁴	1 ⁵	1 ¹	1 ²
B	1 ⁴	1 ⁵	2 ⁰	2 ¹	1 ⁴	1 ⁵	1 ¹	1 ²	1 ⁴	1 ⁵	1 ²	1 ⁴	1 ²	1 ⁴
C E G	1 ⁴	1 ⁵	2 ⁰	2 ¹	1 ²	1 ⁴	1 ⁵	1 ¹	1 ²	1 ⁴	1 ²	1 ⁴	1 ⁴	1 ⁵
D O Q R	1 ⁴	1 ⁵	2 ⁰	2 ¹	1 ⁴	1 ⁵	1 ¹	1 ²	1 ⁴	1 ⁵	1 ²	1 ⁴	1 ⁴	1 ⁵
F	0 ⁵	0 ⁶	1 ⁴	1 ⁵	0 ⁶	1 ⁰	0 ⁵	0 ⁶	1 ⁰	0 ⁶	1 ⁰	0 ⁶	1 ¹	1 ²
H I M N	2 ⁰	2 ¹	2 ²	2 ⁴	2 ⁰	2 ¹	1 ⁴	1 ⁵	1 ⁶	1 ⁷	1 ⁶	1 ⁷	2 ⁰	2 ¹
J U	2 ⁰	2 ¹	2 ⁰	2 ¹	1 ⁶	1 ⁷	1 ⁴	1 ⁵	1 ⁶	1 ⁷	1 ⁶	1 ⁷	1 ⁶	1 ⁷
K L	1 ¹	1 ²	1 ⁶	1 ⁷	1 ¹	1 ²	0 ⁵	0 ⁶	1 ¹	1 ²	1 ¹	1 ²	1 ¹	1 ²
P	1 ²	1 ⁴	1 ⁴	1 ⁵	1 ²	1 ⁴	0 ⁵	0 ⁶	1 ¹	1 ²	1 ¹	1 ²	1 ¹	1 ²
S	1 ²	1 ⁴	1 ⁶	1 ⁷	1 ²	1 ⁴	0 ⁶	1 ⁰	1 ²	1 ⁴	1 ²	1 ⁴	1 ²	1 ⁴
T	1 ¹	1 ²	1 ⁶	1 ⁷	0 ⁶	1 ⁰	0 ⁶	1 ⁰	1 ¹	1 ²	1 ¹	1 ²	1 ¹	1 ²
V	0 ⁶	1 ⁰	1 ⁴	1 ⁵	1 ¹	1 ²	0 ⁶	1 ⁰	1 ²	1 ⁴	1 ²	1 ⁴	1 ²	1 ⁴
Y	0 ⁵	0 ⁶	1 ⁴	1 ⁵	0 ⁶	1 ⁰	0 ⁵	0 ⁶	0 ⁵	0 ⁷	0 ⁵	0 ⁶	1 ⁰	1 ¹
Z	1 ⁶	1 ⁷	2 ²	2 ⁴	1 ⁶	1 ⁷	1 ²	1 ⁴	1 ⁶	1 ⁷	1 ⁶	1 ⁷	2 ⁰	2 ¹

Lower Case to Lower Case
Spacing Chart 6 Inch Series "C & D"

FIRST LETTER	SECOND LETTER													
	a c d e		b h i k l		f w		j		s t		v y		x z	
	C	D	C	D	C	D	C	D	C	D	C	D	C	D
ad h g i j	1 ⁶	1 ⁷	2 ²	2 ⁴	1 ⁶	1 ⁷	1 ²	1 ⁴	1 ⁴	1 ⁵	1 ⁴	1 ⁵	1 ⁶	1 ⁷
l m n q u														
b f k o p s	1 ²	1 ⁴	1 ⁶	1 ⁷	1 ¹	1 ²	0 ⁵	0 ⁶	1 ¹	1 ²	1 ¹	1 ²	1 ¹	1 ²
c e	1 ²	1 ⁴	1 ⁶	1 ⁷	1 ²	1 ⁴	0 ⁶	1 ⁰	1 ²	1 ⁴	1 ²	1 ⁴	1 ²	1 ⁴
r	0 ⁶	1 ⁰	1 ²	1 ⁴	0 ⁶	1 ⁰	0 ³	0 ³	0 ⁵	0 ⁶	0 ⁵	0 ⁶	1 ⁰	1 ⁰
t z	1 ²	1 ⁴	1 ⁶	1 ⁷	1 ²	1 ⁴	0 ⁶	1 ⁰	1 ¹	1 ²	1 ¹	1 ²	1 ¹	1 ²
v y	1 ¹	1 ²	1 ⁴	1 ⁵	1 ¹	1 ²	0 ⁵	0 ⁶	0 ⁶	1 ⁰	0 ⁶	1 ⁰	1 ¹	1 ²
w	1 ¹	1 ²	1 ⁴	1 ⁵	1 ¹	1 ²	0 ⁵	0 ⁶	1 ¹	1 ²	1 ¹	1 ²	1 ¹	1 ²
x	1 ²	1 ⁴	1 ⁶	1 ⁷	1 ¹	1 ²	0 ⁵	0 ⁶	1 ¹	1 ²	1 ¹	1 ²	1 ¹	1 ²

Number to Number
Spacing Chart 8 Inch Series "C & D"

FIRST NUMBER	SECOND NUMBER																			
	0		1		2		3		4		5		6		7		8		9	
	C	D	C	D	C	D	C	D	C	D	C	D	C	D	C	D	C	D	C	D
0 9	1 ⁶	1 ⁷	1 ⁶	1 ⁷	1 ⁴	1 ⁵	1 ²	1 ⁴	1 ⁴	1 ⁵	1 ⁴	1 ⁵	1 ⁶	1 ⁷	1 ²	1 ⁴	1 ⁶	1 ⁷	1 ⁶	1 ⁷
1	2 ⁰	2 ¹	2 ⁰	2 ¹	2 ⁰	2 ¹	1 ⁶	1 ⁷	1 ⁴	1 ⁵	2 ⁰	2 ¹	2 ⁰	2 ¹	1 ⁴	1 ⁵	2 ⁰	2 ¹	2 ⁰	2 ¹
2 3 4	1 ⁴	1 ⁵	1 ⁴	1 ⁵	1 ⁴	1 ⁵	1 ²	1 ⁴	1 ²	1 ⁴	1 ⁴	1 ⁵	1 ⁴	1 ⁵	1 ¹	1 ²	1 ⁶	1 ⁷	1 ⁴	1 ⁵
5	1 ⁴	1 ⁵	1 ⁴	1 ⁵	1 ⁴	1 ⁵	1 ¹	1 ²	1 ¹	1 ²	1 ⁴	1 ⁵	1 ⁴	1 ⁵	1 ¹	1 ²	1 ⁴	1 ⁵	1 ⁴	1 ⁵
6	1 ⁶	1 ⁷	1 ⁴	1 ⁵	1 ⁴	1 ⁵	1 ²	1 ⁵	1 ²	1 ⁴	1 ⁴	1 ⁵	1 ⁴	1 ⁵	1 ¹	1 ²	1 ⁴	1 ⁵	1 ⁴	1 ⁵
7	1 ²	1 ⁴	1 ²	1 ⁴	1 ⁴	1 ⁵	1 ²	1 ⁵	0 ⁵	0 ⁶	1 ²	1 ⁴	1 ⁴	1 ⁵	1 ¹	1 ²	1 ⁴	1 ⁵	1 ²	1 ⁴
8	1 ⁶	1 ⁷	1 ⁶	1 ⁷	1 ⁴	1 ⁵	1 ²	1 ⁵	1 ²	1 ⁴	1 ⁴	1 ⁵	1 ⁶	1 ⁷	1 ²	1 ⁴	1 ⁶	1 ⁷	1 ⁴	1 ⁵

TRANS SYSTEMS CORPORATION
1001 PERIMETER DRIVE
SUITE 202A
SCHALMBURG, IL 60173

DATE-TIME
DGN-SPEC
VHSIG
USER