

NOTES:

1. THE EXISTING TEMPORARY TRAFFIC SIGNAL INSTALLATION SHALL BE MAINTAINED DURING CONSTRUCTION. THIS WORK SHALL BE PAID FOR AS "MAINTENANCE OF EXISTING TRAFFIC SIGNAL INSTALLATION."
2. THE CONTRACTOR SHALL VERIFY QUANTITY OF EXISTING SIGNAL CABLE SLACK ON SPAN WIRE TO DETERMINE IF ENOUGH CABLE SLACK IS PROVIDED TO RELOCATE THE EXISTING SIGNAL HEADS TO ANY POSITION ON THE SPAN LINE AS REQUIRED FOR CONSTRUCTION STAGING. ANY ADDITIONAL CABLE SHALL BE INCIDENTAL TO THE COST OF "MAINTENANCE OF EXISTING TRAFFIC SIGNAL INSTALLATION."
3. THE CONTRACTOR SHALL FURNISH THE 5-SECTION SIGNAL HEADS AND CABLE FOR MCCORMICK BOULEVARD. THE SIGNAL HEADS AND CABLE SHALL BE INCLUDED IN THE COST OF "MAINTENANCE OF EXISTING TRAFFIC SIGNAL INSTALLATION."
4. THE TEMPORARY SERVICE INSTALLATION SHALL BE REMOVED ONCE THE PERMANENT TRAFFIC SIGNAL INSTALLATION IS OPERATIONAL. REMOVAL OF THE EXISTING TEMPORARY TRAFFIC SIGNAL EQUIPMENT SHALL BE PAID FOR AS "REMOVE EXISTING TRAFFIC SIGNAL EQUIPMENT."

TEMPORARY TRAFFIC SIGNAL LEGEND

- ◀ TEMPORARY TRAFFIC SIGNAL HEAD, SPAN WIRE MOUNTED
- ◀ EXISTING SIGNAL HEAD
- ◀ "E" ◀ EXISTING SERVICE INSTALLATION (SEE NOTE 3)
- ⊗ EXISTING WOOD POLE
- ⊗ EXISTING CONTROLLER AND FOUNDATION
- ◀ "E" ◀ EXISTING HANDHOLE TO BE REMOVED
- ⊗ EXISTING PEDESTRIAN PUSHBUTTON DETECTOR
- ◀ EXISTING PEDESTRIAN SIGNAL HEAD
- EXISTING SPAN WIRE, TETHER WIRE, AND CABLE

NOTES FOR EXISTING TRAFFIC SIGNAL EQUIPMENT REMOVAL

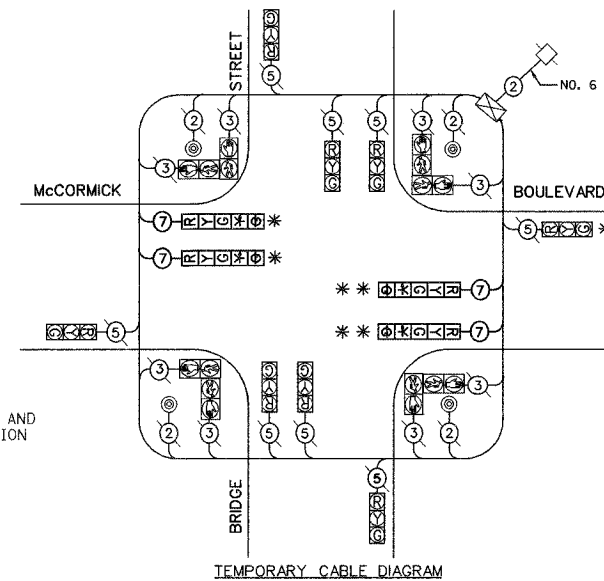
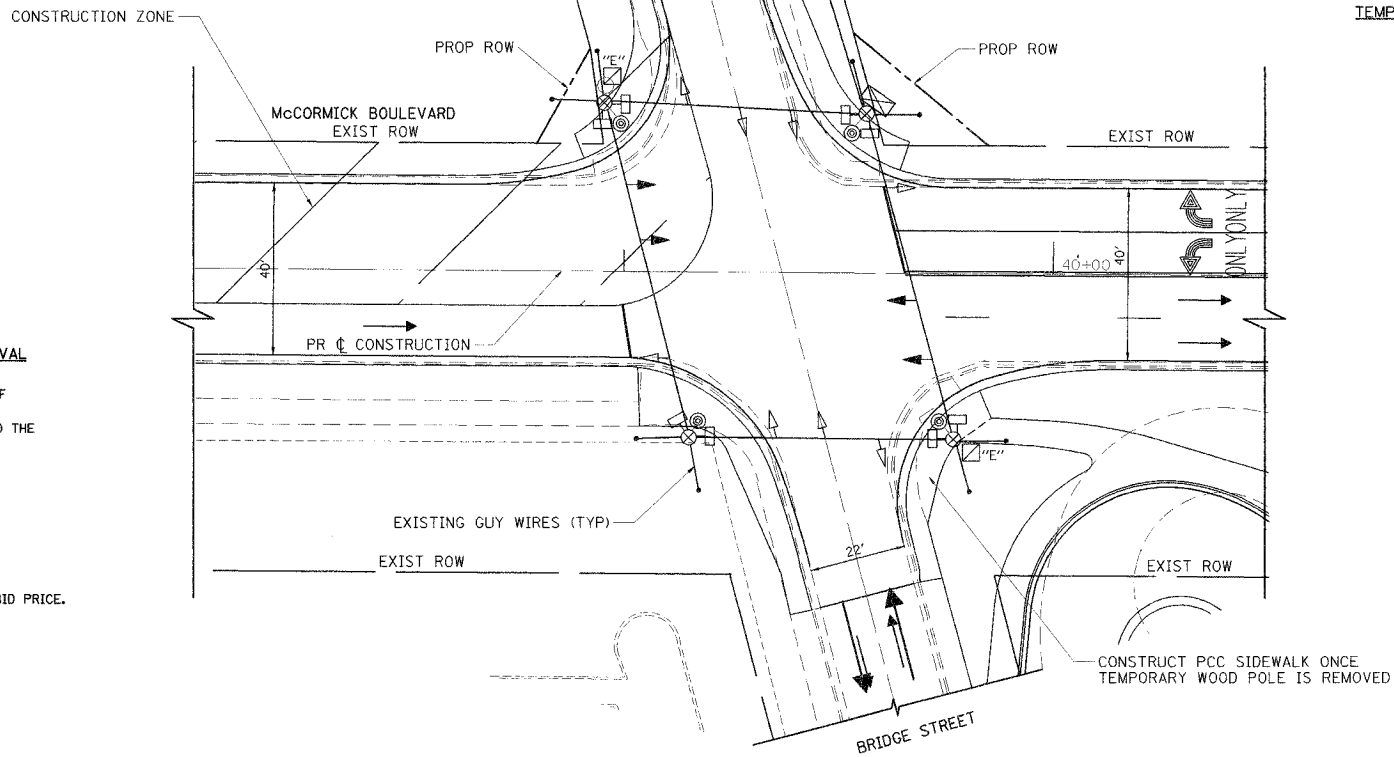
THE FOLLOWING EXISTING TRAFFIC SIGNAL EQUIPMENT SHALL BE REMOVED BY THE CONTRACTOR AND SHALL REMAIN THE PROPERTY OF THE AGENCY LISTED BELOW. THE CONTRACTOR SHALL SAFELY STORE AND ARRANGE FOR PICK UP OF ALL EQUIPMENT TO BE RETURNED TO THE LISTED AGENCY AS PER THE TRAFFIC SIGNAL SPECIFICATIONS.

AGENCY: CITY OF EVANSTON

- 1 CONTROLLER AND CABINET (COMPLETE)
- 2 INDUCTIVE LOOP DETECTOR AMPLIFIERS

THE FOLLOWING ITEMS SHALL BE REMOVED BY THE CONTRACTOR AND DISPOSED OF BY HIM AT HIS EXPENSE, THE SALVAGE VALUE OF THE REMOVED EQUIPMENT SHALL REFLECTED IN THE CONTRACT BID PRICE.

- 12 EACH SIGNAL HEAD
- 8 EACH PEDESTRIAN SIGNAL HEAD
- 4 EACH PEDESTRIAN PUSH BUTTON
- 4 EACH WOOD POLE
- 465 FOOT SPAN WIRE



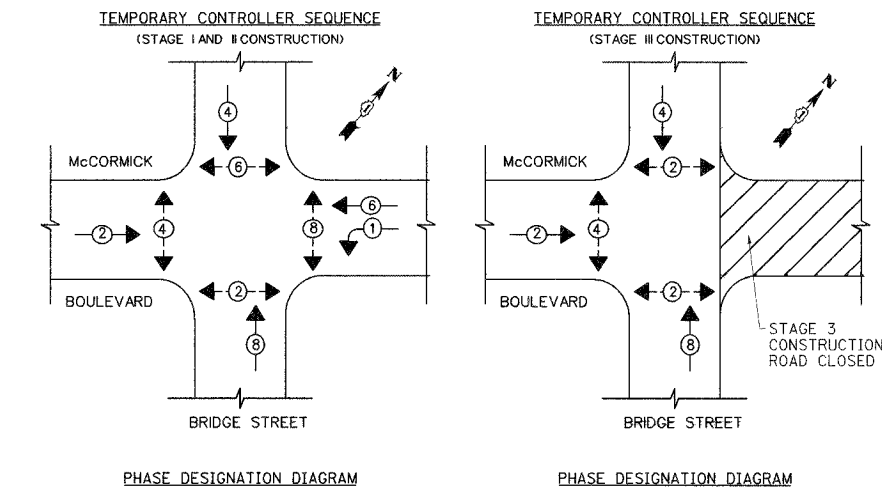
TEMPORARY CABLE DIAGRAM LEGEND

- ◀ R ▶ TEMPORARY TRAFFIC SIGNAL SECTION OR PEDESTRIAN SIGNAL SECTION, 12"
- ◀ R ▶ EXISTING TRAFFIC SIGNAL SECTION OR PEDESTRIAN SIGNAL SECTION, 12"
- ◀ X ▶ EXISTING CONTROLLER CABINET
- ◀ □ ▶ EXISTING SERVICE INSTALLATION
- ⊗ INDICATES NUMBER OF CONDUCTORS IN CABLE. ALL CABLES NUMBER 14 AWG WIRE UNLESS OTHERWISE NOTED.
- ⊗ EXISTING PEDESTRIAN PUSH BUTTON
- ◀ R ▶ EXISTING PEDESTRIAN SIGNAL SECTION

NOTES:

- PUSHBUTTON "A" SHALL PLACE A CALL IN PHASES 2 AND 4
- PUSHBUTTON "B" SHALL PLACE A CALL IN PHASES 2 AND 8
- PUSHBUTTON "C" SHALL PLACE A CALL IN PHASES 6 AND 8
- PUSHBUTTON "D" SHALL PLACE A CALL IN PHASES 4 AND 6

- * SIGNAL DISPLAYS FOR SB MCCORMICK BOULEVARD SHALL BE DISCONNECTED AND BAGGED DURING STAGE III CONSTRUCTION.
- ** LEFT TURN SIGNAL DISPLAYS FOR NB MCCORMICK BOULEVARD SHALL BE DISCONNECTED AND BAGGED WHEN NOT USED IN TEMPORARY SIGNAL PHASING.



LEGEND

- ◀ (X) ▶ DUAL ENTRY PHASE
- ◀ (X) ▶ PEDESTRIAN PHASE
- * NUMBER REFERS TO ASSOCIATED PHASE

I.D.O.T. TRAFFIC SIGNAL INSTALLATION ELECTRICAL SERVICE REQUIREMENTS					TOTAL WATTAGE
TYPE	NO. LAMPS	WATTAGE		OPERATION	
		INCAND.	LED		
SIGNAL (RED)	12	135	17	0.50	810
(YELLOW)	12	135	25	0.25	405
(GREEN)	12	135	15	0.25	405
ARROW	0	135	12	0.10	0
PED SIGNAL	8	90	25	1.00	720
CONTROLLER	1	100	100	1.00	100
ILLUM. SIGN	0	252		0.05	0
FLASHER					
ENERGY COSTS TO: CITY OF EVANSTON					TOTAL= 2,440
ENERGY SUPPLY CONTACT: JODY SCHOMER					
PHONE: (847) 816-5472					
COMPANY: COM ED					

FOUNDATION (DEPTH)	FT. (m)	CABLE SLACK	FT. (m)	VERTICAL	FT. (m)
TYPE A - POST	4	HANDHOLE	6.5	ALL FOUNDATIONS	3.5
D - CONTROLLER	4	DOUBLE HANDHOLE	13	MAST ARM (L) POLE	20' HL-2=
E - M. ARM POLE	10	SIGNAL POST	2	BRACKET MOUNTED	13
24" (600mm)	10	CONTROLLER CAB.	1	PED. PUSHBUTTON	4
30" (750mm)	15	FIBER OPTIC	13	ELECTRIC SERVICE	13.5
		ELECTRIC SERVICE	1	SERVICE TO GROUND	13.5
		GROUND CABLE	1	POST MOUNTED	6

REVISIONS	
NAME	DATE

ILLINOIS DEPARTMENT OF TRANSPORTATION

**TEMPORARY TRAFFIC SIGNAL
INSTALLATION PLAN**

MCCORMICK BOULEVARD
AT BRIDGE STREET

DATE 9/03/04
DRAWN BY GEW
CHECKED BY PAS