

F.A.U.	SECTION	COUNTY	TOTAL SHEETS	SHEET NO.
2832	00-00218-00-FP	COOK	108	49
STA	TO STA			
FED. ROAD DIST. NO. 7 ILLINOIS FED. AID PROJECT				

CONTRACT NO. 83773

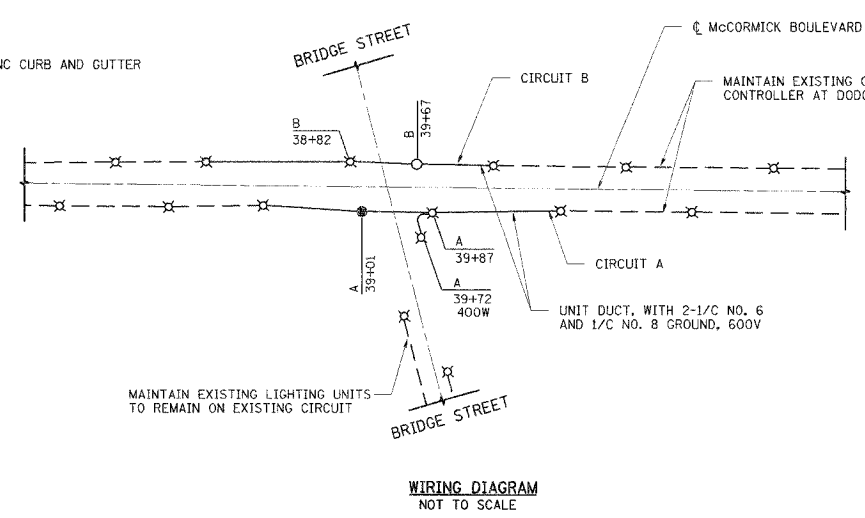
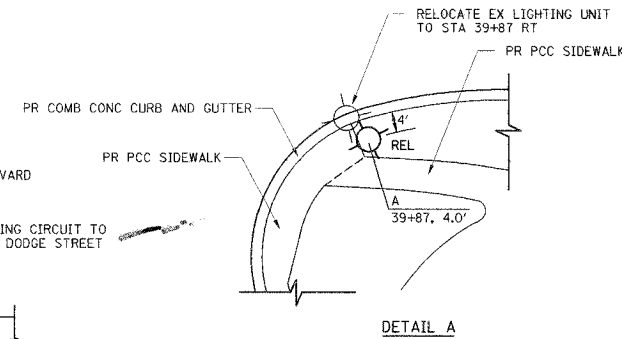
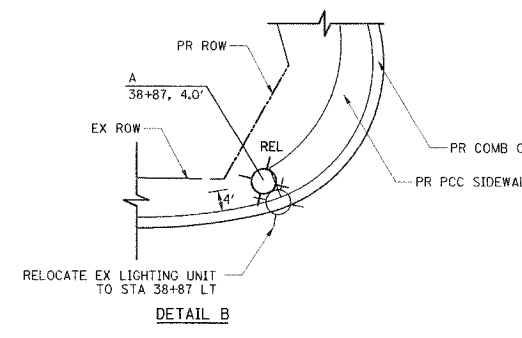
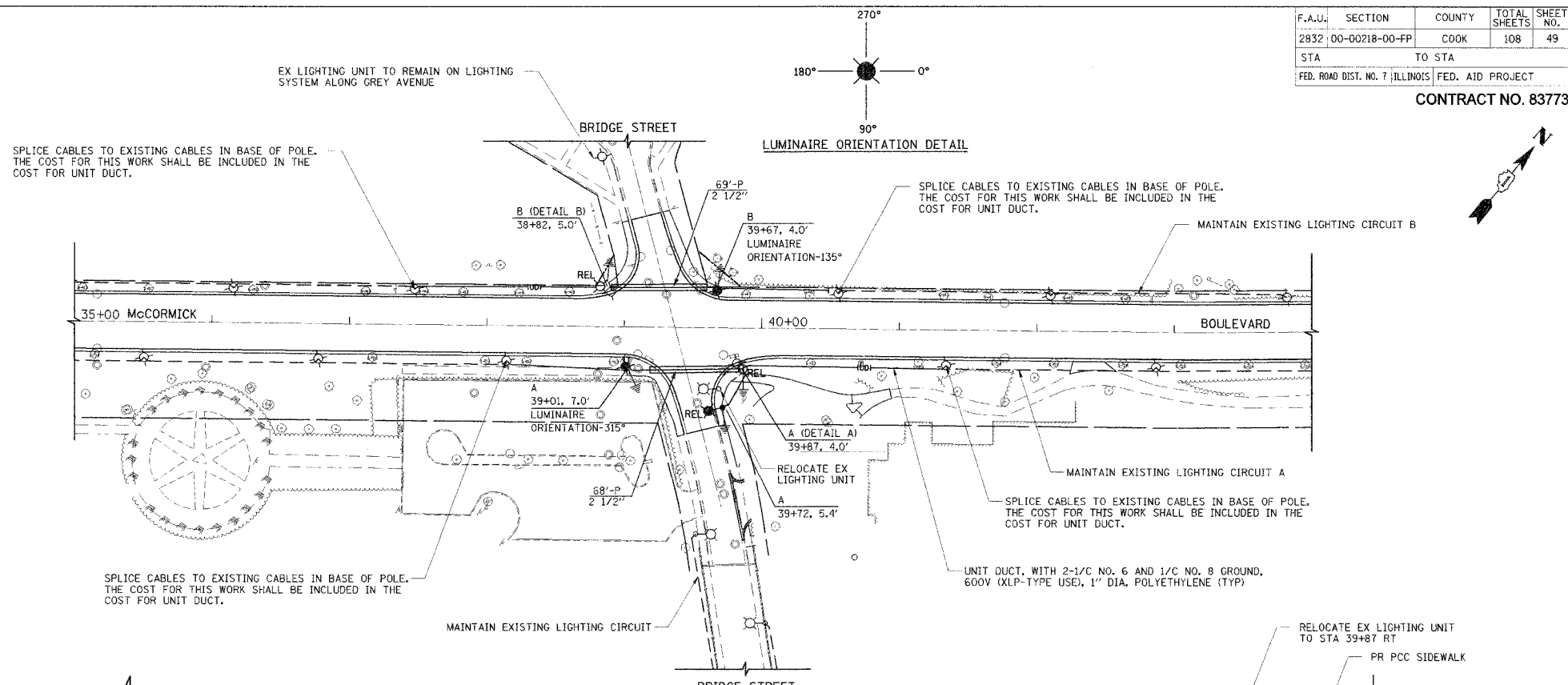
- LEGEND**
- EXISTING ROADWAY LIGHTING UNIT
400 W, 240/480V MERCURY VAPOR, 30' MOUNT. HEIGHT, 6' MAST ARM
 - REL ○ RELOCATED EXISTING LIGHTING UNIT WITH NEW CONCRETE FOUNDATION
400 W, 240/480V MERCURY VAPOR, 30' MOUNT. HEIGHT, 6' MAST ARM
 - EXISTING LIGHTING UNIT
175 W, 240/480V MERCURY VAPOR, 16' MOUNT. HEIGHT, POST-TOP MOUNT LUMINAIRE
 - PROPOSED LIGHTING UNIT (INSTALL ONLY)
175 W, 240/480V MERCURY VAPOR, 16' MOUNT. HEIGHT, POST-TOP MOUNT LUMINAIRE
 - REL ○ RELOCATED EXISTING LIGHTING UNIT WITH NEW CONCRETE FOUNDATION
175 W, MERCURY VAPOR, 16' MOUNT. HEIGHT,
4' SETBACK BEHIND BACK OF CURB
 - ⊥ GROUND ROD, 5/8 INCH x 10 FEET
 - UNIT DUCT, WITH 2-1/2 NO. 6 AND 1/2 NO. 8 GROUND, 600V (XLP-TYPE USE),
1" DIA, POLYETHYLENE
 - EXISTING CIRCUIT TO BE MAINTAINED
 - "P" PUSHED
 - "T" TRENCHED
 - "CT" COMMON TRENCH
 - ▭ CONDUIT PUSHED (P), 2.5" DIA.
GALVANIZED STEEL (UNLESS OTHERWISE NOTED)
 - X LIGHT POLE CIRCUIT
XX+XX, XX.X'

GENERAL NOTES

- IT SHALL BE THE CONTRACTOR'S RESPONSIBILITY TO MARK THE PROPOSED LOCATIONS OF ALL LIGHT POLES FOR EXAMINATION AND CONFIRMATION WITH THE RESIDENT ENGINEER. THE CONTRACTOR SHALL VERIFY ALL UTILITY LOCATIONS PRIOR TO AUGURING FOR LIGHT POLE FOUNDATIONS. THE EXACT LOCATIONS OF ALL ITEMS SHALL BE CONFIRMED WITH THE RESIDENT ENGINEER PRIOR TO STARTING WORK.
- PROPOSED ROADWAY LIGHT POLES SHALL HAVE A SET-BACK OF 4.0 FEET (MIN) FROM THE BACK OF CURB TO THE CENTER OF POLE, UNLESS OTHERWISE INDICATED ON THE PLANS OR AS DIRECTED BY THE ENGINEER.
- A GROUND ROD SHALL BE PROVIDED FOR EACH CONCRETE FOUNDATION. GROUNDING CONNECTIONS MADE TO THE FOUNDATION SHALL BE EXOTHERMICALLY WELDED, AS SPECIFIED IN THE PLAN DETAILS, AND SHALL BE INSPECTED AND APPROVED BY THE RESIDENT ENGINEER PRIOR TO POURING CONCRETE OR BACKFILLING, AS APPLICABLE.
- PARALLEL UNIT DUCT RUNS SHOWN ON THE PLANS SHALL BE PLACED IN A COMMON TRENCH.
- THE CONTRACTOR SHALL MAKE SPECIAL NOTE OF THE SPECIFIED REQUIREMENTS FOR BURIED WARNING TAPE, SPECIFIED AS PART OF "TRENCH AND BACKFILL FOR ELECTRICAL WORK". THE INSTALLATION OF THE TAPE SHALL BE INSPECTED BY THE ENGINEER PRIOR TO BACKFILLING OR DURING PLOWING OPERATIONS, AS APPLICABLE.
- THE CONTRACTOR SHALL BE RESPONSIBLE FOR THE ESTABLISHMENT OF THE FINISHED GRADE. THE RESIDENT ENGINEER MAY ASSIST THE CONTRACTOR, AS APPLICABLE, BUT THE RESPONSIBILITY FOR COORDINATING THE FINISHED GRADE ELEVATIONS WITH THE TOP OF THE FOUNDATION HEIGHTS.
- NO POLES SHALL BE ERECTED UNTIL THE RESPECTIVE FOUNDATIONS HAVE CURED, AS APPROVED BY THE ENGINEER.
- A QUANTITY FOR OFFSET LIGHT POLE FOUNDATIONS HAS BEEN PROVIDED FOR LOCATIONS WHERE UTILITY OR SEWER CONFLICTS MAY PROHIBIT THE USE OF A STANDARD LIGHT POLE FOUNDATION. THE ACTUAL NEED FOR THE OFFSET FOUNDATION WILL BE DETERMINED IN THE FIELD AT THE TIME OF CONSTRUCTION BY THE ENGINEER. A QUANTITY FOR EXPLORATION TRENCH HAS BEEN PROVIDED IF DIRECTED BY THE ENGINEER TO VERIFY UNDERGROUND UTILITIES OR SEWER LOCATIONS. IF OFFSET FOUNDATIONS ARE NOT REQUIRED THEN THE QUANTITY SHALL BE DEDUCTED AND NO ADDITIONAL COMPENSATION WILL BE DUE TO THE CONTRACTOR.
- DIRECTIONAL BORING SHALL BE THE METHOD USED FOR UNIT DUCT INSTALLATION. THE COST FOR THIS WORK SHALL BE INCIDENTAL TO UNIT DUCT, WITH 2-1/2 NO. 6 AND 1/2 NO. 8 GROUND, 600V (XLP-TYPE USE), 1" DIA., POLYETHYLENE. A QUANTITY FOR TRENCH AND BACKFILL FOR ELECTRICAL WORK HAS BEEN INCLUDED FOR UNIT DUCT INSTALLATION WITHIN 5 FEET ON EITHER SIDE OF THE POLE.
- LUMINAIRE LIGHT DISTRIBUTION SHALL BE ORIENTED AS INDICATED ON THE PLANS. SEE LUMINAIRE ORIENTATION DETAIL.

TEMPORARY LIGHTING NOTES

- THE CONTRACTOR SHALL BE RESPONSIBLE FOR THE MAINTENANCE OF ALL ROADWAY LIGHTING AT ALL TIMES WITHIN THE PROJECT LIMITS FOR THE DURATION OF THE PROJECT. ANY DAMAGE INCURRED DURING CONSTRUCTION SHALL BE PROMPTLY REPAIRED SO SERVICE IS NOT DISRUPTED. THE CONTRACTOR IS RESPONSIBLE FOR VERIFYING THE EXISTING CONDITIONS.
- AERIAL CABLE, 3-1/2 NO. 6, WITH MESSENGER WIRE SHALL BE USED TO MAINTAIN ELECTRICAL CONNECTIONS. A QUANTITY OF AERIAL CABLE HAS BEEN PROVIDED TO MAINTAIN THE TEMPORARY CONNECTIONS. THE COST TO PROVIDE TEMPORARY CONNECTIONS SHALL BE INCIDENTAL TO THE AERIAL CABLE.
- AERIAL CABLE SHALL BE DISCONNECTED AND REMOVED ONCE THE PERMANENT LIGHTING SYSTEM IS OPERATIONAL. THE COST FOR REMOVAL OF TEMPORARY CABLE SHALL BE INCIDENTAL TO AERIAL CABLE, 3-1/2 NO. 6 WITH MESSENGER WIRE.



- LEGEND**
- LUMINAIRE, MERCURY VAPOR, 175W, 240V ON CIRCUIT B, UNLESS OTHERWISE NOTED
 - LUMINAIRE, MERCURY VAPOR, 175W, 240V ON CIRCUIT A, UNLESS OTHERWISE NOTED
 - EXISTING LIGHTING UNIT, MERCURY VAPOR, 175W, 240/480V UNLESS OTHERWISE NOTED
 - PROPOSED UNIT DUCT, 2-1/2 NO. 6, 1/2 NO. 8 GROUND
 - EXISTING UNIT DUCT, 2-1/2 NO. 6, 1/2 NO. 8 GROUND
 - X LIGHT POLE CIRCUIT
XX+XX STATION

LOAD TABULATIONS FOR LIGHTING CONTROLLER

CIRCUIT	EXISTING		PROPOSED	
	AMPS	WATTS	AMPS	WATTS
A	12.23	2675	13.03	2850
B	11.2	2450	12.0	2625
TOTAL	23.43	5125	25.03	5475

SCHEDULE OF QUANTITIES

QUANTITY	UNIT	ITEM
17	EACH	GROUND ROD, 5/8" DIA. X 10 FT.
505	FOOT	CONDUIT PUSHED, 2 1/2" DIA., GALVANIZED STEEL
170	FOOT	TRENCH AND BACKFILL FOR ELECTRICAL WORK
2,330	FOOT	UNIT DUCT, WITH 2-1/2 NO. 6 AND 1/2 NO. 8 GROUND, 600V (XLP-TYPE USE), 1" DIA., POLYETHYLENE
2,330	FOOT	AERIAL CABLE, 3-1/2 NO. 6 WITH MESSENGER WIRE
109	FOOT	LIGHT POLE FOUNDATION, 24" DIAMETER
27	FOOT	LIGHT POLE FOUNDATION, 24" DIAMETER, OFFSET
18	EACH	LIGHTING FOUNDATION REMOVAL
14	EACH	RELOCATE EXISTING LIGHTING UNIT
3	EACH	LIGHT POLE AND LUMINAIRE, INSTALL ONLY

REVISIONS	
NAME	DATE

ILLINOIS DEPARTMENT OF TRANSPORTATION

ROADWAY LIGHTING PLAN

McCORMICK BOULEVARD
McCORMICK BOULEVARD AT BRIDGE STREET

DATE 9/03/04
DRAWN BY SRS
CHECKED BY SRF