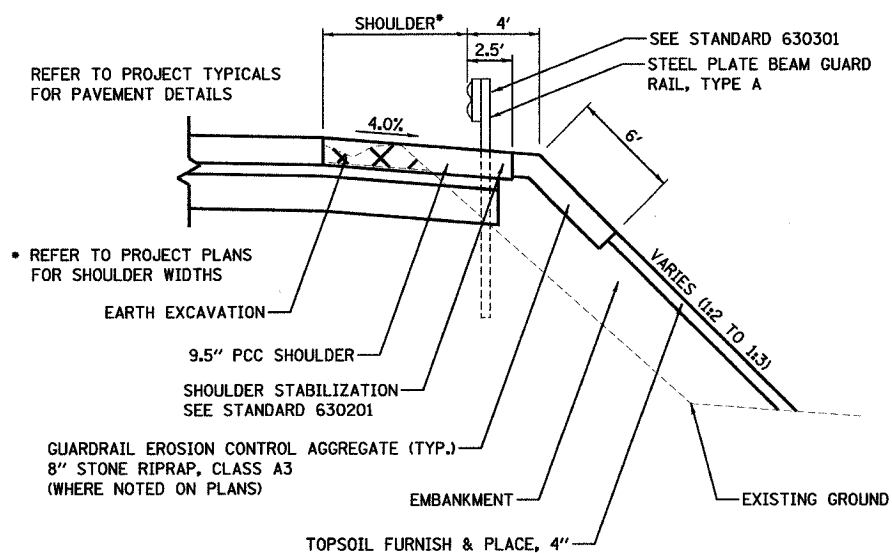
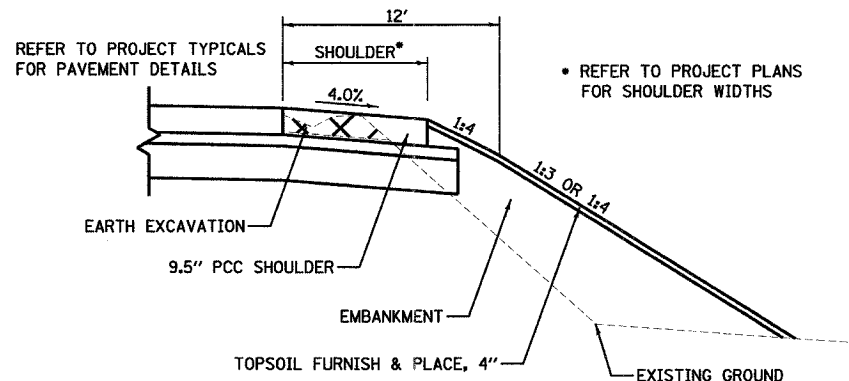


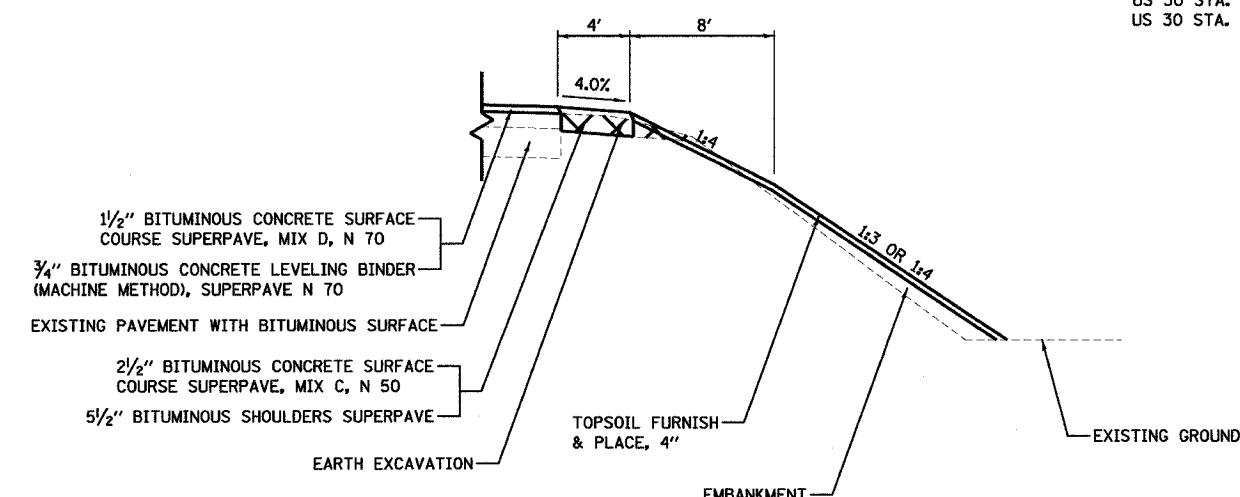
F.A.P. RTE.	SECTION	COUNTY	TOTAL SHEETS	SHEET NO.
309	7HBR&TVBR	WHITESIDE	146	8
STA.		TO STA.		
FED. ROAD DIST. NO.		ILLINOIS FED. AID PROJECT		
CONTRACT #84883				



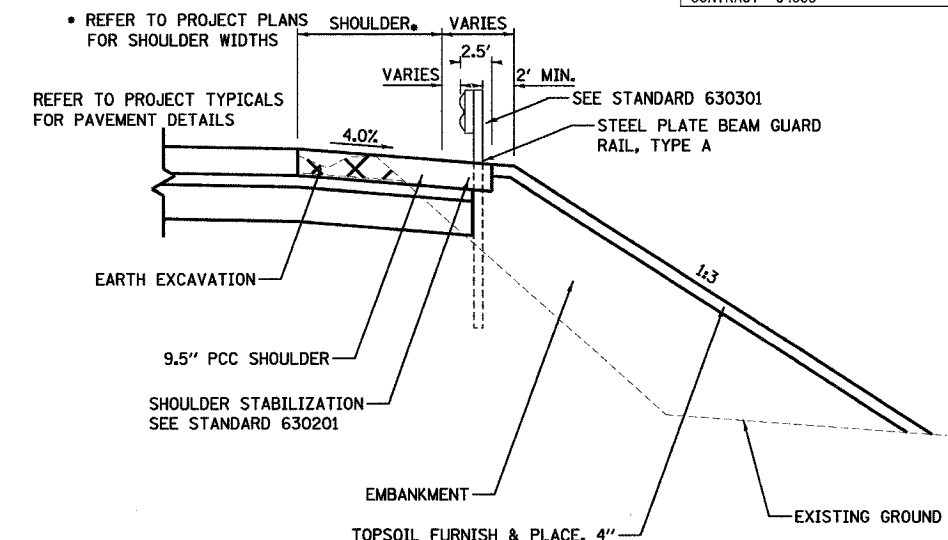
**SHOULDER AND GRADING DETAIL**  
 US 30 STA. 52+49.71 LT. TO US 30 STA. 54+23.38 LT.  
 US 30 STA. 52+49.71 RT. TO US 30 STA. 53+61.85 RT.



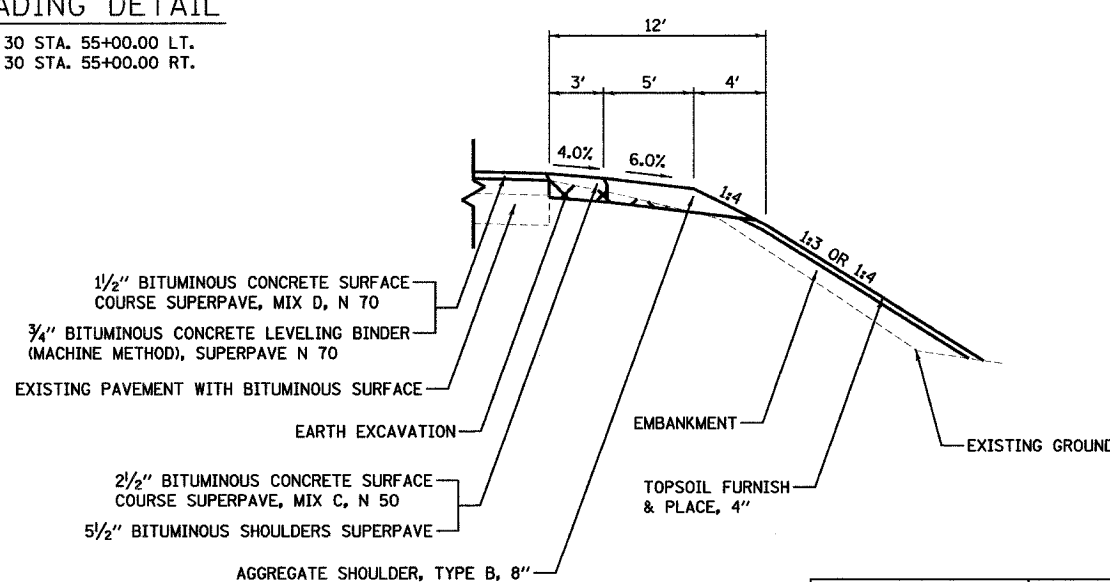
**SHOULDER AND GRADING DETAIL**  
 US 30 STA. 54+85.57 LT. TO US 30 STA. 55+00.00 LT.  
 US 30 STA. 53+86.78 RT. TO US 30 STA. 55+00.00 RT.



**SHOULDER AND GRADING DETAIL**  
 US 30 STA. 58+35.54 LT. TO US 30 STA. 61+01.28 LT.  
 US 30 STA. 58+67.63 RT. TO US 30 STA. 59+07.43 RT.



**SHOULDER AND GRADING DETAIL**  
 US 30 STA. 54+23.38 LT. TO US 30 STA. 54+85.57 LT.  
 US 30 STA. 53+61.85 RT. TO US 30 STA. 53+86.78 RT.



**SHOULDER AND GRADING DETAIL**  
 US 30 STA. 61+01.28 LT. TO US 30 STA. 70+50.00 LT.  
 US 30 STA. 59+07.43 RT. TO US 30 STA. 70+50.00 RT.

NOTE: WEIGHT OF BITUMINOUS MATERIAL = 112 LBS/SQYD/IN

REVISIONS	
NAME	DATE

ILLINOIS DEPARTMENT OF TRANSPORTATION

**TYPICAL SECTIONS**

SCALE: VERT. \_\_\_\_\_  
 HORIZ. \_\_\_\_\_  
 DATE 08/25/2005

DRAWN BY SWEET  
 CHECKED BY ZELINSKAS