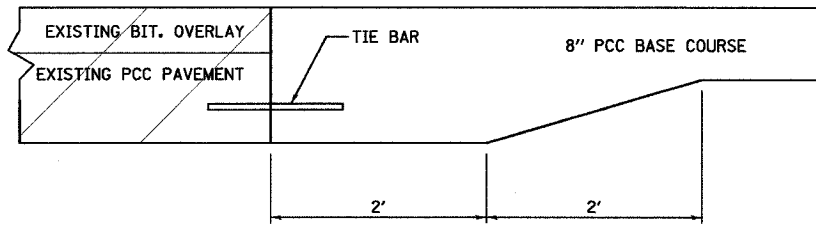
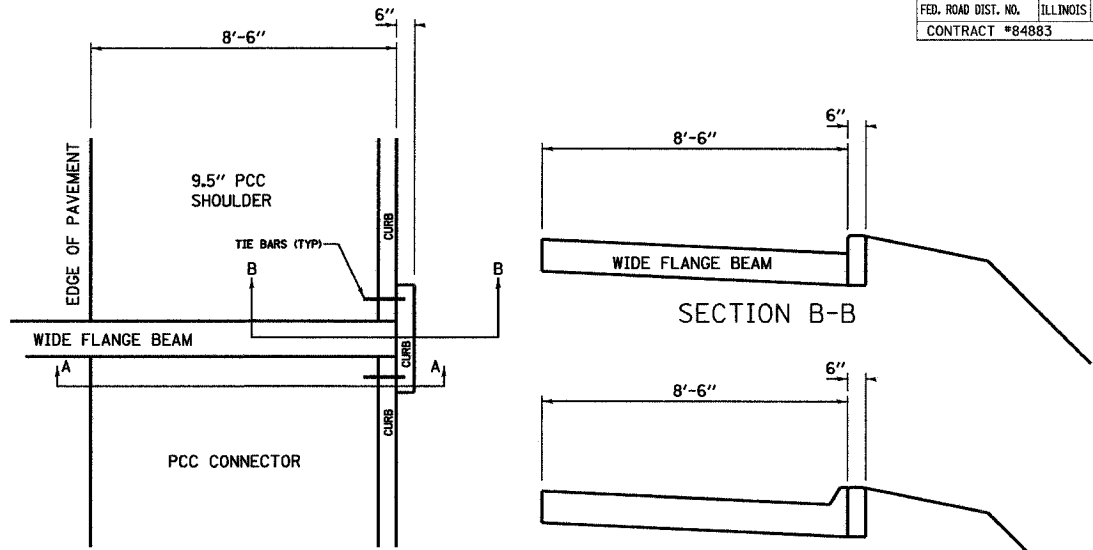


F.A.P. RTE.	SECTION	COUNTY	TOTAL SHEETS	SHEET NO.
309	7HBR&7VBR	WHITESIDE	146	10
STA.		TO STA.		
FED. ROAD DIST. NO.		ILLINOIS	FED. AID PROJECT	
CONTRACT #84883				



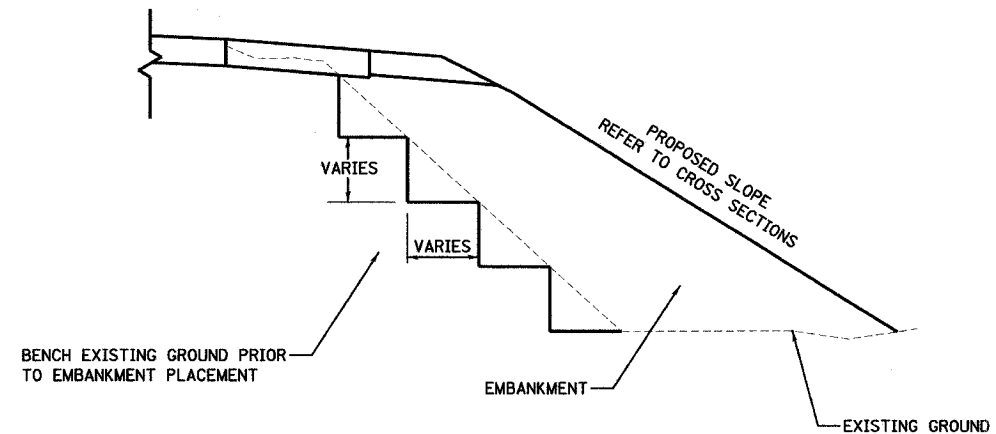
BASE COURSE THICKENED  
EDGE DETAIL

AT RAMPS, ADJACENT TO US 30

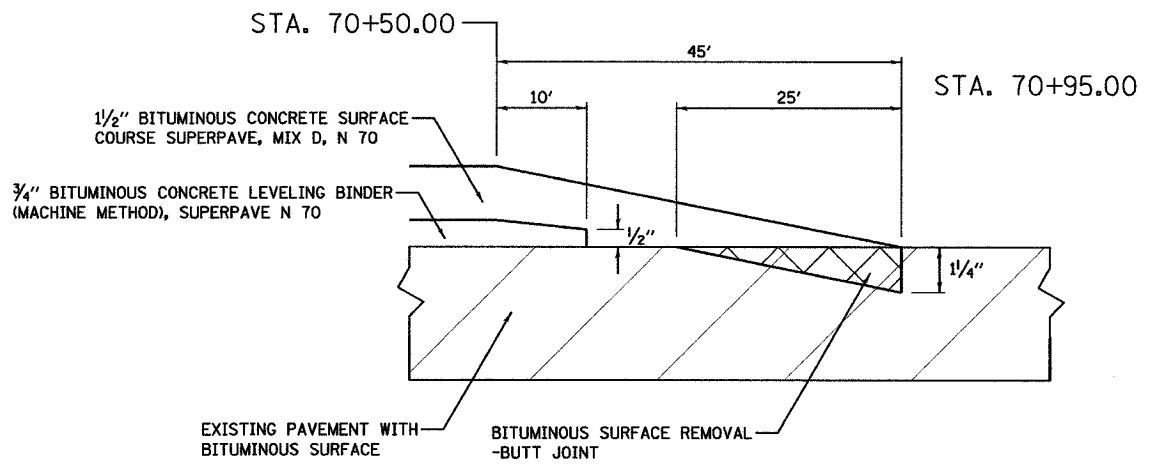


THE COST OF THE ADDITIONAL 3' OF CURB SHALL BE INCLUDED IN THE COST OF THE PCC CONNECTOR

CURB DETAIL AT  
WIDE FLANGE BEAM



BENCHING DETAIL



BITUMINOUS SURFACE REMOVAL  
BUTT JOINT DETAIL - NOT TO SCALE

US 30 STA. 70+50.00 TO US 30 STA. 70+95.00

REVISIONS	
NAME	DATE

ILLINOIS DEPARTMENT OF TRANSPORTATION

TYPICAL SECTIONS

SCALE: VERT.  
HORIZ.  
DATE 08/25/2005

DRAWN BY SWEET  
CHECKED BY ZELINSKAS