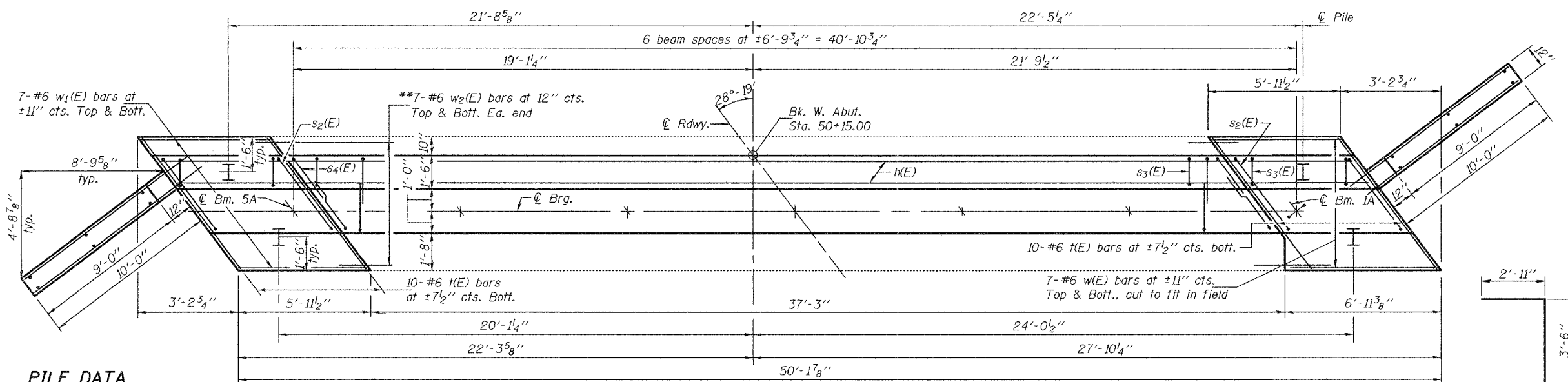
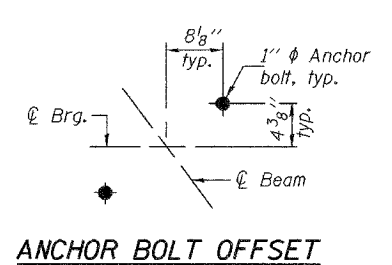
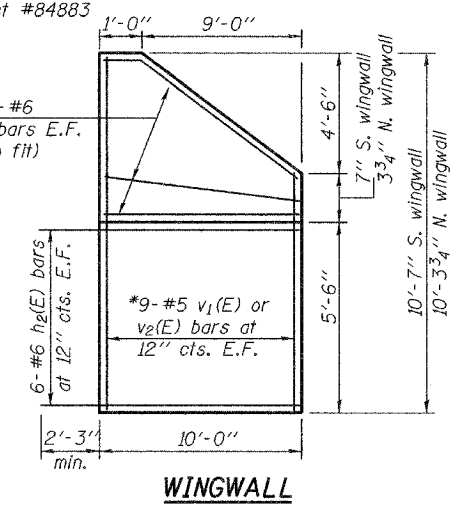
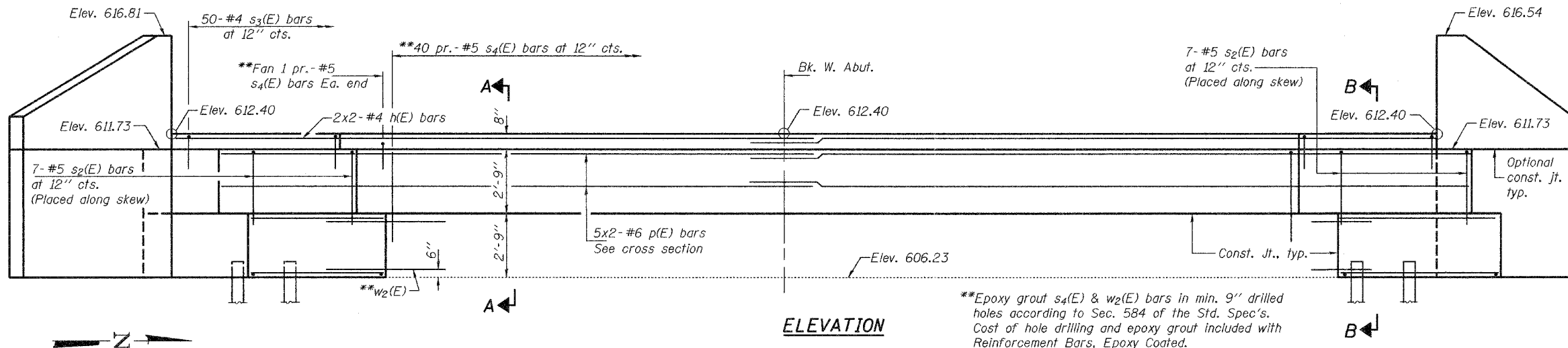


STATE OF ILLINOIS
DEPARTMENT OF TRANSPORTATION

ROUTE NO.	SECTION	COUNTY	SHEETS	SHEET	SHEET NO. 16 23 SHEETS
F.A.P. 309	7HBR-1	WHITESIDE	146	53	
FED. ROAD DIST. NO. 7	ILLINOIS	FED. AID PROJECT-			

Contract #84883



PILE DATA

Type: Steel HP12x53
Capacity: 45 Tons Driven to 67.5 Ton
Est. Length: 57'
No. Req'd.: 4

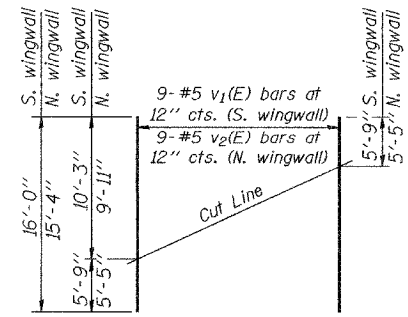
MIN. BAR LAPS

- #4 bar = 1'-8"
- #5 bar = 2'-2"
- #6 bar = 2'-7"

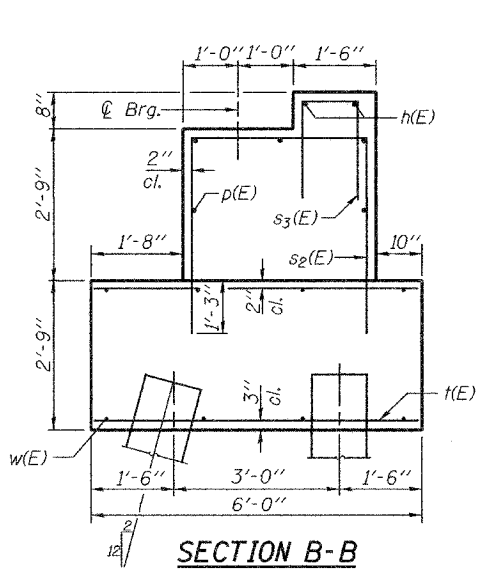
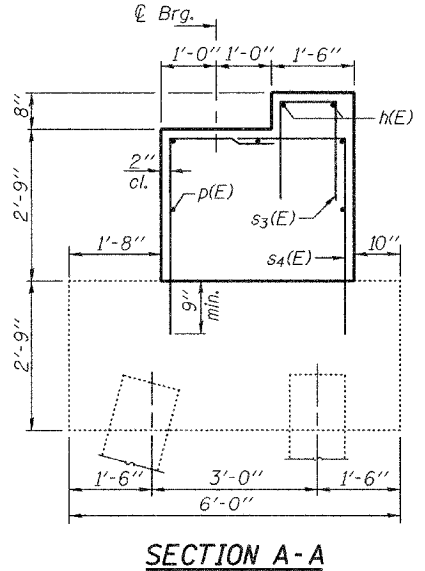
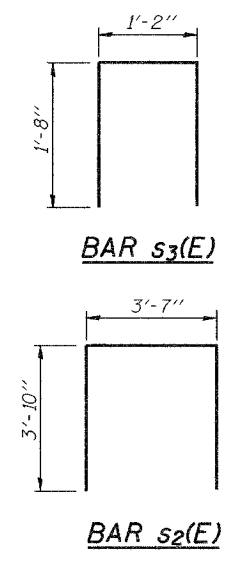
Notes: Space reinforcement in cap to miss anchor bolts.
All edges shall have standard 3/4" chamfers except as noted.
Pour steps monolithically with cap.
For anchor bolt installation details see sheet 14 of 23.
Bars indicated thus 3x2-#5 etc. indicates 3 lines of bars with 2 lengths per line.

DESIGNED	CCC
CHECKED	DPN
DRAWN	h.t. duong
CHECKED	CCC/DPN

Oct. 11, 2005
EXAMINED *Thomas J. Demagala*
PASSED *Ralph E. Anderson*
ENGINEER OF BRIDGE DESIGN
ENGINEER OF BRIDGES AND STRUCTURES



Order v₁(E) & v₂(E) full length. Cut as shown and use remainder of bars in opposite face.



BILL OF MATERIAL

Bar	No.	Size	Length	Shape
h(E)	4	#4	25'-9"	—
h ₁ (E)	24	#6	10'-9"	—
h ₂ (E)	24	#6	12'-3"	—
p(E)	10	#6	26'-4"	—
s ₂ (E)	14	#5	11'-3"	□
s ₃ (E)	50	#4	4'-6"	□
s ₄ (E)	80	#5	6'-5"	□
h(E)	20	#6	6'-5"	—
v ₁ (E)	9	#5	16'-0"	—
v ₂ (E)	9	#5	15'-4"	—
w(E)	14	#6	6'-9"	—
w ₁ (E)	14	#6	5'-9"	—
w ₂ (E)	28	#6	3'-6"	—
Reinforcement Bars, Epoxy Coated		Pound	3040	
Concrete Structures		Cu. Yds.	33.5	
Structure Excavation		Cu. Yds.	189	
Furnishing Steel Piles HP12x53		Foot	228.0	

Reinforcement bars designated (E) shall be epoxy coated.

WEST ABUTMENT
F.A.P. RTE. 309 - SEC. 7HBR-1
WHITESIDE COUNTY
STATION 51+17.83
STRUCTURE NO. 098-6000