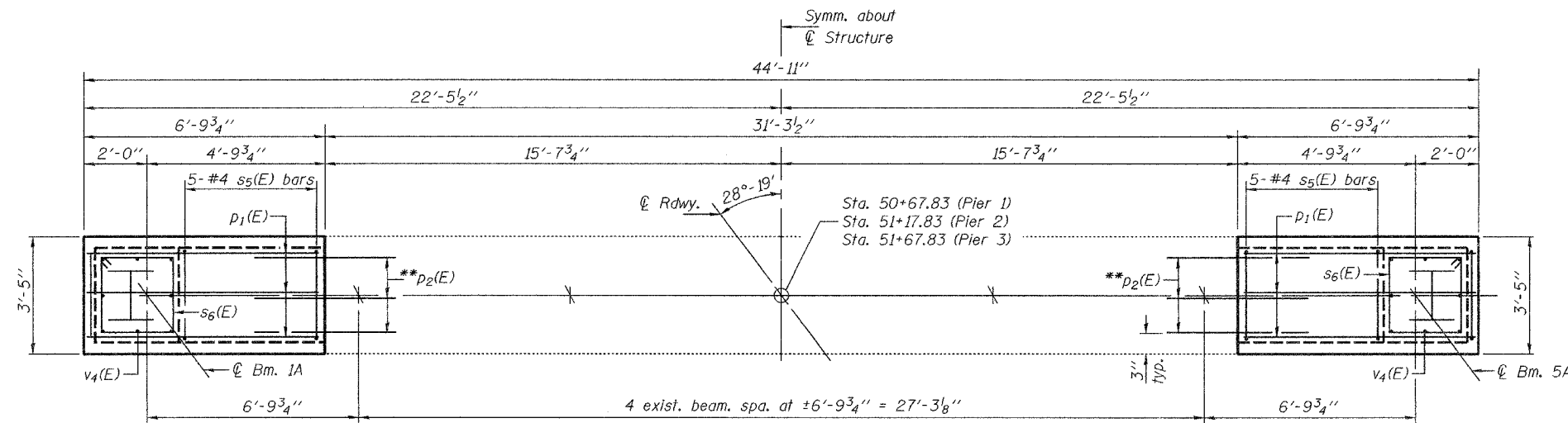


STATE OF ILLINOIS
DEPARTMENT OF TRANSPORTATION

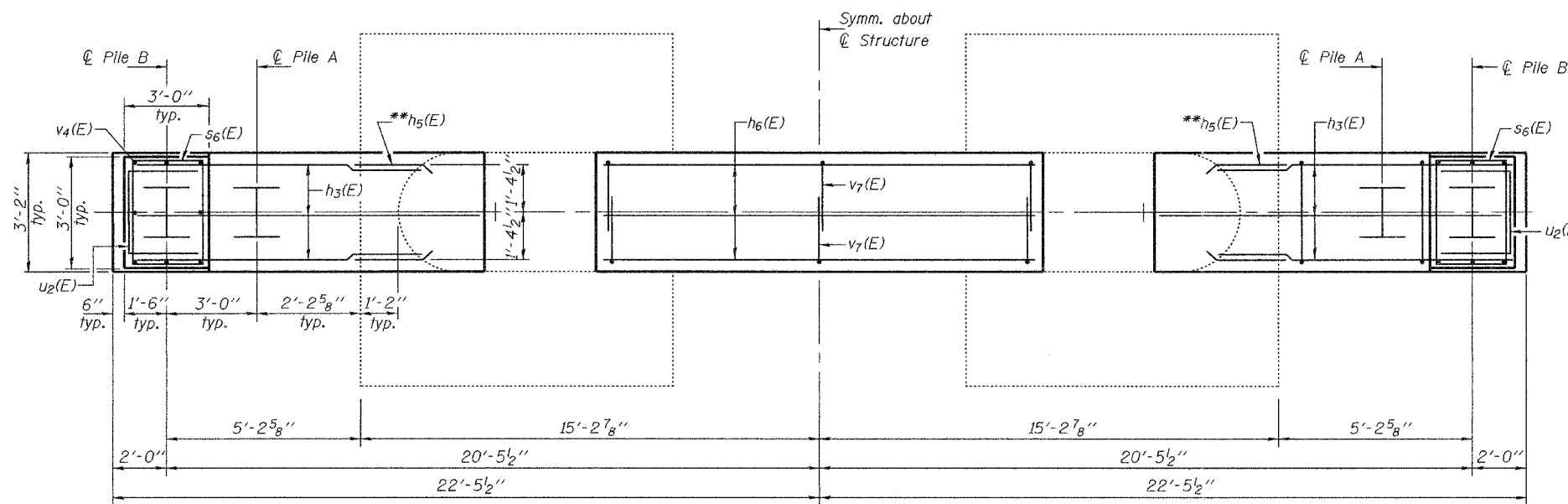
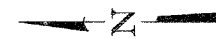
ROUTE NO.	SECTION	COUNTY	TOTAL SHEETS	SHEET NO.
F.A.P. 309	7HBR-1	WHITESIDE	146	56
FED. ROAD DIST. NO. 7	ILLINOIS	FED. AID PROJECT		

SHEET NO. 19
23 SHEETS

Contract #84883



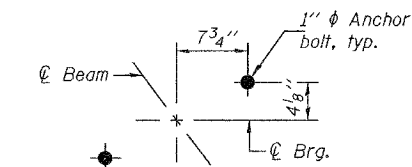
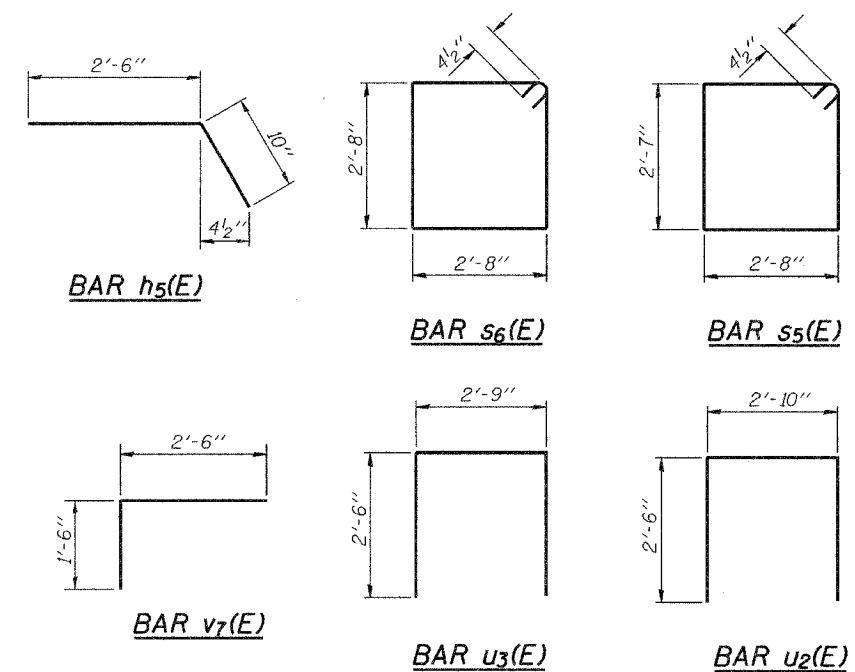
PIER CAP - PLAN



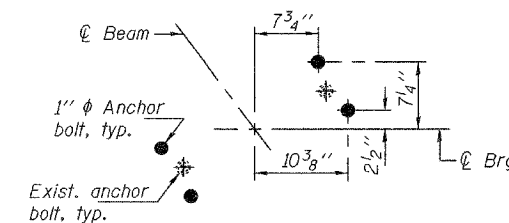
FOOTING - PLAN

**Epoxy grout p2(E) and h5(E) bars in min. 9" drilled holes according to Sec. 584 of the Std. Spec's. Cost of hole drilling and epoxy grout included with Reinforcement Bars, Epoxy Coated.

Notes: Space reinforcement in cap to miss anchor bolts.
All edges shall have standard 3/4" chamfers except as noted.
For anchor bolt installation details see sheet 14 of 23.



ANCHOR BOLT OFFSET
PIER 2
Beams 1A & 5A



ANCHOR BOLT OFFSET
PIERS 1 & 3

THREE PIERS
BILL OF MATERIAL

Bar	No.	Size	Length	Shape
h3(E)	18	#5	9'-8"	—
h4(E)	136	#5	8'-1"	—
h5(E)	144	#5	3'-4"	—
h6(E)	9	#5	16'-2"	—
p1(E)	48	#6	6'-8"	—
p2(E)	48	#6	3'-6"	—
s5(E)	36	#4	11'-3"	□
s6(E)	84	#4	11'-5"	□
u2(E)	78	#5	7'-10"	—
u3(E)	54	#5	7'-9"	—
v3(E)	48	#6	4'-7"	—
v4(E)	48	#6	13'-10"	—
v5(E)	72	#5	10'-8"	—
v6(E)	36	#5	7'-9"	—
v7(E)	102	#5	4'-0"	—
Reinforcement Bars, Epoxy Coated		Pound		7540
Concrete Structures		Cu. Yds.		107
Structure Excavation		Cu. Yds.		115.5
Furnishing Steel Piles HP12x53		Foot		886

Reinforcement bars designated (E) shall be epoxy coated.

MIN. BAR LAPS

#5 bar = 2'-2"
#6 bar = 2'-7"

PIERS
F.A.P. RTE. 309 - SEC. 7HBR-1
WHITESIDE COUNTY
STATION 51+17.83
STRUCTURE NO. 098-6000

DESIGNED	CCC
CHECKED	DPN
DRAWN	h.t. duong
CHECKED	CCC/DPN

EXAMINED	Thomas J. Damagala ENGINEER OF BRIDGE DESIGN
PASSED	Ralph E. Anderson ENGINEER OF BRIDGES AND STRUCTURES

Oct. 11, 2005