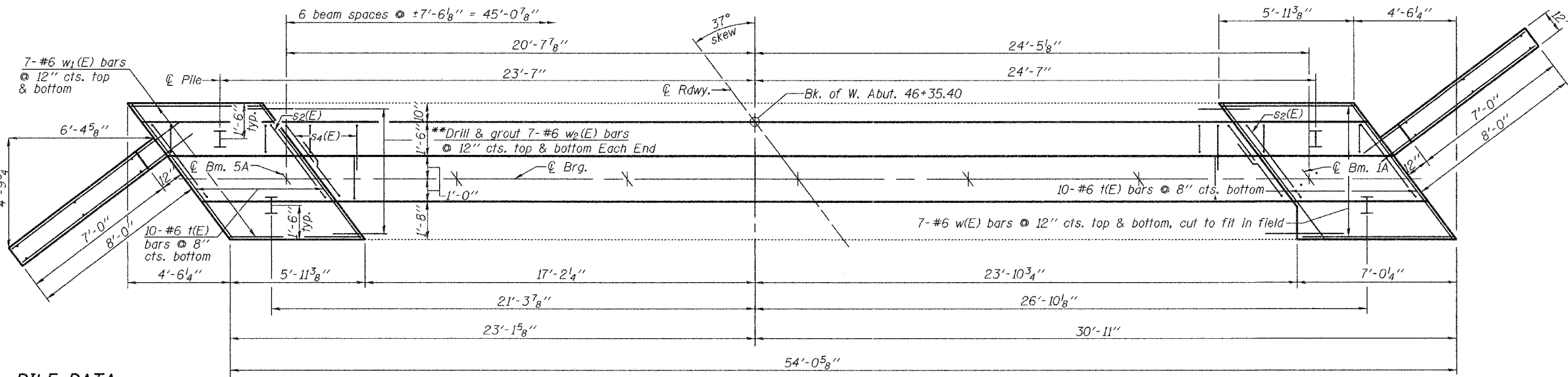
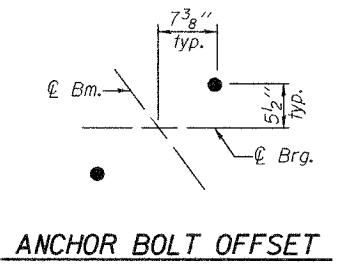
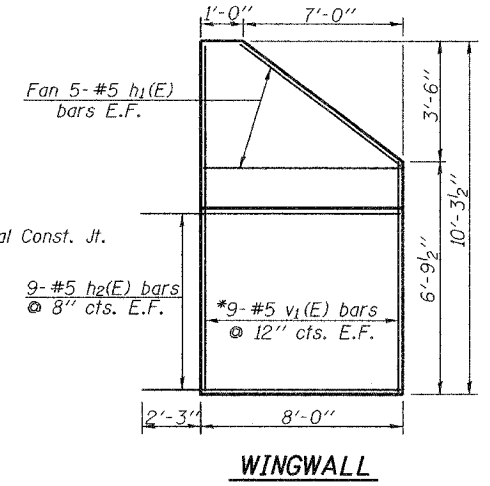
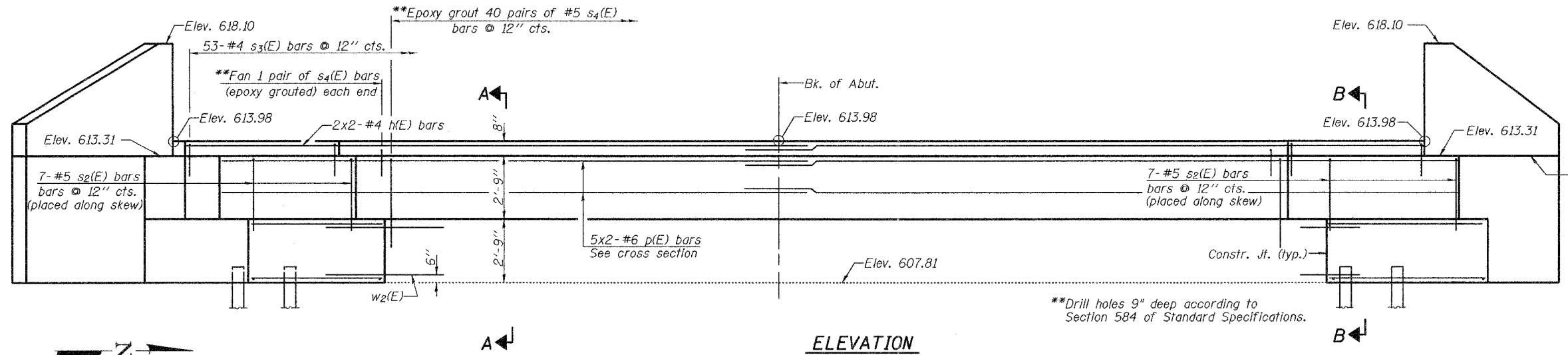


STATE OF ILLINOIS
DEPARTMENT OF TRANSPORTATION

ROUTE NO. F.A.P. 309	SECTION 7VBR	COUNTY WHITESIDE	TOTAL SHEETS 146	SHEET NO. 73	SHEET NO. 13 22 SHEETS
FED. ROAD DIST. NO. 7		ILLINOIS	FED. AID PROJECT		

Contract #84883



PILE DATA

Type: Steel HP12x53
Capacity: 30 Tons Driven to 45 Ton
Est. Length: 50'
No. Req'd.: 4

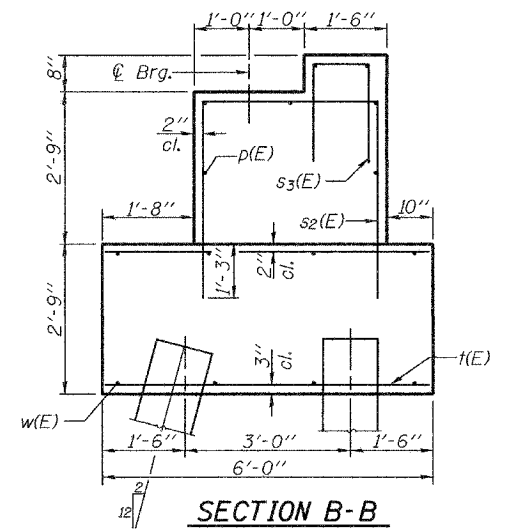
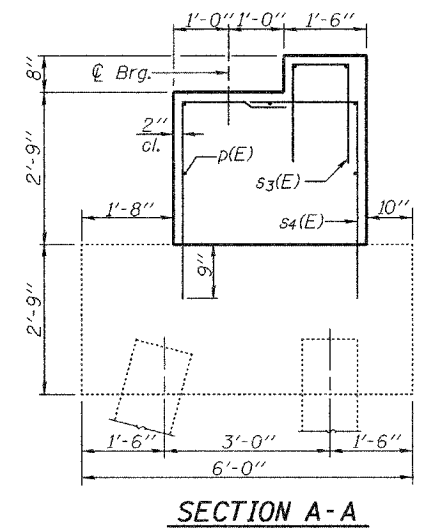
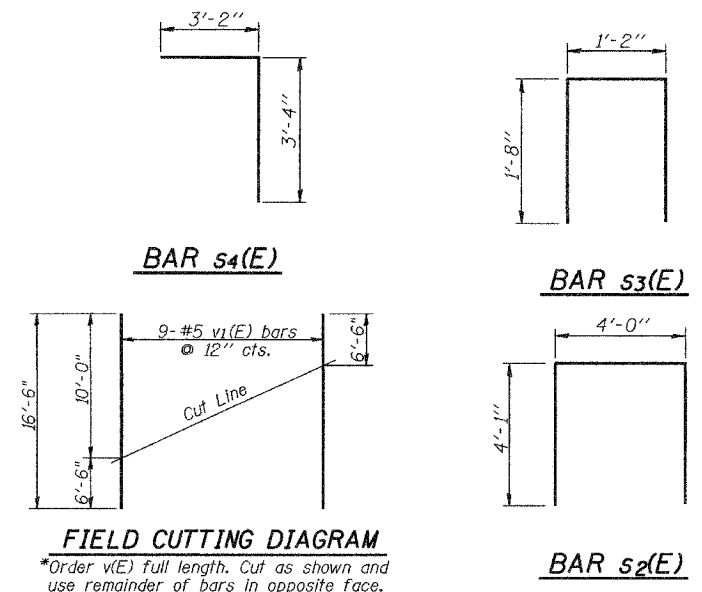
MIN. BAR LAPS

#4 bar = 1'-8"
#6 bar = 2'-7"

Notes: Space reinforcement in cap to miss anchor bolts.
All edges shall have standard 3/4" chamfers except as noted.
Pour steps monolithically with cap.
For anchor bolt installation details see sheet 18 of 22.
Bars indicate thus 3x2-#5 etc. indicates 3 lines of bars with 2 lengths per line.

DESIGNED Patrick M. Petrone
CHECKED Stephen M. Ryan
DRAWN R. Sommer
CHECKED P.M.P./S.M.R.

October 11, 2005
EXAMINED Thomas J. Demagala
PASSED Ralph E. Anderson
ENGINEER OF BRIDGES AND STRUCTURES



BILL OF MATERIAL

Bar	No.	Size	Length	Shape
h(E)	4	#4	28'-0"	—
h ₁ (E)	20	#4	7'-9"	—
h ₂ (E)	36	#5	10'-1"	—
p(E)	10	#6	28'-4"	—
s ₂ (E)	14	#5	12'-2"	□
s ₃ (E)	53	#4	4'-6"	—
s ₄ (E)	84	#5	6'-6"	—
k(E)	20	#6	7'-2"	—
v ₁ (E)	18	#5	16'-6"	—
w(E)	14	#6	6'-9"	—
w ₁ (E)	14	#6	5'-8"	—
w ₂ (E)	28	#6	3'-0"	—
Reinforcement Bars, Epoxy Coated		Pound	2800	
Concrete Structures		Cu. Yds.	33.8	
Structure Excavation		Cu. Yds.	131	
Furnishing Steel Piles HP 12x53		Foot	200	

Reinforcement bars designated (E) shall be epoxy coated.

WEST ABUTMENT
F.A.P. RT. 309 SEC. 7VBR
WHITESIDE COUNTY
STATION 47+18.53
STRUCTURE No. 098-6001