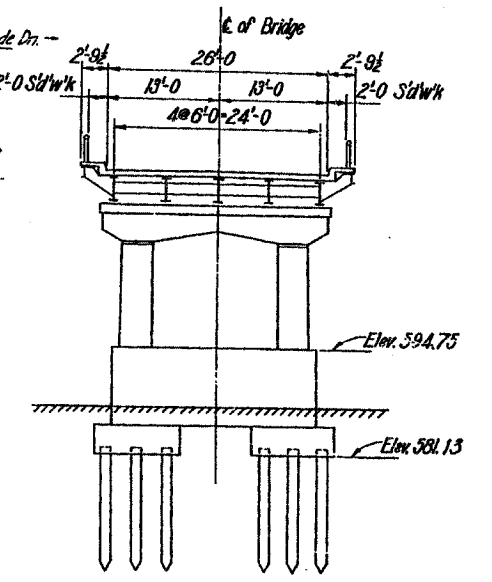
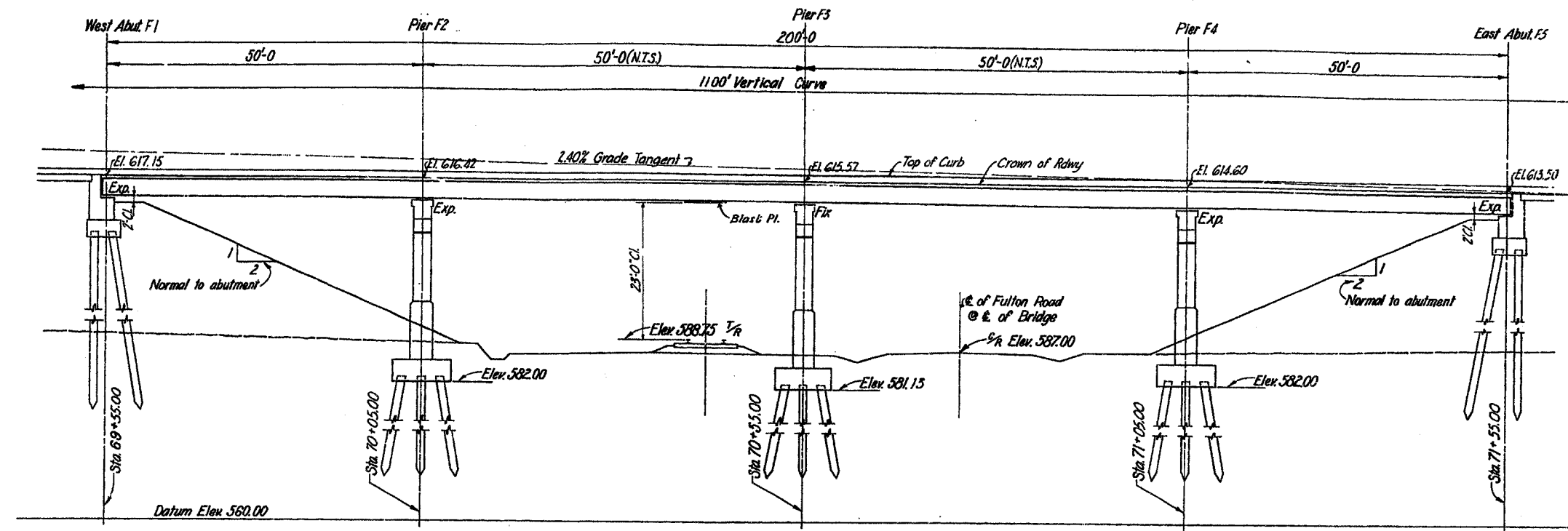
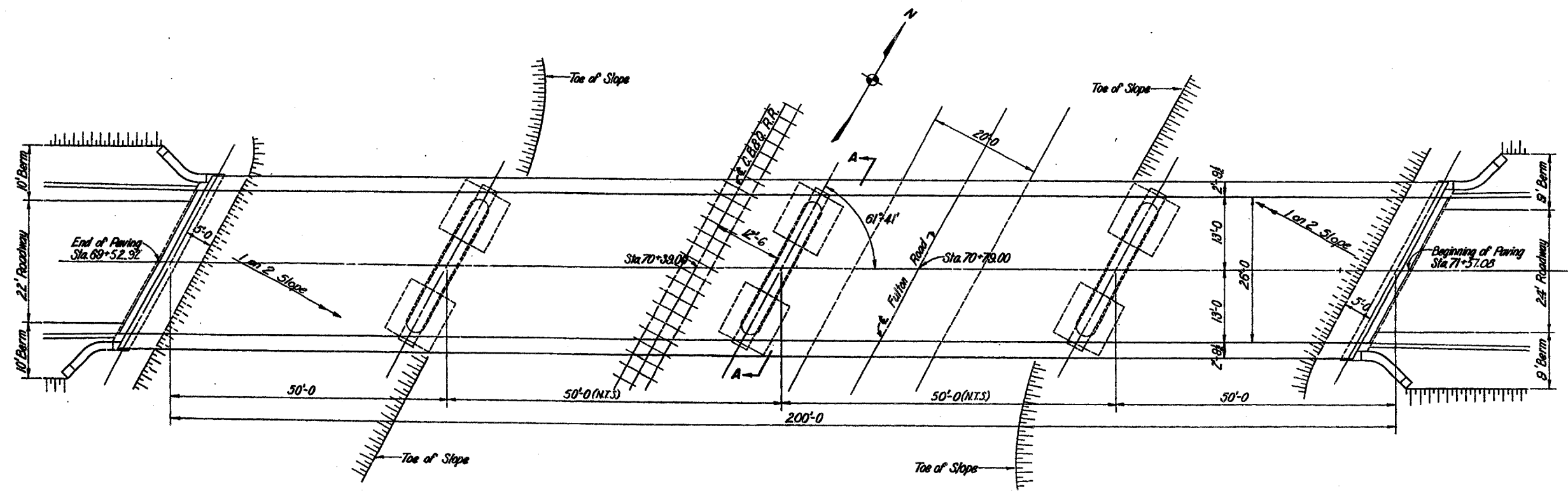


F.A.R. RTE.	SECTION	COUNTY	TOTAL SHEETS	SHEET NO.
309	7HBR-1 & 7VBR	WHITESIDE	146	82
STA.	TO STA.			
FED. ROAD DIST. NO.	ILLINOIS	FED. AID PROJECT		



SECTION THROUGH BRIDGE ALONG CENTERLINE
With position of piles as viewed parallel to skewed $\frac{1}{2}^\circ$ of piers & abutments.

NOTES:
There shall be a single vertical test pile driven in each pier and each abutment, and one of the pier vertical test piles shall carry a load test.



PLAN

SN 098-6000

MISSISSIPPI RIVER BRIDGE
AT CLINTON, IOWA
CITY OF CLINTON BRIDGE COMMISSION
GENERAL PLAN & ELEVATION
FULTON ROAD BRIDGE



CONTRACT NO. 7 SCALE DRAWING NO. 2
MODJESKI & MASTERS, ENGINEERS
OCTOBER, 1951

APPROVED:
F. M. Masters
FOR MODJESKI & MASTERS

THIS DRAWING REVISIONS TO SHOW THE WORK AS CONSTRUCTED. JAN 1957
Revised: 5-10-51
Revised: 7-10-51
DR. R.W.C. TR. R.R.P. C.K.T.A.K.