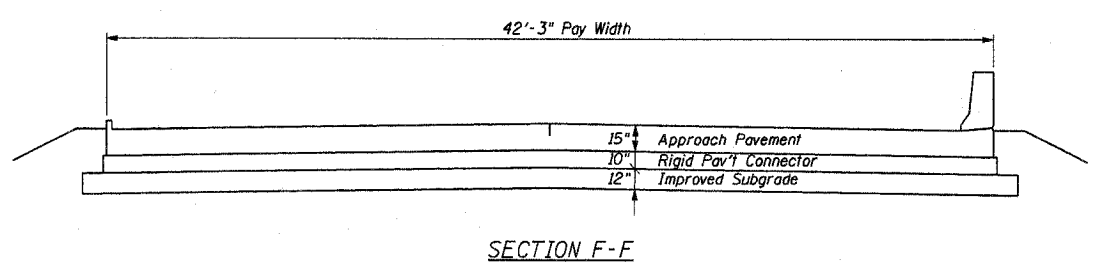
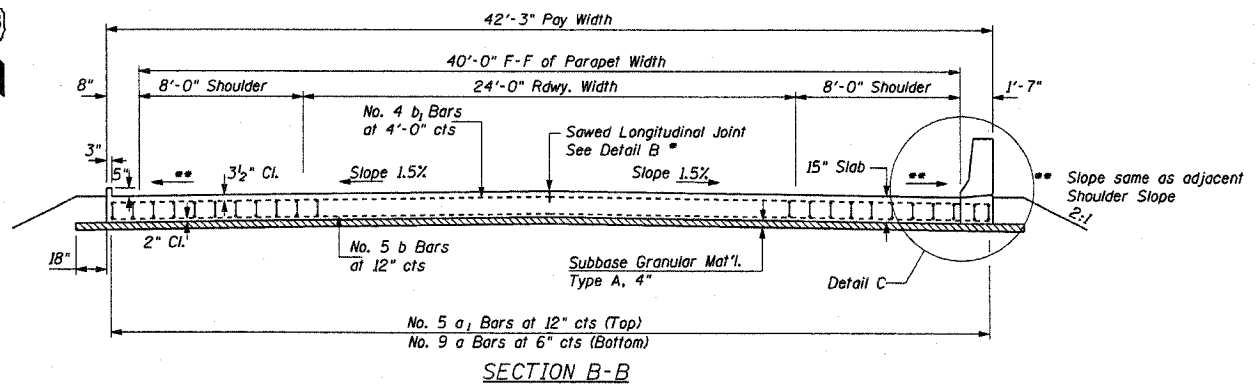
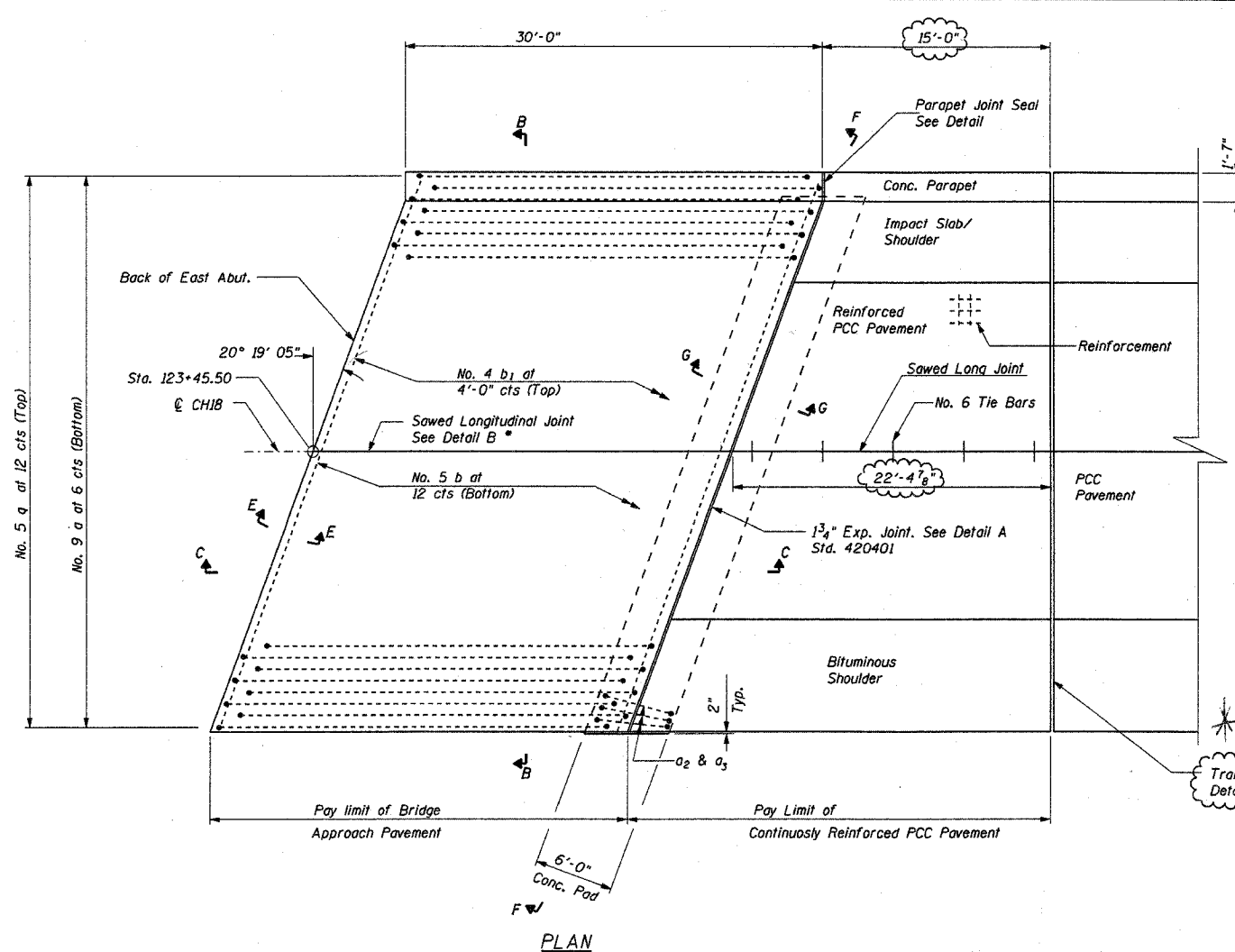
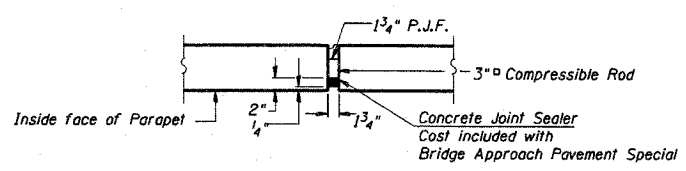


F.A.P. RTE.	SECTION	COUNTY	TOTAL SHEETS	SHEET NO.
642	99-00124-01-PV	COLES	157	105
STA.		TO STA.		
FED. ROAD DIST. NO.		ILLINOIS FED. AID PROJECT		



Transverse Contraction Joint as Detailed on Standard 4200001
 * Saw & or Lane Edge if poured two or more lane widths at a time

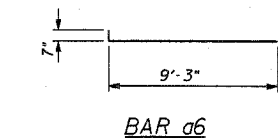
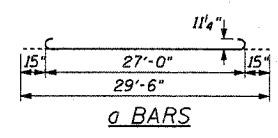
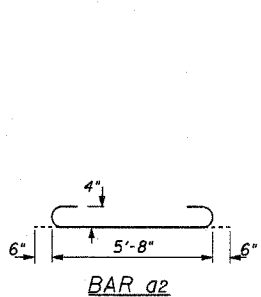
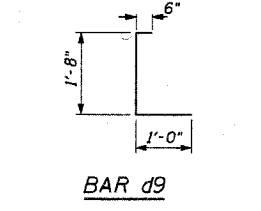
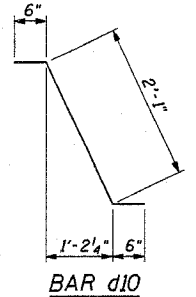
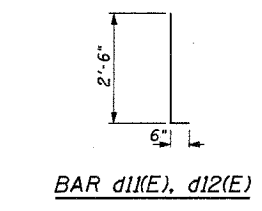
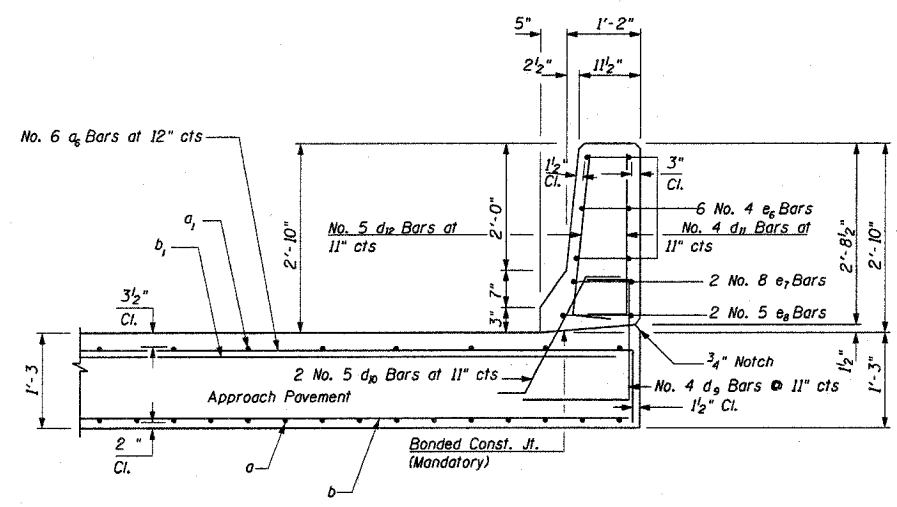


PARAPET JOINT SEAL
 (Cost of Joint Seal included with Concrete Superstructure)

BILL OF MATERIAL

Item	Unit	Qty
Bridge Approach Pavement Special	S.Y.	141

- Notes:
- 1 Bridge Approach Pavement Special shall be constructed to the dimensions shown on this drawing.
 - 2 See "Bridge Approach Pavement" Std. 420401-01 for Section C-C, Section G-G-Rigid Pavement, Section E-E, Detail A, and Detail B.
 - 3 All Reinforcement bars shall be epoxy coated.
 - 4 See Std. 421001 for reinforcement details not shown.
 - 5 See Std 420001 for details of Joints not shown.
 - 6 All Parapet Corners chamfered 3/4"x3/4"



DESIGN STRESSES

f'c = 3500 psi
 fy = 60000 psi
 n = 8.5

THE UPCHURCH GROUP
 HILLSIDE, IL. (708) 449-2321
 MATTOON, IL. (217) 235-3177

DETAIL C

* Addendum 11-7-05

REVISIONS	
NAME	DATE

ILLINOIS DEPARTMENT OF TRANSPORTATION
 BRIDGE APPROACH PAVEMENT SPECIAL
 CH 18 OVER US 45 AND CN/IC RR
 FAS 642 SECTION 99-00124-01-PV
 COLES COUNTY
 STA. 121+87.25 STR. No. 015-3400
 SCALE: DATE: 1-21-2004
 DRAWN BY LMP
 CHECKED BY MJS