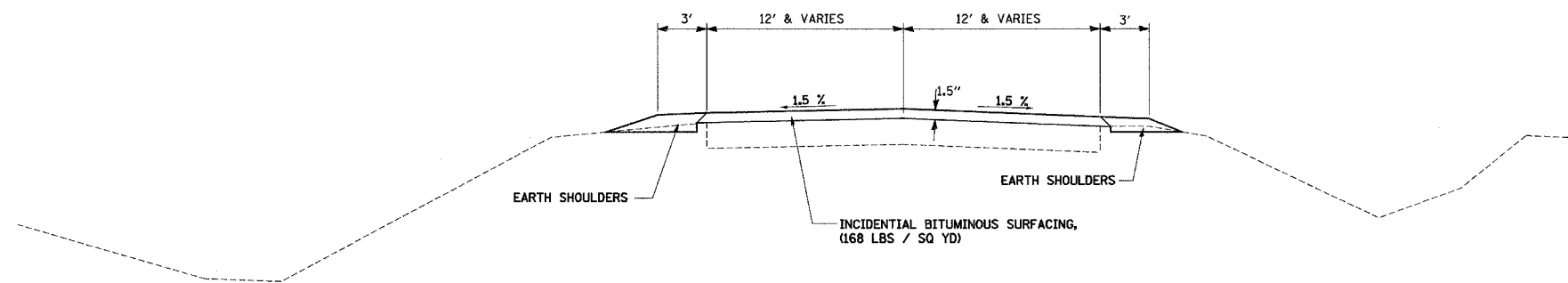


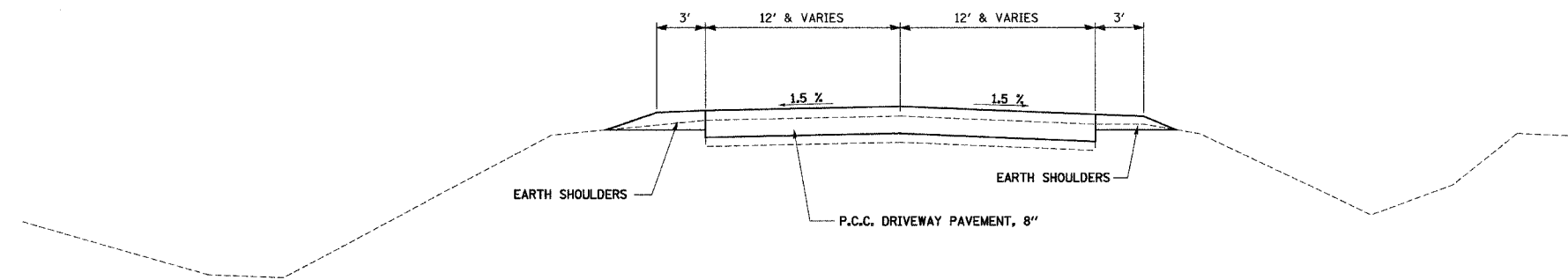
F.A.S. RTE.	SECTION	COUNTY	TOTAL SHEETS	SHEET NO.
642	99-00124-01-PV	COLES	157	11
STA.		TO STA.		
FED. ROAD DIST. NO.		ILLINOIS FED. AID PROJECT		

13 PROPOSED TYPICAL CROSS SECTION  
MASTERFOODS PARKING LOT ENTRANCE



STA 3+16.62 TO STA 5+73.31 14

14 PROPOSED TYPICAL CROSS SECTION  
MASTERFOODS PARKING LOT ENTRANCE



13 STA 5+73.31 TO STA 9+82.60

REVISIONS	
NAME	DATE

ILLINOIS DEPARTMENT OF TRANSPORTATION

**PROPOSED TYPICAL SECTIONS**

SCALE: VERT.      DRAWN BY      RLH  
 HORIZ.              CHECKED BY      MED  
 DATE 04/04/2005

TUG PROJ. #13191022-5  
 ...SHEET-W.dgn  
 04/04/2005