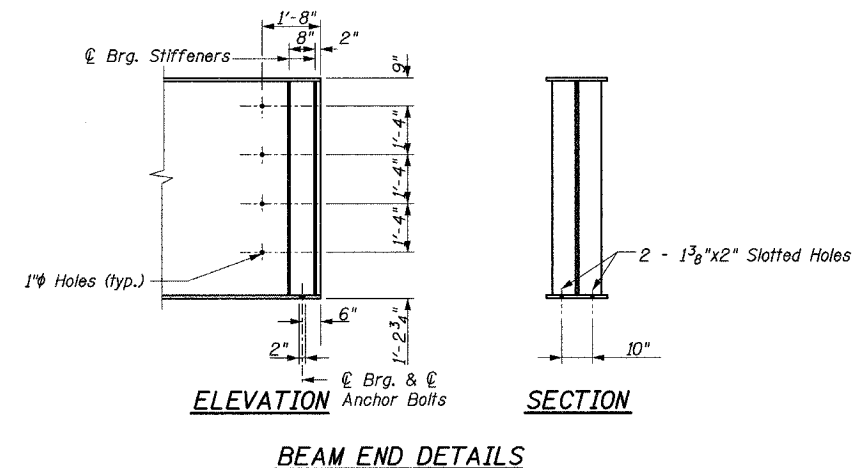
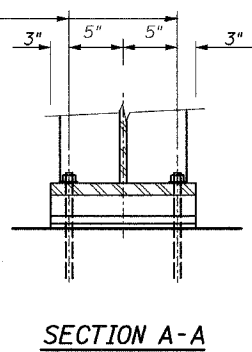
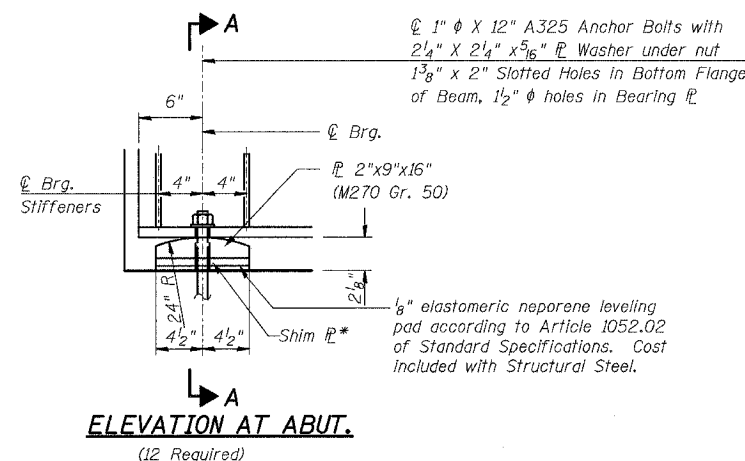
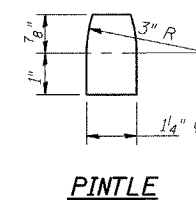
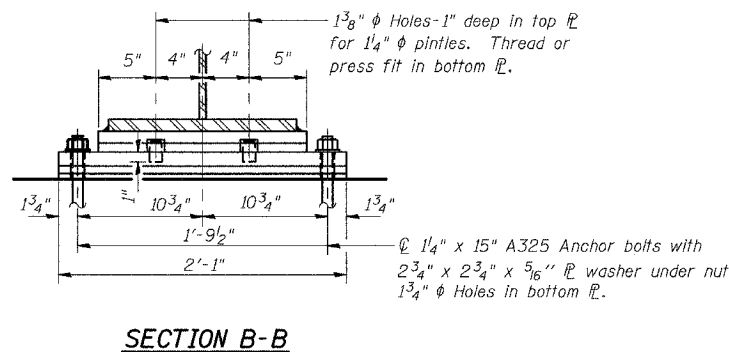
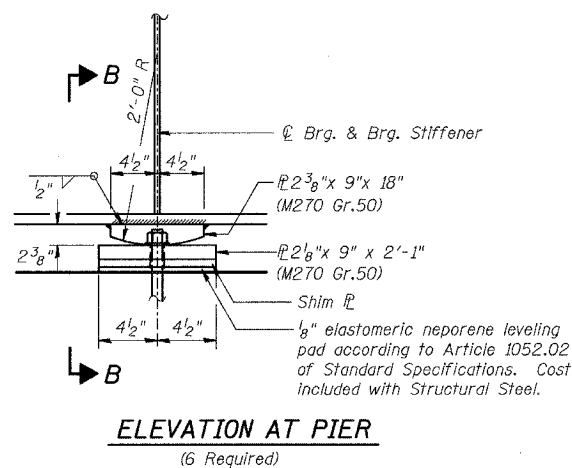


F.A.P. RTE.	SECTION	COUNTY	TOTAL SHEETS	SHEET NO.
642	99-00124-01-PV	COLES	157	96
STA.		TO STA.		
FED. ROAD DIST. NO.	ILLINOIS	FED. AID PROJECT		



**FIXED BEARING AT ABUT.**



**FIXED BEARING AT PIER**

**\* SHIM  $\varnothing$  REQUIRED IN ADDITION TO THE TWO  $\frac{1}{8}$ " ADJUSTING SHIMS**

Location	Beam No.	Shim $\varnothing$ Thickness (in.)
West Abutment	Beam 3	$\frac{3}{8}$ "
East Abutment	Beam 4	$\frac{1}{8}$ "

Notes: Anchor bolts at fixed bearings may be built into the masonry.  
See sheet 17 of 21 for Anchor Bolt installation.

**THE UPCHURCH GROUP**

HILLSIDE, IL. (708) 449-2821  
MATTOON, IL. (217) 235-3177

REVISIONS	
NAME	DATE

ILLINOIS DEPARTMENT OF TRANSPORTATION  
**BEARING DETAILS**  
 CH 18 OVER US 45 AND CN/IC RR  
 FAS 642 SECTION 99-00124-01-PV  
 COLES COUNTY  
 STA. 121+87.25 STR. No. 015-3400  
 SCALE: DRAWN BY LMP  
 DATE: 1-21-2004 CHECKED BY MJS