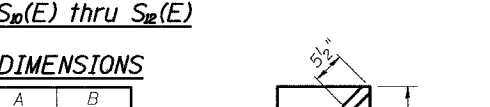
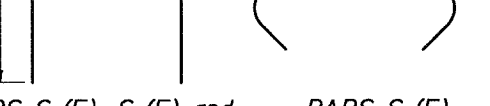
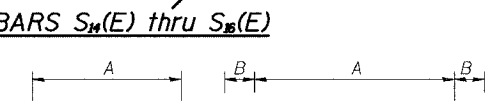
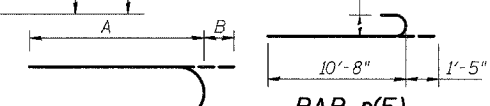
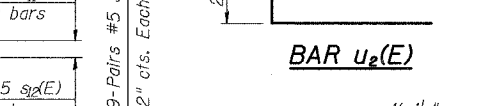
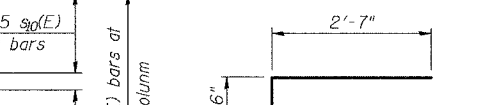
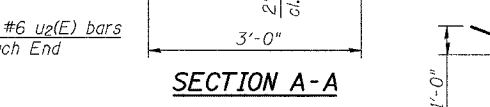
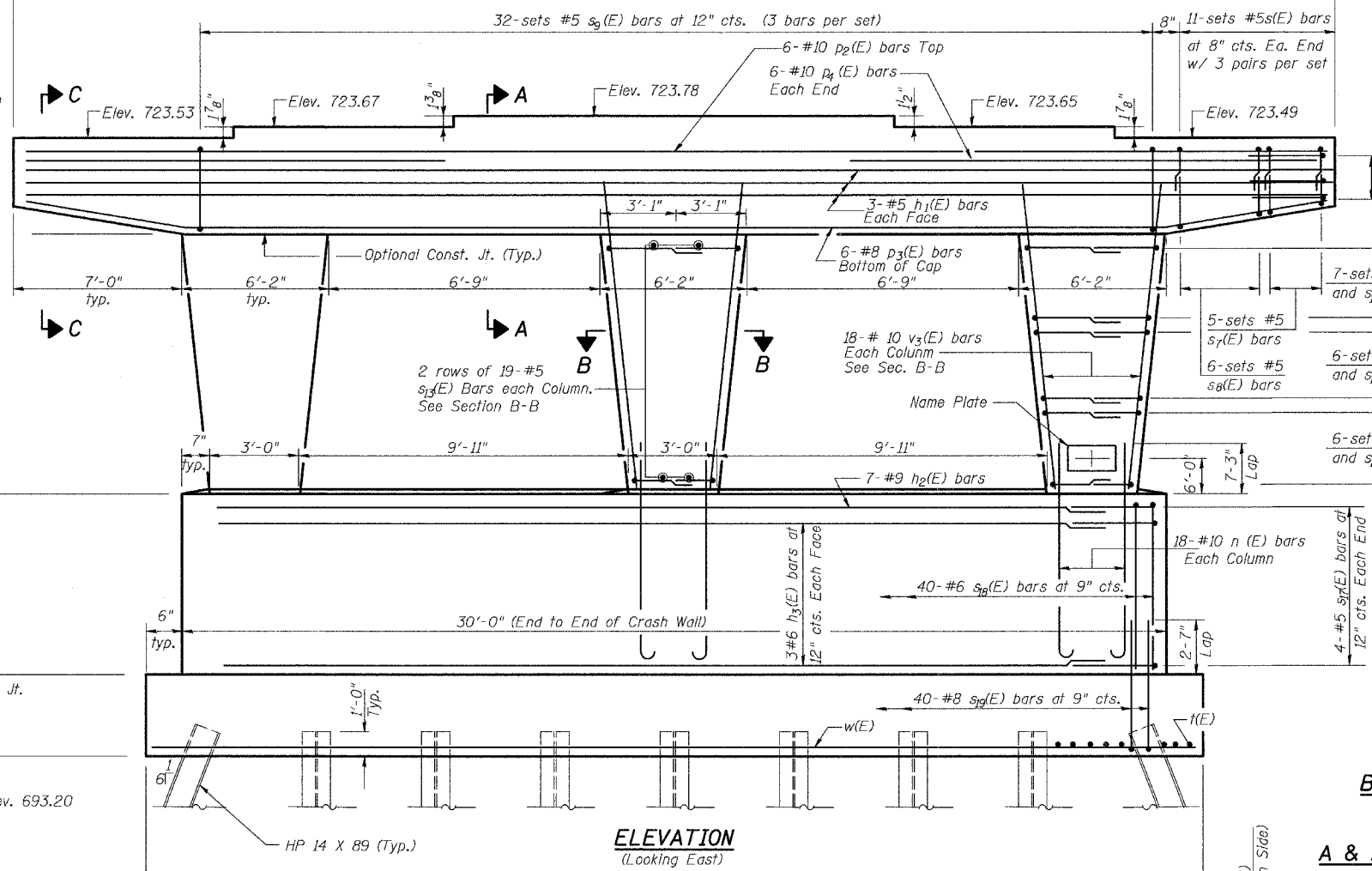
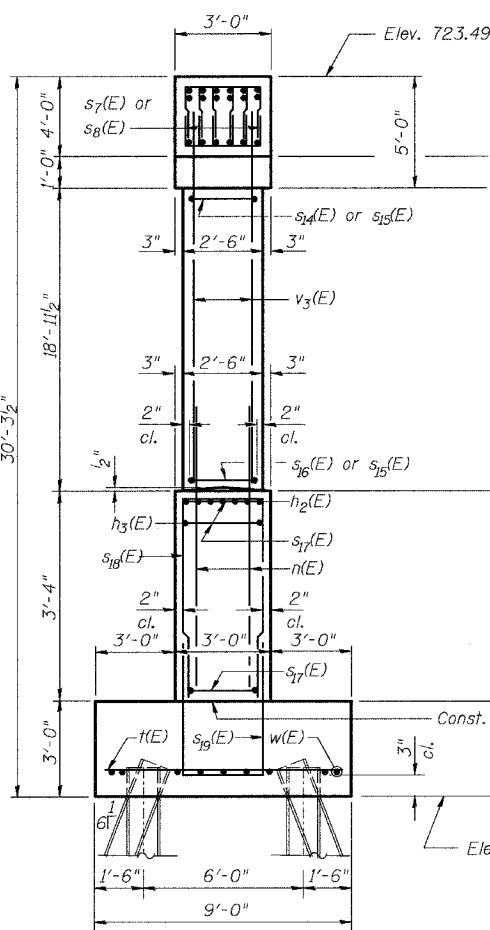
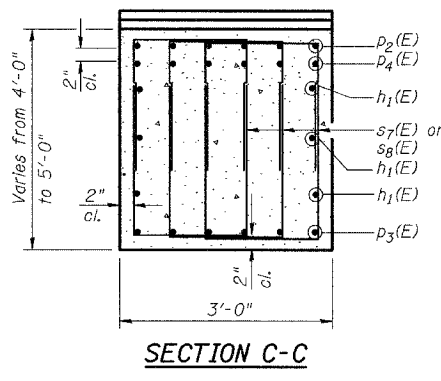
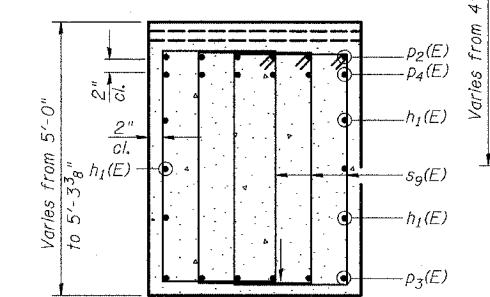
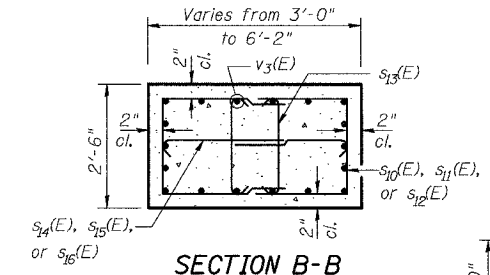
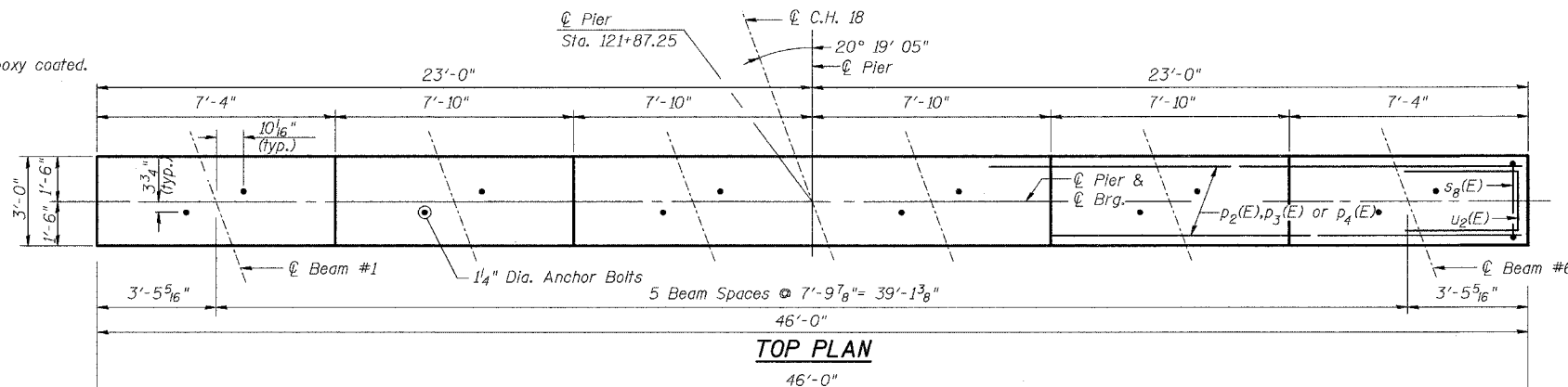


F.A.P. RTE.	SECTION	COUNTY	TOTAL SHEETS	SHEET NO.
642	99-00124-01-PV	COLES	157	99
STA.		TO STA.		
FED. ROAD DIST. NO.		ILLINOIS FED. AID PROJECT		

- NOTES:
1. Pour steps monolithically with cap.
 2. Reinforcement bars designated (E) shall be epoxy coated.
 3. Space reinforcement to miss anchor bolts.



Bar	No.	Size	Length	Shape
h1(E)	6	5	45'-8"	
h2(E)	7	9	29'-8"	
h3(E)	6	6	29'-8"	
n(E)	54	10	12'-1"	
p2(E)	6	10	45'-8"	
p3(E)	6	8	45'-10"	
p4(E)	12	10	18'-0"	
s7(E)	60	5	8'-0"	
s8(E)	72	5	8'-6"	
s9(E)	96	5	13'-7"	
s10(E)	42	5	10'-2"	
s11(E)	36	5	9'-4"	
s12(E)	36	5	7'-6"	
s13(E)	114	5	3'-1"	
s14(E)	42	5	3'-2"	
s15(E)	36	5	4'-1"	
s16(E)	36	5	4'-6"	
s17(E)	8	5	6'-10"	
s18(E)	40	6	9'-0"	
s19(E)	40	8	13'-4"	
l(E)	46	9	8'-9"	
u2(E)	8	6	7'-8"	
v3(E)	54	10	22'-6"	
w(E)	9	8	30'-9"	

A & B DIMENSIONS

Bar	A	B
s7(E)	1'-8"	3'-2"
s8(E)	1'-8"	3'-5"
s9a(E)	2'-2"	4'-0"
s11(E)	2'-2"	3'-7"
s12(E)	2'-2"	2'-8"
s13(E)	2'-2"	0'-5 1/2"
s14(E)	2'-8"	0'-5 1/2"
s15(E)	3'-7"	0'-5 1/2"
s16(E)	4'-0"	0'-5 1/2"
s17(E)	2'-6"	2'-2"
s18(E)	2'-8"	3'-2"
s19(E)	2'-8"	5'-4"

MIN. BAR LAP

- #5 Bars = 2'-2"
- #6 Bars = 2'-7"
- #10 Bars = 7'-3"

REVISIONS	NAME	DATE

ILLINOIS DEPARTMENT OF TRANSPORTATION
PIER DETAILS
 CH 18 OVER US 45 AND CN/IC RR
 FAS 642 SECTION 99-00124-01-PV
 COLES COUNTY
 STA. 121+87.25 STR. No. 015-3400
 SCALE: DRAWN BY BJF
 DATE: 1-21-2003 CHECKED BY MJS

THE UPCHURCH GROUP
 HILLSIDE, IL. (708) 449-2321
 MATTOON, IL. (217) 235-3177