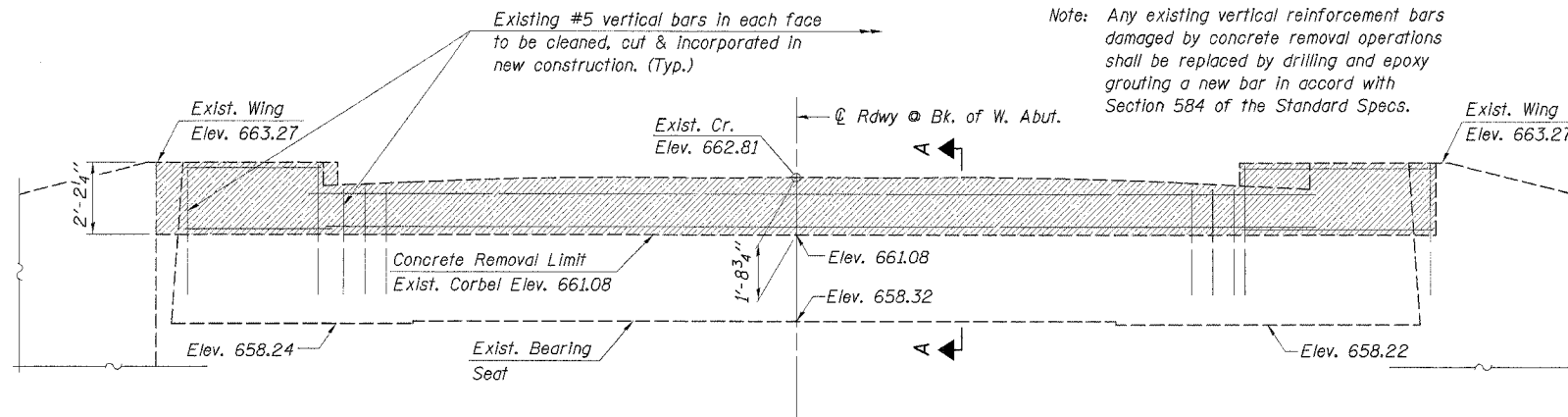


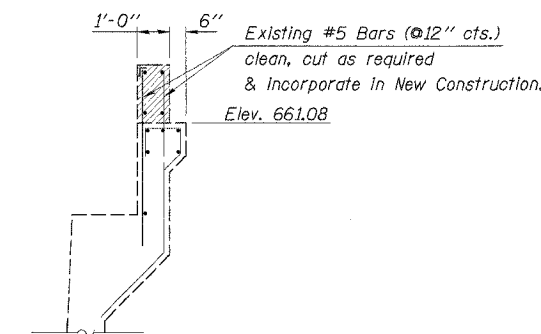
ROUTE NO.	SECTION	COUNTY	TOTAL SHEETS	SHEET NO.
C.H. 16	04-00209-01-BR	PIATT	18	17

ILLINOIS
CONTRACT NO. 91339
Sheet 14 of 15

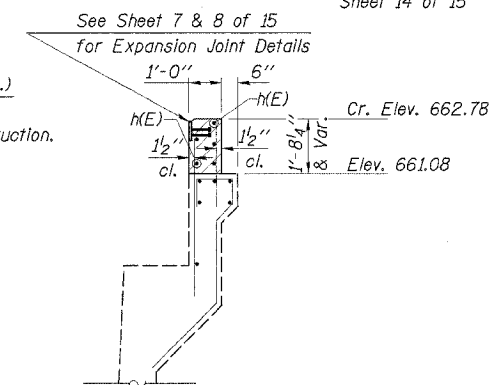


ELEVATION (CONCRETE REMOVAL)

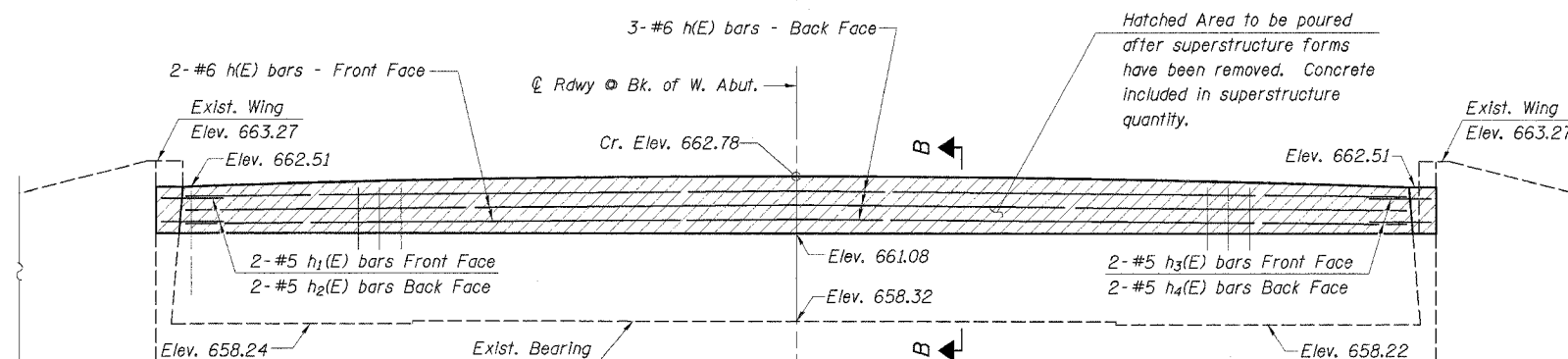
(Looking West)



SECTION A-A

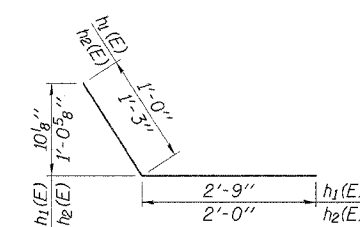


SECTION B-B

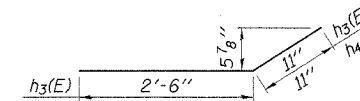


ELEVATION (CONCRETE REPLACEMENT)

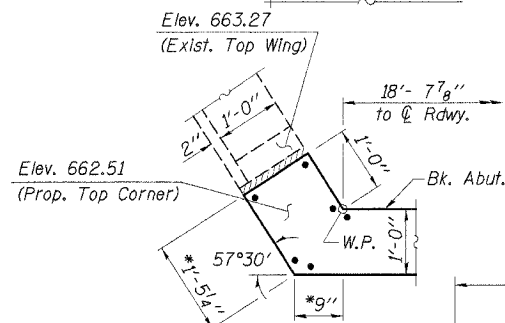
(Looking West)



BARS $h_1(E)$ & $h_2(E)$

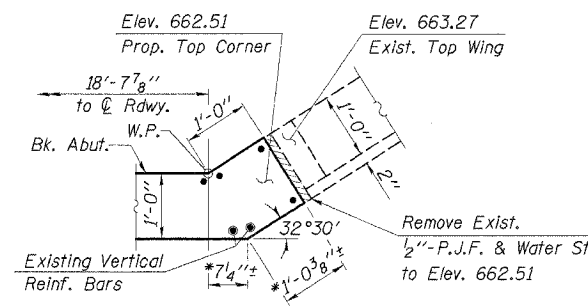


BARS $h_3(E)$ & $h_4(E)$



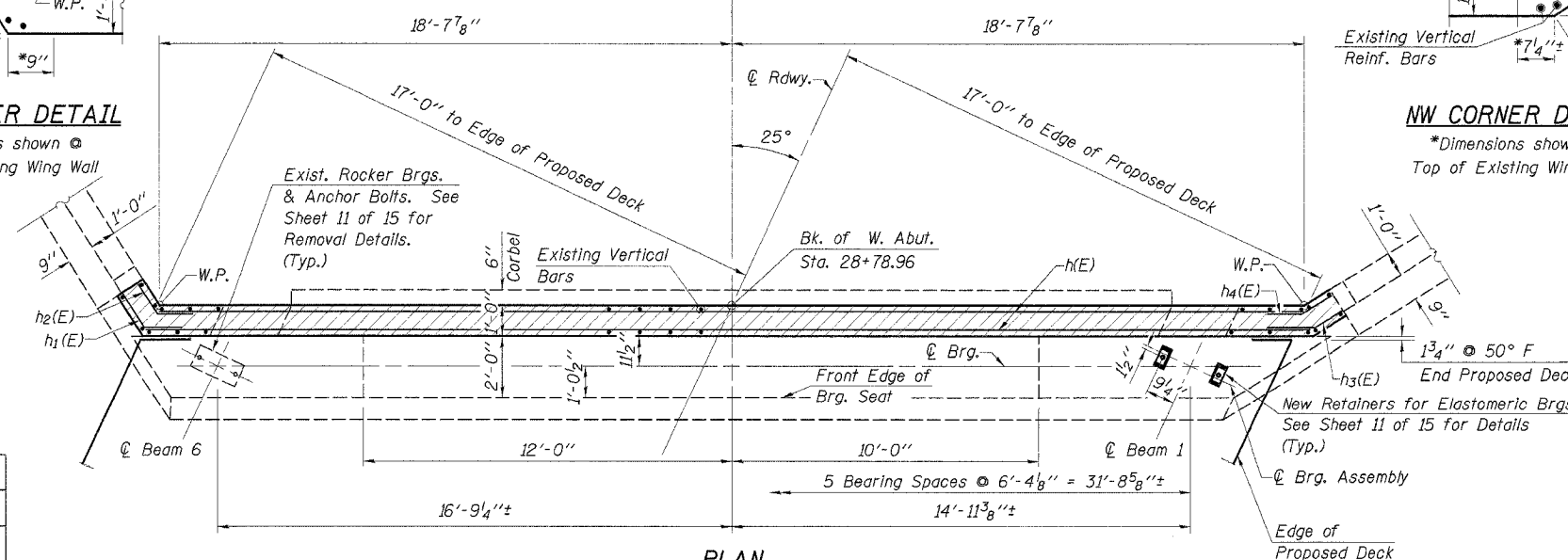
SW CORNER DETAIL

*Dimensions shown @ Top of Existing Wing Wall



NW CORNER DETAIL

*Dimensions shown @ Top of Existing Wing Wall



BILL OF MATERIAL - WEST ABUT.

Bar	No.	Size	Length	Shape
h(E)	5	#6	37'-4"	
h1(E)	2	#5	3'-9"	
h2(E)	2	#5	3'-3"	
h3(E)	2	#5	3'-5"	
h4(E)	2	#5	2'-11"	
Porous Granular Embankment			Ton	15
Concrete Removal			Cu. Yd.	2.8
Reinforcement Bars, Epoxy Coated			Pound	310
Protective Coat			Sq. Yd.	5
Structure Excavation			Cu. Yd.	7

All joints between existing concrete and new concrete shall be Bonded Construction Joints.
Reinforcement bars designated (E) shall be epoxy coated.
Protective coat shall be applied to the roadway surface of hatched area shown in Plan View.

REHABILITATION PROJECT

DESIGNED	A.R.K.
CHECKED	S.F.M.
DRAWN	S.A.P.
CHECKED	F.J.S.

WEST ABUTMENT

C.H. 16 OVER LAKE FORK
SECTION 04-00209-01-BR
PIATT COUNTY
STATION 29+55

4440 ASH GROVE
SPRINGFIELD, ILL. 62711
(217) 793-8600
oasinc@amvid.com

OZYURT AND STONE, INC.
CONSULTING ENGINEERS

JOB NO.: 0418
FILE: 0418WABUT.DGN
DATE: 05-23-05