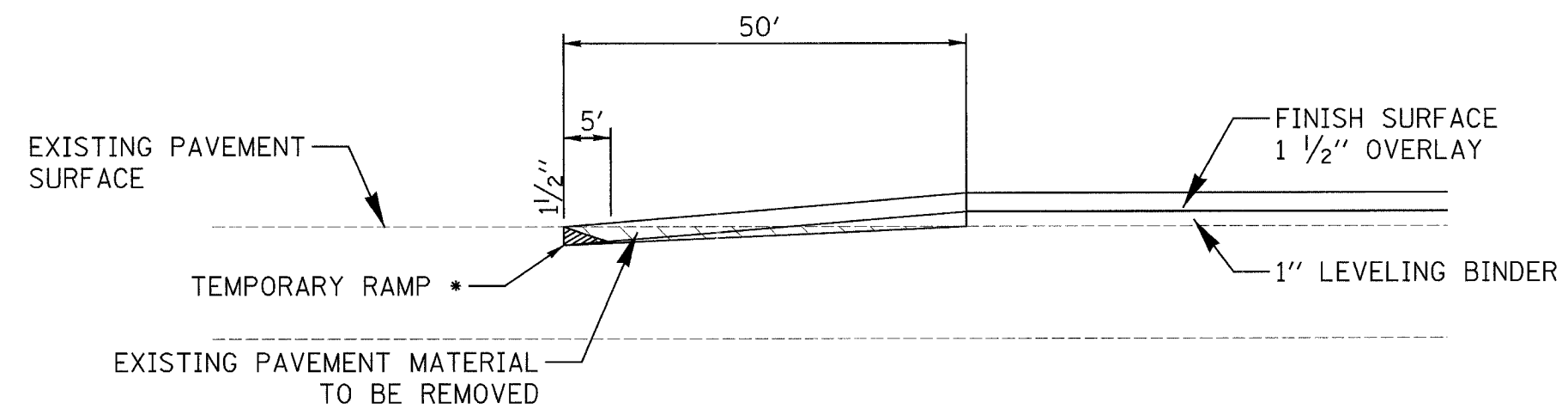


F.A.P. RTE.	SECTION	COUNTY	TOTAL SHEETS	SHEET NO.
750	(112,113) Y, WRS	FAYETTE	178	42
STA.		TO STA.		
FED. ROAD DIST. NO. 7		ILLINOIS FED. AID PROJECT		
CONTRACT NO. 94927				

PLAN	DATE
SUBMITTED	BY
PLOTTED	BY
NOTE BOOK NO.	NO.
RT. OF WAY CHECKED	
ADD FILE NAME	

PLAN	DATE
SUBMITTED	BY
PLOTTED	BY
NOTE BOOK NO.	NO.
RT. OF WAY CHECKED	
ADD FILE NAME	



* TEMPORARY RAMP
 COST OF TEMP. RAMP REMOVAL
 SHALL BE INCLUDED IN THE COST
 FOR PAY ITEM 'TEMPORARY RAMP'

BUTT JOINT DETAIL

- STA. 120+00.00 TO STA. 120+50.00
- STA. 280+32.6 TO STA. 280+82.6
- STA. 283+53 TO STA. 284+03
- STA. 411+57.5 TO STA. 412+07.5
- STA. 413+63.7 TO STA. 414+13.7
- STA. 435+50 TO STA. 436+00

REVISIONS	
NAME	DATE

ILLINOIS DEPARTMENT OF TRANSPORTATION
SPECIAL SHEET
BUTT JOINT DETAIL
 F.A.P. 750 (IL. RTE. 185)
 SECTION 112,113 - FAYETTE CO.
 SCALE: _____ DRAWN BY: CRO
 DATE: JULY 22, 2005 CHECKED BY: RCY