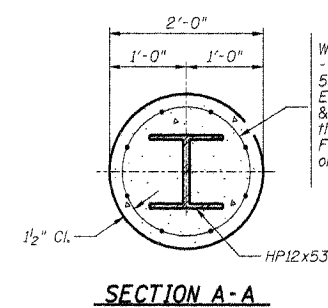
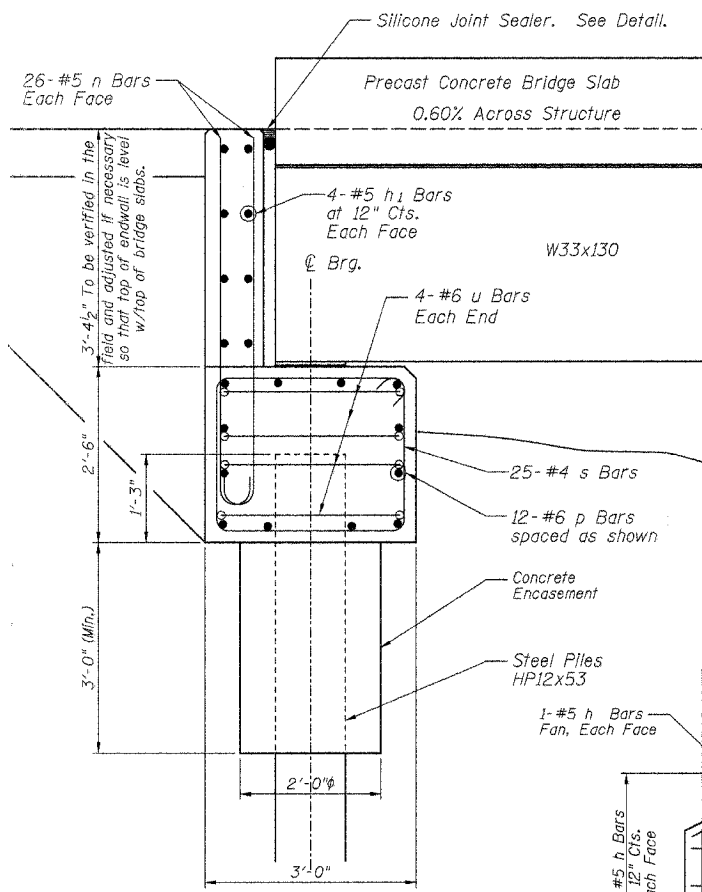
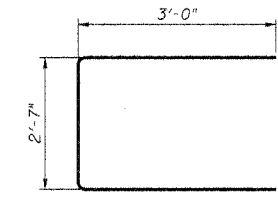
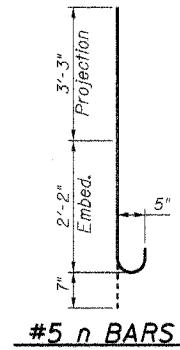
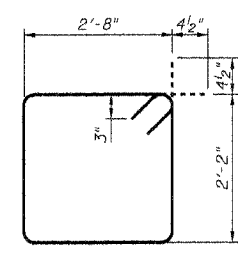
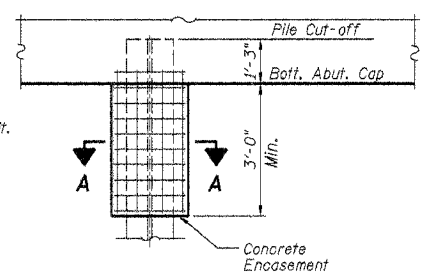


ROUTE	SECTION	COUNTY	TOTAL SHEETS	SHEET NO.
TR 227	98-11120-00-BR	JEFFERSON	35	32
FED. ROAD DIST. NO. 7		ILLINOIS	FED. AID PROJECT	
CONTRACT NO.				



**PILE ENCASEMENT DETAIL**



**PILE DATA**

Type:  
 West Abutment HP12x53  
 East Abutment HP12x53

Number Required:  
 West Abutment 4  
 East Abutment 3 + 1 Test Pile

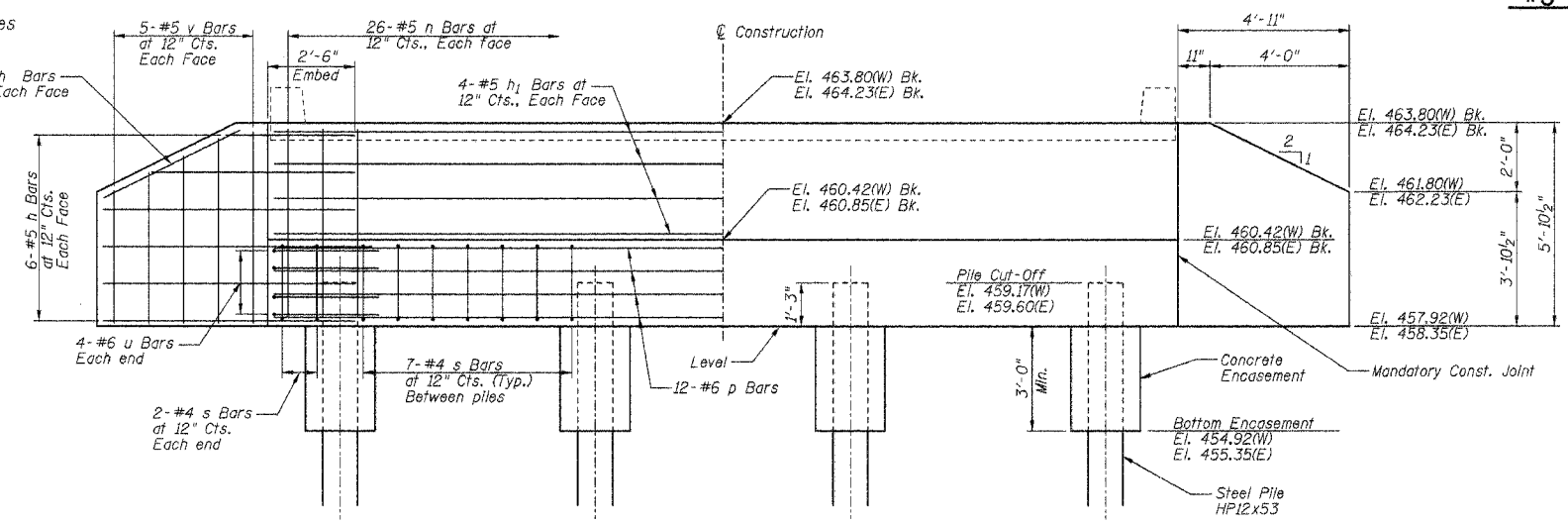
Capacity: Drive to Refusal (Do not overdrive)

Estimated Length:  
 West Abutment 49 foot  
 East Abutment 50 foot

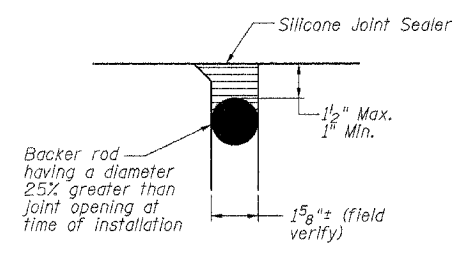
Total Estimated Length:  
 (Does not include Test Pile)  
 Steel HP12x53 346 foot

**BILL OF MATERIALS ONE ABUTMENT w/ WINGWALLS**

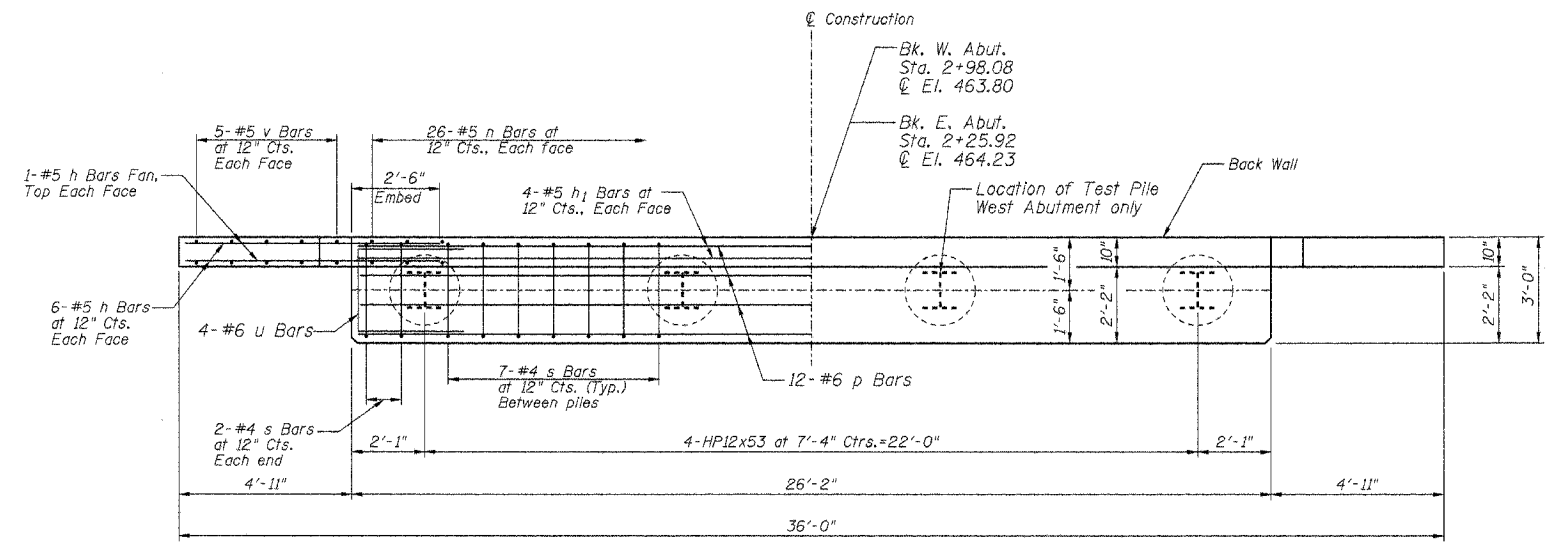
Bar	No.	Size	Length	Shape
h	28	#5	7'-3"	CUT IN FIELD
h <sub>1</sub>	8	#5	25'-10"	
n	52	#5	6'-0"	
p	12	#6	25'-10"	
s	25	#4	10'-5"	
u	8	#6	8'-7"	
v	20	#5	5'-6"	CUT IN FIELD
Concrete Structures			Cu Yd	11.5
Reinforcement Bars			Pound	1610



**ELEVATION**



**SILICONE JOINT SEALER**  
See Special Provisions



**PLAN**

**GENERAL NOTES**

All exposed edges shall have standard 3/4" chamfer, unless otherwise noted.

The Contractor shall drive one (1) Steel HP12x53 Test Pile in a permanent location at the West Abutment as directed by the Engineer before ordering the remainder of the piles.

All clearances between reinforcement bars and form surface shall be 2", unless otherwise noted.

Space reinforcement in cap to miss PPCDB anchor bolts.

(W) = West Abutment.  
 (E) = East Abutment.

**ABUTMENT DETAILS**  
**PROPOSED FIELD ROAD BRIDGE**  
**OVER CASEY FORK**  
**STA. 2+62.00**  
**SECTION 98-11120-00-BR**  
**JEFFERSON COUNTY, ILLINOIS**

Sheet 32 of 35  
 Job No. 52303