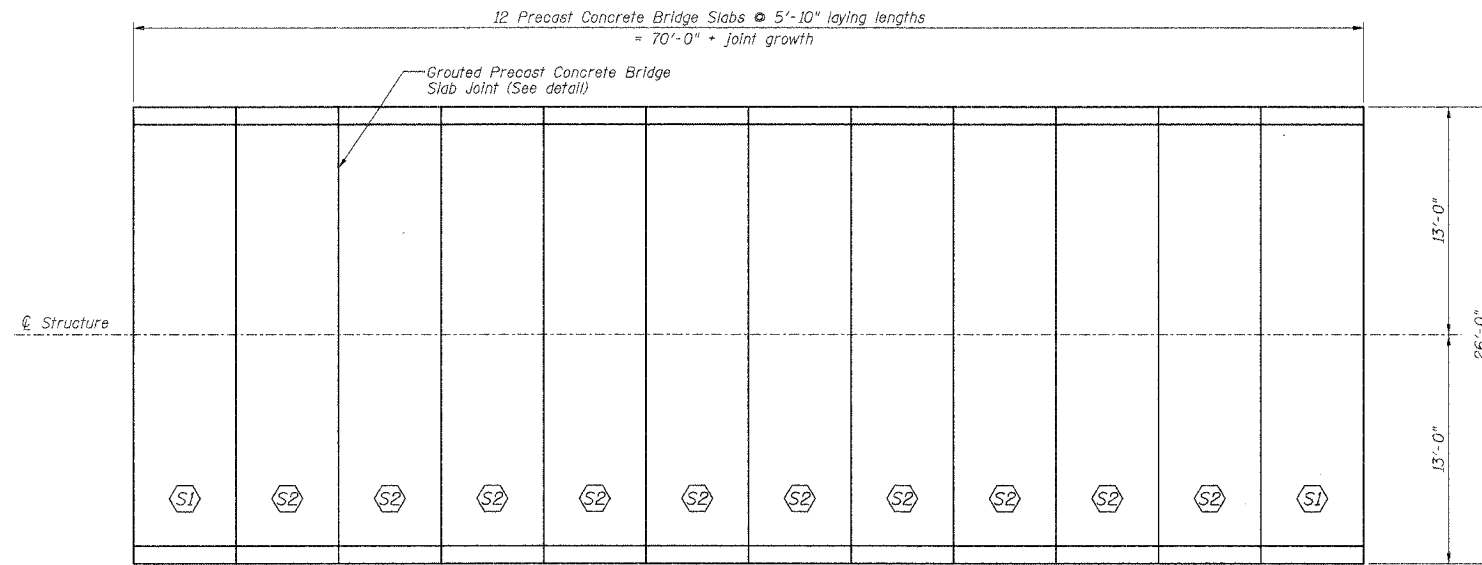
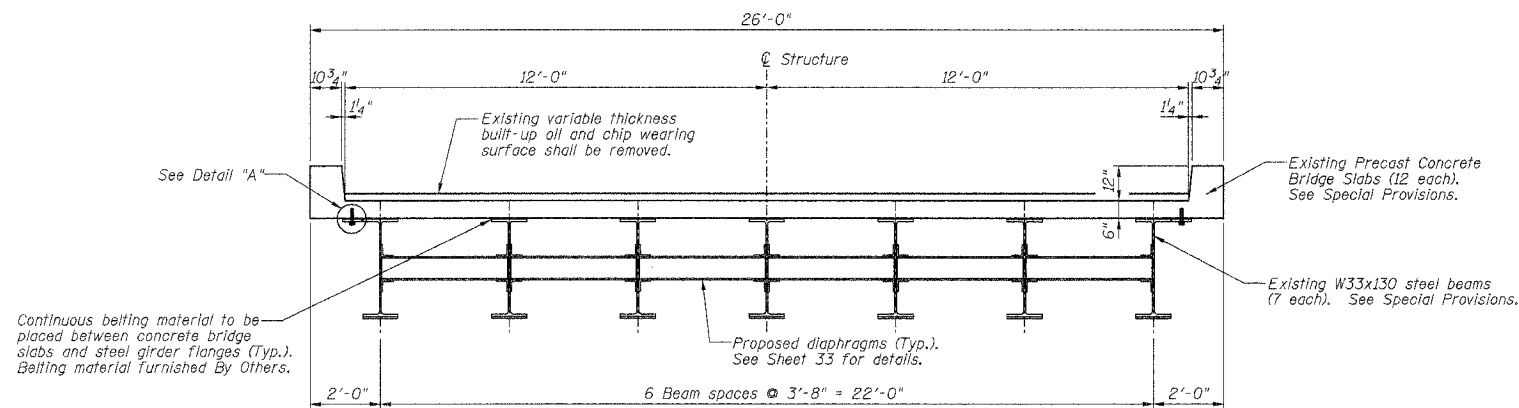


|                                |                |                  |              |           |
|--------------------------------|----------------|------------------|--------------|-----------|
| ROUTE                          | SECTION        | COUNTY           | TOTAL SHEETS | SHEET NO. |
| TR 227                         | 98-11120-00-BR | JEFFERSON        | 35           | 35        |
| FED. ROAD DIST. NO. 7 ILLINOIS |                | FED. AID PROJECT |              |           |
| CONTRACT NO. 95437             |                |                  |              |           |



**PLAN VIEW**

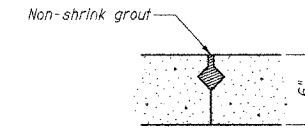
Note: (S1) Slabs have inserts cast in underside of slab for connection to W33x130 steel beams. See Detail A.



**CROSS SECTION THRU BRIDGE**

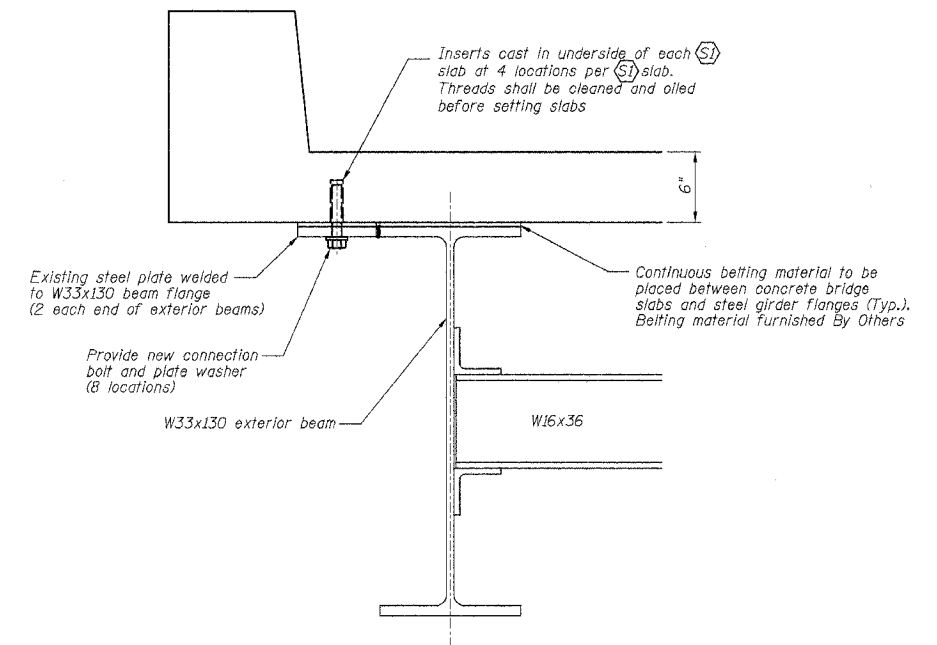
**EXISTING CONCRETE BRIDGE SLAB DATA**

Number: 12 each  
 Laying Length: 5'-10"  
 Weight per bridge slab: 13,100 lbs (does not include existing built-up oil and chip wearing surface)



**EXISTING PRECAST CONCRETE BRIDGE SLAB JOINT DETAIL**

Note: Existing grout keyway joint shall be cleaned prior to setting slabs.



**DETAIL "A"**

**PRECAST CONCRETE BRIDGE SLAB DETAILS  
 PROPOSED FIELD ROAD BRIDGE**

OVER CASEY FORK

STA. 2+62.00

SECTION 98-11120-00-BR

JEFFERSON COUNTY, ILLINOIS

Sheet  
 35  
 of 35  
 Job No. 52303

05/24/2005