

PLANS FOR HENRIETTA STREET STORM SEWER REPLACEMENT

SECTION 04-00102-00-SS
CITY OF EFFINGHAM
EFFINGHAM COUNTY, ILLINOIS
C-97-092-05

HPD-1231(006)

ROUTE NO.	SECTION	COUNTY	TOTAL SHEETS	SHEET NO.
SB1 F.A.	04-00102-00-SS	EFFINGHAM	5	1
FED. ROAD DIST. NO. 7		ILLINOIS	FED. AID PROJECT-MS06091	

INDEX OF SHEETS

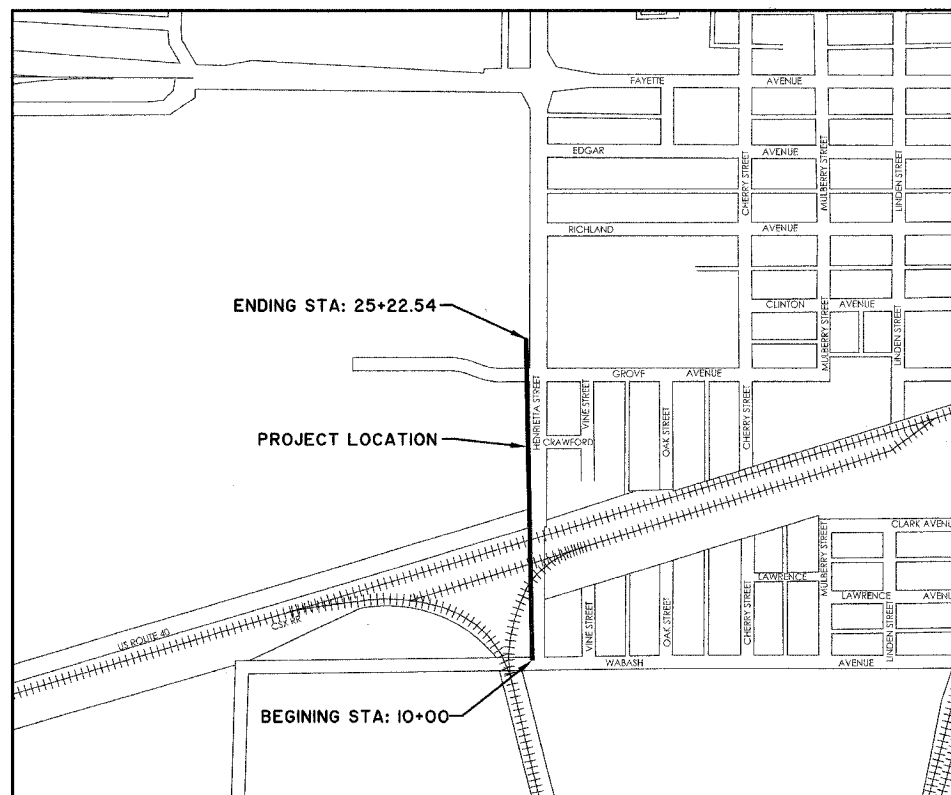
1	TITLE SHEET
2	STRUCTURE DETAIL SHEET
3-5	PLAN AND PROFILE SHEETS

STANDARDS

000001-04	Standard Symbols, Abbreviations, and Patterns
280001-02	Temporary Erosion Control Systems
542606	Reinforced Concrete Pipe Tee
602401	Manhole, Type A
602406-01	Manhole, Type A, 1800mm (72") Diameter
602601	Precast Reinforced Concrete Flat Slab Top
602701	Cast Iron Steps
604001-02	Frame and Lid, Type I
701001-01	Off-Road Operations, 2L, 2W, 4.5m (15') Min. Away For Speeds \geq 45 mph
701006-02	Off-Road Operations 2L, 2W, 4.5m (15') To Pavement Edge For Speed \geq 45 mph
701501-03	Urban Lane Closure, 2L, 2W, Undivided
702001-05	Traffic Control Devices

**HENRIETTA STREET
STORM SEWER REPLACEMENT
SUMMARY OF QUANTITIES**

ITEM NO.	ITEMS	UNIT	QUANTITY
20800150	TRENCH BACKFILL	CY	60
25000900	SEEDING, CLASS I (SPECIAL)	AC	0.5
28000250	TEMPORARY EROSION CONTROL SEEDING	LB	50
28000400	PERIMETER EROSION BARRIER	FT	200
28000500	INLET AND PIPE PROTECTION	EA	5
44000100	PAVEMENT REMOVAL	SY	446
44000300	CURB REMOVAL	FT	118
44004610	SIDEWALK REMOVAL AND REPLACEMENT (SPECIAL)	SF	200
54216597	REINFORCED CONCRETE PIPE TEE, 36" PIPE WITH 15" RISER	EA	2
550A2530	STORM SEWERS, RUBBER GASKET, CLASS A, TYPE 2 15"	FT	29
550A2600	STORM SEWERS, RUBBER GASKET, CLASS A, TYPE 2 36"	FT	927
60221000	MANHOLES, TYPE A, 5'-DIAMETER, TYPE 1 FRAME, OPEN LID	EA	1
60221100	MANHOLES, TYPE A, 5'-DIAMETER, TYPE 1 FRAME, CLOSED LID	EA	5
60223800	MANHOLES, TYPE A, 6'-DIAMETER, TYPE 1 FRAME, CLOSED LID	EA	2
60500040	REMOVING MANHOLES	EA	5
60500105	FILLING MANHOLES	EA	1
67100100	MOBILIZATION	LS	1
70103700	TRAFFIC CONTROL COMPLETE	LS	1
X0301834	STORM SEWER TO BE FILLED	FT	373
X0656300	PAVEMENT REMOVAL AND REPLACEMENT	SY	48
XX000504	RESTORATION WORK	LS	1
Z0048665	RAILROAD PROTECTIVE LIABILITY INSURANCE	LS	1
	STORM SEWER, DUCTILE IRON, CLASS 52 36"	FT	549
XX005488	STEEL CASING BORED AND JACKED 48"	FT	465
	TEMPORARY BYPASS	LS	1
	CONNECTION TO EXISTING STORM SEWER 15"	EA	8
XX003424	CONNECTION TO EXISTING STRUCTURE	EA	1
	CONNECTION TO EXISTING STORM SEWER 24"	EA	3



LOCATION MAP

NOT TO SCALE

LENGTH OF PROJECT

HENRIETTA STREET = 1522.54 Feet (0.29 Mile)
OMISSIONS = NONE

APPROVED	<u>8-29</u> 2005
	<i>Shirley W. Miller</i> CITY ENGINEER
PASSED	<u>9-14</u> 2005
	<i>Maureen D. Costello</i> DISTRICT SEVEN ENGINEER OF LOCAL ROADS & STREETS
Releasing For Bid Based on Limited Review	<u>9-14</u> 2005
	<i>Charles W. Reed</i> DEPUTY DIRECTOR OF HIGHWAYS, REGION FOUR ENGINEER
	STATE OF ILLINOIS DEPARTMENT OF TRANSPORTATION

**HENRIETTA STREET
STORM SEWER REPLACEMENT
SECTION 04-00102-00-SS**

J.U.L.I.E.
JOINT UTILITY LOCATION INFORMATION FOR EXCAVATION
1-800-892-0123

UTILITY NOTE

THE LOCATIONS OF THOSE BURIED AND ABOVEGROUND UTILITIES SHOWN ARE APPROXIMATE, ARE SHOWN FOR CONTRACTOR INFORMATIONAL USE ONLY, AND ARE NOT TO BE REFERENCED FOR CONSTRUCTION PURPOSES. THE IMPLIED PRESENCE OR ABSENCE OF UTILITIES IS NOT TO BE CONSTRUED BY THE OWNER, ENGINEER, CONTRACTOR, OR SUBCONTRACTORS TO BE AN ACCURATE AND COMPLETE REPRESENTATION OF UTILITIES THAT MAY OR MAY NOT EXIST ON THE CONSTRUCTION SITE. BURIED AND ABOVEGROUND UTILITY LOCATION, IDENTIFICATION, AND MARKING ARE THE SOLE RESPONSIBILITY OF THE CONTRACTOR. REROUTING, DISCONNECTION, PROTECTION, ETC. OF ANY UTILITIES MUST BE COORDINATED BETWEEN THE CONTRACTOR, UTILITY COMPANY, AND OWNER. SITE SAFETY, INCLUDING THE AVOIDANCE OF HAZARDS ASSOCIATED WITH BURIED AND ABOVEGROUND UTILITIES, REMAIN THE SOLE RESPONSIBILITY OF THE CONTRACTOR. CONTRACTOR MUST CONTACT J.U.L.I.E. 48 HOURS PRIOR TO THE BEGINNING OF CONSTRUCTION.

CONTRACT NO. 95441

PLANS DATED:
December 4, 2003
REVISED June 18, 2004
REVISED May 24, 2005
REVISED June 20, 2005
REVISED Aug. 29, 2005

MILANO & GRUNLOH ENGINEERS, LLC
14 WEST WASHINGTON
P.O. BOX 897
EFFINGHAM, ILLINOIS 62401
Phone: (217) 347-7282
(800) 677-2794
Fax #: (217) 342-3433
Web Address: www.mgsengineers.com
Design Firm #: 084-00308

File name: S:\DWG\03\03007.dwg\03007 Title.dwg
Plot date: 08/29/05 at 10:00

Lee R. Beckman
My License Expires 11-30-05
P.E. No. 52890



ROUTE NO.	SECTION	COUNTY	TOTAL SHEETS	SHEET NO.
S&L F.A.	04-0002-00-05	EFFINGHAM	5	2
FED. ROAD DIST. NO. 7	ILLINOIS	FED. AID PROJECT- M-502095		
CONTRACT NO. 9544				

DRAINAGE STRUCTURE SCHEDULE

No.	LOCATION	MANHOLE REMOVAL	MANHOLE TO BE FILLED	MANHOLE TYPE A, 6'	MANHOLE TYPE A, 5'	MANHOLE TYPE A, 5'	TEES AND FITTINGS 36"x36"x15"	COLLAR	LID OR GRATE ELEVATION	(IN) INVERT	(OUT) INVERT	REMARKS
1	0' Rt. Sta 10+00.00	1							590.45	586.75(W,S)	586.29(N)	587.25(E)
2	0.34' Rt. Sta 10+48.39											
3	0' Rt. Sta 12+20.31								591.35	584.83(S)	584.63(N)	
4	0' Rt. Sta 12+59.12								594.12	584.51(SW)	584.51(N)	586.60(E)
5	12.33' Rt. Sta 12+55.01		1									
6	0' Rt. Sta 12+65.78											SEAL CASING
7	0' Rt. Sta 13+51.43											SEAL CASING
8	0' Rt. Sta 13+91.33								592.98	584.11(S)	584.11(N)	586.64(W), 586.59(SE)
9	8.85' Lt. Sta 13+93.79	1										
10	19.56' Lt. Sta 13+92.42									586.84(E)		OPEN PIPE
11	0' Rt. Sta 14+31.00											SEAL CASING
12	0' Rt. Sta 15+95.33											SEAL CASING
13	0' Rt. Sta 15+98.83											
14A	22.27' Rt. Sta 16+42.95								593.95	583.49(S)	583.49(NW)	588.77(W)
14B	21.39' Rt. Sta 16+47.96								593.95	583.35(SW)	583.35(NW)	SEAL CASING
14C	0.61' Rt. Sta 17+66.26											SEAL CASING
15	0' Rt. Sta 17+69.70	1							591.85	582.98(S)	582.98(N)	586.80(NE), 586.65(SW), 586.95(SE)
16	4.30' Rt. Sta 17+82.52								591.96		587.96(W)	EXISTING INLET
17	0' Rt. Sta 19+58.26									582.98(S)	582.98(N)	583.29(E)
18	5.44' Rt. Sta 19+58.26								589.41	584.91(W)	584.91(N)	EXISTING INLET
19	0' Rt. Sta 21+36.96	1							588.75	581.88(S)	581.88(N)	584.50(E)
20	6.47' Rt. Sta 21+37.60								587.90	584.60(W)	584.60(N)	EXISTING INLET
21	0' Rt. Sta 25+18.38									580.74(S)	580.74(N)	581.61(E)
22	6.21' Rt. Sta 25+18.38								586.22		582.72(W)	EXISTING INLET
23	0' Rt. Sta 25+22.54										590.72(N)	4' SPAN X 3' RISE BOX
24	0' Rt. Sta 22+55.00								581.52(S)	581.52(N)		SEAL CASING(COLLAR)
25	0' Rt. Sta 23+55.00								581.23(S)	581.23(N)		SEAL CASING(COLLAR)
TOTALS		5	1	2	1	5	2	1				

DRAINAGE PIPE SCHEDULE

	STORM SEWER RUBBER GASKET CLASS A, TYPE 2, 15"	STORM SEWER RUBBER GASKET CLASS A, TYPE 2, 36"	STORM SEWER DUCTILE IRON PIPE, THICKNESS CLASS 52 DIAMETER 36"	STEEL CASING 48" DIAMETER	REMOVE EXISTING STORM SEWER	STORM SEWER TO BE FILLED	SLOPE	TRENCH BACKFILL
	FOOT	FOOT	FOOT	FOOT	FOOT	FOOT (CY)		CU YD
1-3			214			214	-0.30%	35
3-4			34				-0.30%	
4-8				127			-0.30%	
6-7				86			-0.30%	
3-5					35			
5-4					12			
5-9						135 (16)		
10-9					10			
9-8					8			
8-10	18						-1.00%	
8-13				203			-0.30%	
11-12				165			-0.30%	
9-14						238 (27)		
13-14A		41					-0.30%	
14A-15			123	120			-0.30%	
15-17			183		183		-0.30%	
17-19			173		173		-0.30%	
19-24			120					
25-21			162					
20-19	3						-1.54%	5
18-17	4				4		-29.79%	5
22-21	4				4		-17.88%	5
21-23								10
24-25			96	94				
TOTAL	29	927	549	465	643	373 (43)		60

CONNECTION TO EXISTING STORM SEWER & STRUCTURE

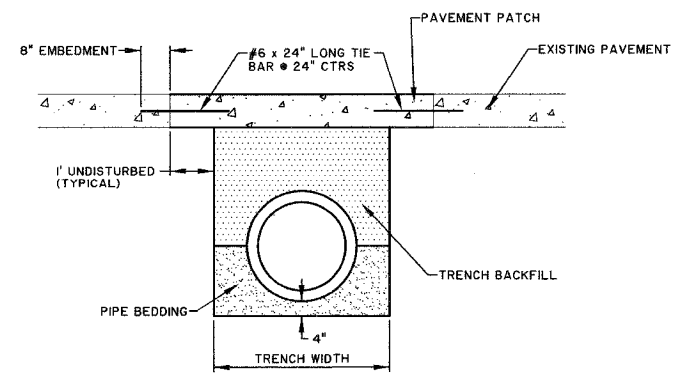
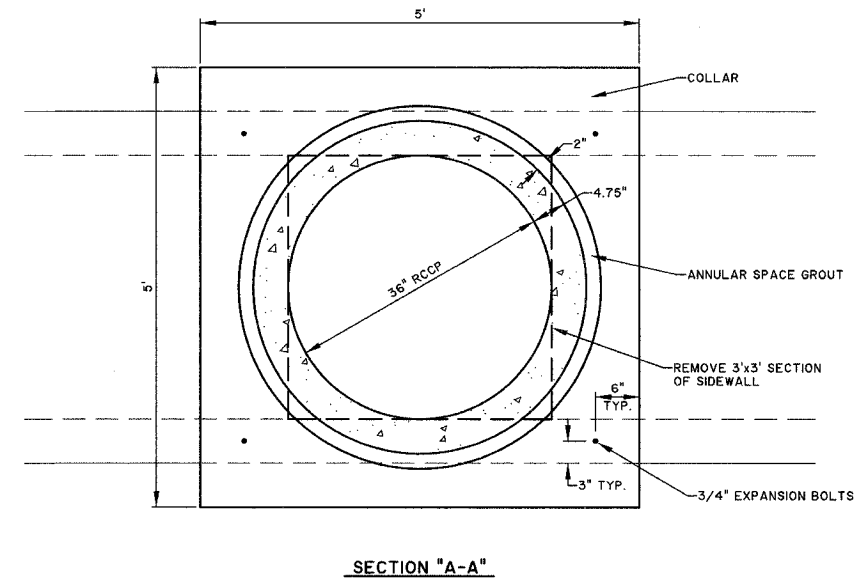
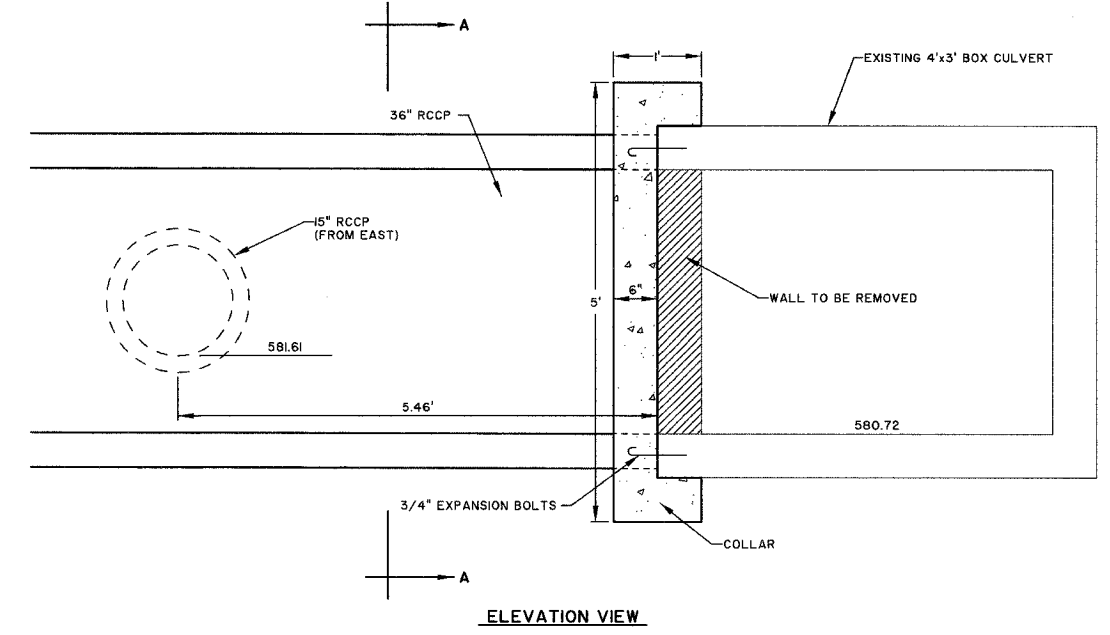
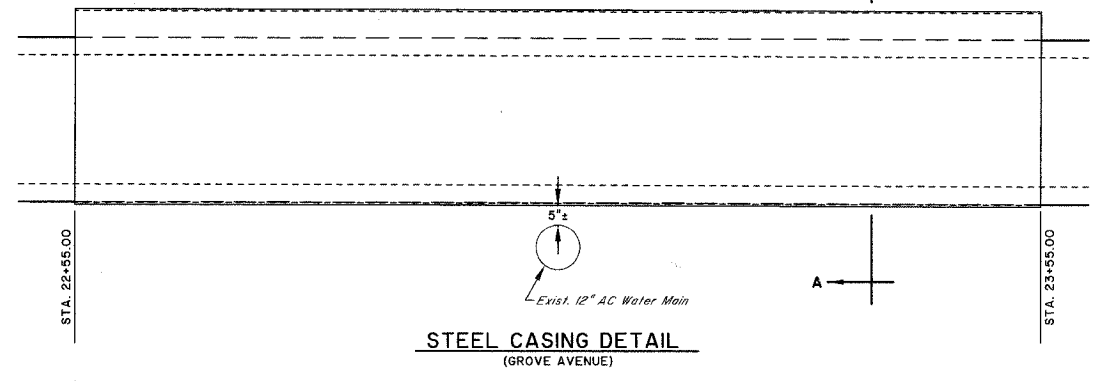
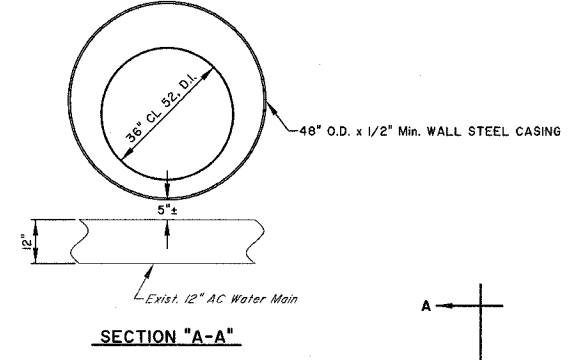
No.	LOCATION	24" RCCP CONNECTION	15" RCCP CONNECTION	4x3 BOX
1	0' Rt. Sta 10+00.00	2	1	
4	0' Rt. Sta 12+59.12			1
8	0' Rt. Sta 13+91.33	1		
15	0' Rt. Sta 17+69.70			3
18	5.44' Rt. Sta 19+58.26			1
20	6.47' Rt. Sta 21+37.60			1
22	6.21' Rt. Sta 25+18.38			1
23	0' RT. 25+22.54			1
TOTAL		3	8	1

PAVEMENT REMOVAL & REPLACEMENT

LOCATION	PAVEMENT REMOVAL & REPLACEMENT SQ. YD.	PAVEMENT REMOVAL SQ. YD.
9+96 - 10+65.01	48	
10+65.01 - 12+05.17		71
12+26.70 - 12+65.78		36
13+51.43 - 14+31		64
15+98.45 - 16+83.78		275
TOTAL	48	446

CURB REMOVAL

LOCATION	CURB REMOVAL L.F.
15+86.98 - 16+12.87	30
15+98.45 - 16+83.78	88
TOTAL	118



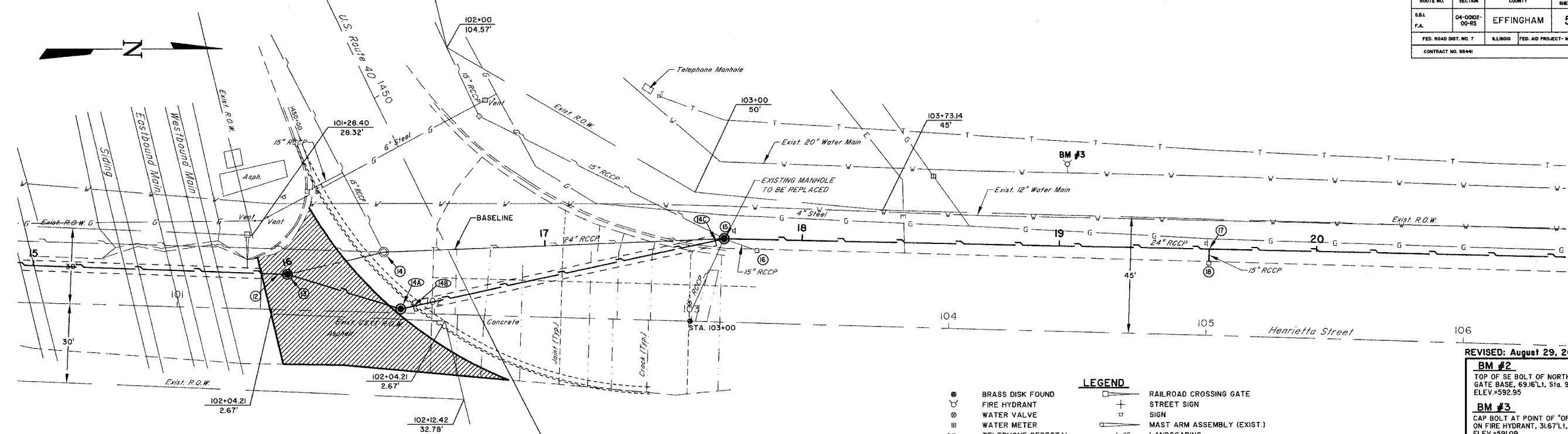
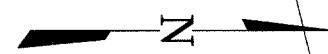
REVISED: August 29, 2005

MILANO & GRUNLOH ENGINEERS, LLC
 84 WEST WASHINGTON
 P.O. BOX 897
 EFFINGHAM, ILLINOIS 62401
 Phone: (271) 347-7282
 (800) 677-2794
 Fax: (271) 342-3433
 Web Address: www.mgsengineers.com
 Design Firm #: 084-003008

STRUCTURE DETAILS
 HENRIETTA STREET STORM SEWER
 EFFINGHAM, ILLINOIS

File name: S:\DWG\03\03007.dwg\03007 Details.dwg
 Plot date: 08/29/05 at 10:00
 P. 8/27/2005

ROUTE NO.	SECTION	COUNTY	TOTAL SHEETS	SHEET NO.
S.A.	04-0002-00-RS	EFFINGHAM	5	4
FED. ROAD DIST. NO. 7		ILLINOIS	FED. AID PROJECT: M-50289	
CONTRACT NO. 9544				



SCALES:
 1" = 20' HOR
 1" = 5' VER

STATION EQUATION
 STA. 102+17.6 (HENRIETTA ST.) =
 STA. 1450+93.7 (U.S. ROUTE 40)

- LEGEND**
- BRASS DISK FOUND
 - ⊕ FIRE HYDRANT
 - ⊙ WATER VALVE
 - ⊞ WATER METER
 - ⊕ TELEPHONE PEDESTAL
 - ⊕ UNDERGROUND TELEPHONE
 - ⊕ GAS VALVE
 - ⊕ GAS MAIN (EXIST.)
 - ⊕ UTILITY POLE
 - ⊕ UTILITY POLE w/LIGHT
 - ⊕ GUY ANCHOR
 - O/H E— OVERHEAD ELECTRIC
 - ⊕ RAILROAD CROSSING GATE
 - ⊕ STREET SIGN
 - ⊕ SIGN
 - ⊕ MAST ARM ASSEMBLY (EXIST.)
 - ⊕ LANDSCAPING
 - ⊕ FENCE
 - ▨ PAVEMENT REMOVAL
 - ▨ SIDEWALK REMOVAL & REPLACEMENT (SPECIAL)
 - ▨ PAVEMENT REMOVAL & REPLACEMENT

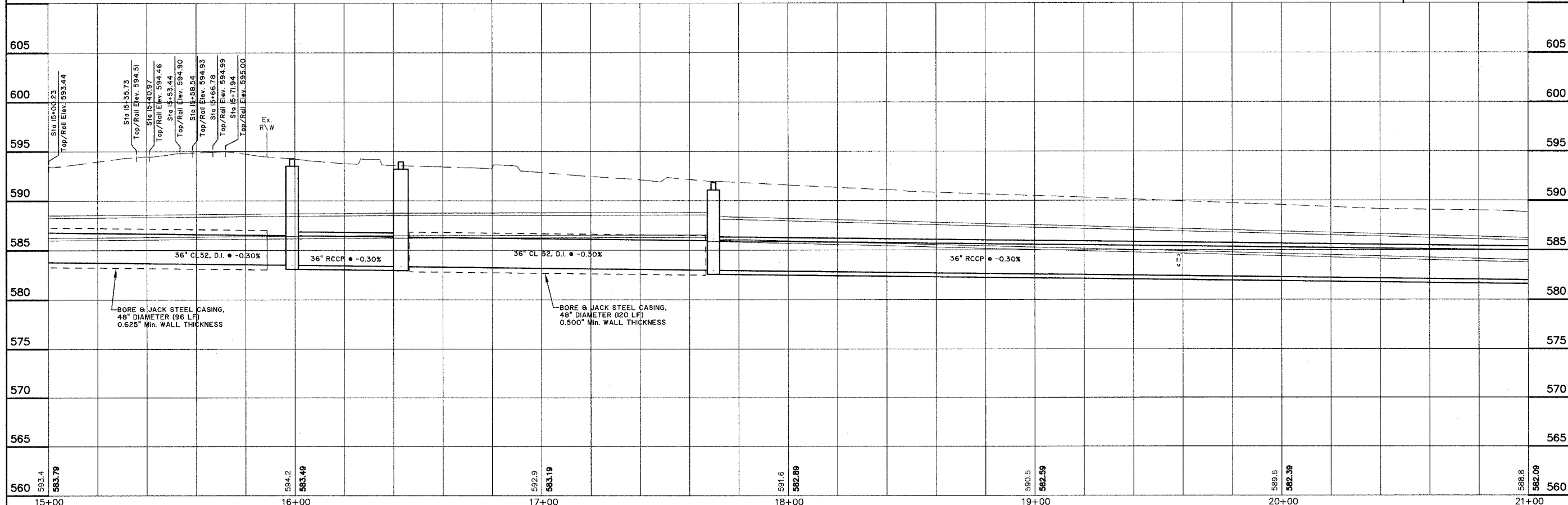
REVISED: August 29, 2005

BM #2
 TOP OF SE BOLT OF NORTH CROSSING
 GATE BASE, 69.16'L1, Sta. 9+96.22
 ELEV.=592.95

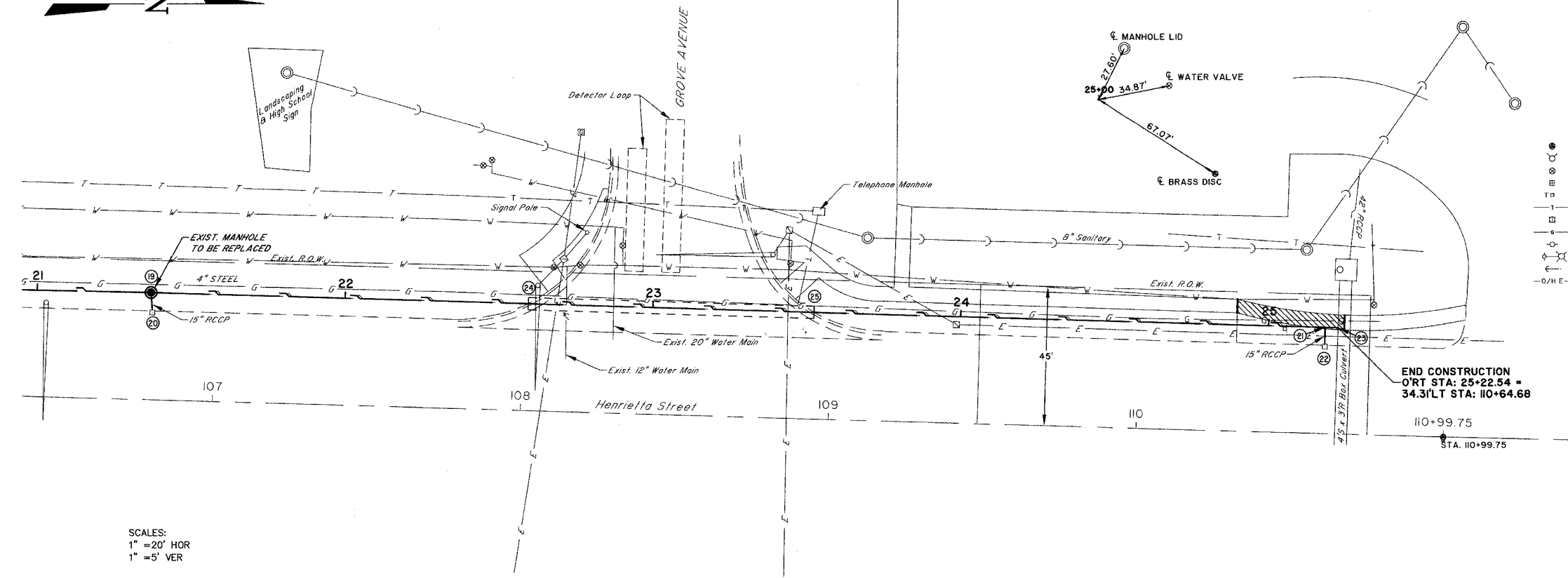
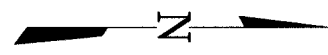
BM #3
 CAP BOLT AT POINT OF "OPEN" ARROW
 ON FIRE HYDRANT, 31.67'L1, Sta. 19+02.47
 ELEV.=591.09

MILANO & GRUNLOH ENGINEERS, LLC
 14 WEST WASHINGTON
 P.O. BOX 837
 EFFINGHAM, ILLINOIS 62401
 PHONE: (217) 347-7282
 (609) 877-2794
 FAX #: (217) 342-3433
 E-mail: mge@milanoandgrunloh.com

File name: S:\DWG\03\03007\dwg\03007.dwg
 Plot date: 08/29/05 at 10:00 P.L. 327,559



ROUTE NO.	SECTION	COUNTY	TOTAL SHEETS	SHEET NO.
S.B.L. P.A.	04-0002-00-RS	EFFINGHAM	5	5
FED. ROAD DIST. NO. 7	ILLMOB	FED. AID PROJECT: M-50509		
CONTRACT NO. 8544				



- LEGEND**
- BRASS DISK FOUND
 - FIRE HYDRANT
 - ⊕ WATER VALVE
 - ⊕ WATER METER
 - ⊕ TELEPHONE PEDESTAL
 - ⊕ UNDERGROUND TELEPHONE
 - ⊕ GAS VALVE
 - ⊕ GAS MAIN (EXIST.)
 - ⊕ UTILITY POLE (EXIST.)
 - ⊕ UTILITY POLE w/LIGHT
 - ⊕ GUY ANCHOR
 - O/H E- OVERHEAD ELECTRIC
 - ⊕ RAILROAD CROSSING GATE
 - ⊕ STREET SIGN
 - ⊕ SIGN
 - ⊕ MAST ARM ASSEMBLY (EXIST.)
 - ⊕ HANDHOLE
 - ⊕ GULFBOX
 - L/S LANDSCAPING
 - ⊕ FENCE
 - ▨ PAVEMENT REMOVAL
 - ▨ SIDEWALK REMOVAL & REPLACEMENT (SPECIAL)
 - ▨ PAVEMENT REMOVAL & REPLACEMENT

SCALES:
 1" = 20' HOR
 1" = 5' VER

REVISED: August 29, 2005

BM #3
 CAP BOLT AT POINT OF "OPEN" ARROW
 ON FIRE HYDRANT, 31.67' Lt, Sta. 19+02.47
 ELEV.=591.09

MILANO & GRUNLOH ENGINEERS, LLC
 84 WEST WASHINGTON
 P.O. BOX 897
 EFFINGHAM, ILLINOIS 62401
 PHONE: (217) 947-7262
 (800) 577-2774
 FAX #: (217) 342-3433
 E-mail: mgeengineers@engineers.com

File name: S:\DWG\03\03007\dwg\03007.dwg
 Plot date: 08/29/05 at 10:00 F.B. 827,559

